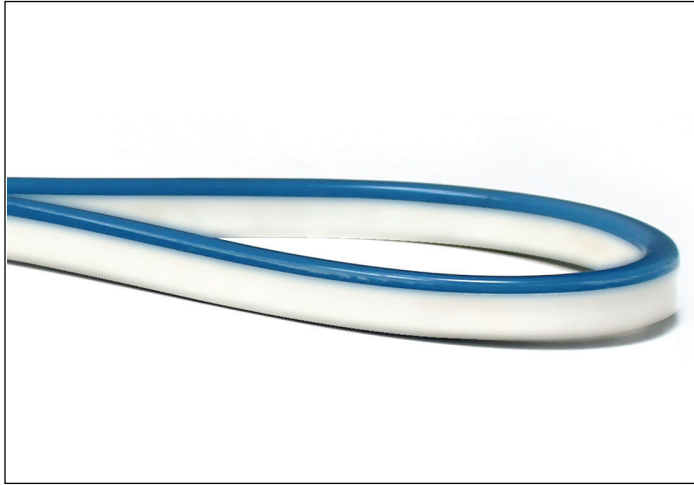


CAT: FEET:

TYPE: PROJECT:



Tivoli was one of the first companies to offer a bendable LED Neon replacement solution. Mini Flex Direct™ is a new smaller profile version which is constructed of two types of PVC; flexible PCB with SMD mounted LEDs for reliability and uniformity of light. Used across America for outlining structures, feature delineation and other applications where traditional glass neon used to be utilized.

- Low Voltage (24V DC)
- High quality SMD LEDs on flexible PCB
- Offered in 3 white color temps and 3 primary colors.
- Bendable
- Max runs up to 48' with Class 2 power supplies
- Long life LEDs
- UV Stabilized for exterior use
- Optional aluminum mounting channel available
- Use mounting clips for curved or arched applications

Mounting

Mounting channel available in vertical or horizontal notched (for curved applications) or rigid. Can be easily installed into grooves or flat surfaces.

Applications

Indoor/ Outdoor architectural. Ideal for signage

Warranty

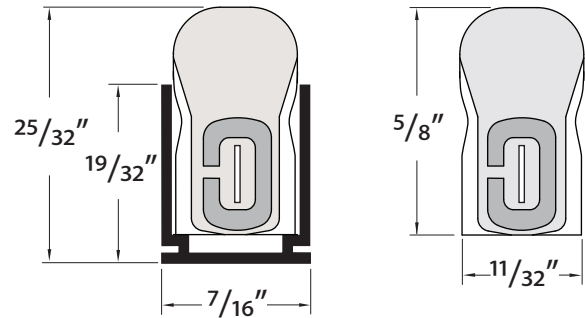
3 years



Technical Information

Color	Red	Green	Blue	Whites
Lumens/ft	N/A			30
Watts/ft	2			2
Lumen/ Watt	N/A	N/A	N/A	34
Kelvin Temp	2700K, 4000K, 5000K, Red, Blue, Green			
Rated Life	Red (100,000 hrs.), Blue/Green (50,000 hrs.), Whites (40,000 hrs.)			
Max Run Length	48'			
Order Increments	1'			
Operating Voltage	24V DC			
Storage Temperature	0°C(32°F) to 45°C(113°F)			
Power Supply Requirement	Class 2			
Dimmable	Yes			

Profile Dimensions



Ordering Information

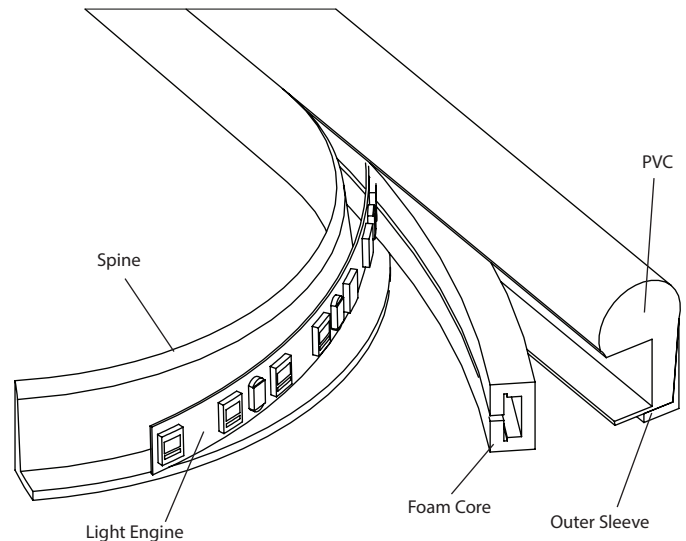
PRODUCT CODE: - LED COLOR: - VOLTAGE:

MFLXD = Mini Flex Direct
 27 = 2700K
 40 = 4000K
 50 = 5000K
 RD = Red
 BL = Blue
 GR = Green

24 = 24V DC

IMPORTANT! Specify product cut length at time of ordering. Field cutting product will void UL listing and warranty.

Note: Read installation instructions prior to ordering. Mishandling of product voids all warranties.





Recommended Power Supplies

ADNM - NON DIMMING

DESCRIPTION	CAT NO	APPLICATION	PRIMARY VOLTAGE	SECONDARY VOLTAGE	CIRCUIT BREAKERS	MAX LOAD	CIRCUIT CAPACITY
ADNM Series Class 2 Transformer	ADNM-90-1-4-24-D	Indoor / Outdoor	100-277V AC 5ø60 Hz	24V DC	1	90W	3.75A
	ADNM-120-1-4-24-D				1	96W	4A
	ADNM-240-2-4-24-D				2	2x96W	2x4A
	ADNM-320-3-4-24-D				3	3x96W	3x4A

ADNM - 0-10V DIMMING

DESCRIPTION	CAT NO	APPLICATION	PRIMARY VOLTAGE	SECONDARY VOLTAGE	CIRCUIT BREAKERS	MAX LOAD	CIRCUIT CAPACITY
ADNM Series Class 2 Transformer	ADNM-90-1-4-24-DOT	Indoor / Outdoor	100-277V AC 5ø60 Hz	24V DC	1	90W	3.75A
	ADNM-120-1-4-24-DOT				1	96W	4A
	ADNM-240-2-4-24-DOT				2	2x96W	2x4A
	ADNM-320-3-4-24-DOT				3	3x96W	3x4A

ADNM - DMX SINGLE ADDRESS

DESCRIPTION	CAT NO	APPLICATION	PRIMARY VOLTAGE	SECONDARY VOLTAGE	CIRCUIT BREAKERS	MAX LOAD	CIRCUIT CAPACITY
ADNM Series Class 2 Transformer	ADNM-90-1-4-24-DIN	Indoor / Outdoor	100-277V AC 5ø60 Hz	24V DC	1	90W	3.75A
	ADNM-120-1-4-24-DIN				1	96W	4A
	ADNM-240-2-4-24-DIN				2	2x96W	2x4A
	ADNM-320-3-4-24-DIN				3	3x96W	3x4A

ADNM - DMX MULTI ADDRESS

DESCRIPTION	CAT NO	APPLICATION	PRIMARY VOLTAGE	SECONDARY VOLTAGE	CIRCUIT BREAKERS	MAX LOAD	CIRCUIT CAPACITY
ADNM Series Class 2 Transformer	ADNM-240-2-4-24-DIN-2	Indoor / Outdoor	100-277V AC 5ø60 Hz	24V DC	2	2x96W	2x4A
	ADNM-320-3-4-24-DIN-3				3	3x96W	3x4A

INFINITY - MLV / ELV / 0-10V / PWM / TRIAC

DESCRIPTION	CAT NO	APPLICATION	PRIMARY VOLTAGE	SECONDARY VOLTAGE	CIRCUIT BREAKERS	MAX LOAD	MIN LOAD	CIRCUIT CAPACITY
Infinity Series Class 2 Transformer	INF-J-30-1-1.3-24	Indoor / Outdoor	100 - 277V AC	24VDC	1	30W	3W	1.3A
	INF-J-60-1-2.5-24				1	60W	6W	2.5A
	INF-J-96-1-4-24				1	96W	9W	4A
	INF-J-192-2-4-24				2	2x96W	2x9W	2x4A
	INF-J-288-3-4-24				3	3x96W	3x9W	3x4A

Recommended Dimmers

DIMMING - 0-10V

DESCRIPTION	CAT NO	APPLICATION	INPUT VOLTAGE	OUTPUT VOLTAGE	MAX LOAD
0-10V Dimmer	DIM-LD-010	Indoor	24V DC	24V DC	30 mA max. output (sink only)

DIMMING - MLV

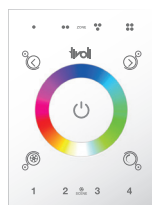
DESCRIPTION	CAT NO	APPLICATION	INPUT VOLTAGE	OUTPUT VOLTAGE	MAX LOAD
MLV Dimmer	N-600	Indoor	120V AC	120V AC	450W
	N-1000				800W
	N-1500				1200W
	D-600				450W
	M-600				450W
	M-1000				800W

DIMMING - ELV

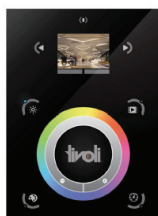
DESCRIPTION	CAT NO	APPLICATION	INPUT VOLTAGE	OUTPUT VOLTAGE	MAX LOAD
ELV Dimmer	ME-600	Indoor	120V AC	120V AC	450W
	DE-300				300W

DIMMING - DMX

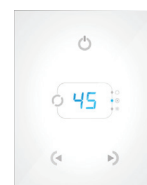
DESCRIPTION	CAT NO	APPLICATION	INPUT VOLTAGE	OUTPUT PROTOCOL	MAX UNIVERSE
DMX Controller	TVOQ-1-WH	Indoor	5V DC	DMX 512	1
	TVOQ-2-BK		6V DC		
	TVOQ-2-WH				
	TVOQ-10-BK-7		6-7V DC		2
	TVOQ-10-WH-7				



TVOQ-1-WH
WH (White only)



TVOQ-10-XX-7
XX = BK (Black), WH (White)



TVOQ-2-XX
XX = BK (Black), WH (White)

Factory Installed Lead End Prep



MFLXD-LEAD

Straight Power Feed Lead:
Factory installed 5' Power Lead.

Mounting Accessories



MFLXD-CHAN-3

Mini Flex Direct aluminum
mounting channel 3' length.



MFLXD-MTCLIPS

Mini Flex Direct aluminum
mounting clip 2"



MFLXD-NOTCHH-3

Mini Flex Direct Channel
Horizontal notched channel
for Flex Direct- 3' length
(lateral bend to 3" minimum
radius).



MFLXD-NOTCHV-3

Mini Flex Direct Channel
Vertical notched channel for
Flex Direct - 3' length. Concave
bend to 12" minimum radius.
Convex bend to 12" minimum
radius



FLXD-SIL-GE-10

GE Silicone Tube
Use to adhere Mini Flex Direct
into entire run length of
channel. 25' per 10oz tube.