



LIGHTING IS OUR BUSINESS. COLOR IS OUR CONCERN.

2018 TivoBar Quick Guide



Tivoli, LLC
15602 Mosher Ave.
Tustin, CA 92780

(ph) 714.957.6101
(fx) 714.427.3458
(e) sales@tivoliusa.com

www.tivolilighting.com

As the market leader in emerging LED linear lighting, Tivoli has been providing visible delineation or concealed illumination effects for over forty five years. We offer a complete line of architectural and auditorium linear LED based lighting products along with a dedicated team of industry experts that consistently deliver innovative and award winning solutions.

Our products are flexible, adaptable and energy saving LED based linear lighting, for both indoors and out. Most other commercial manufacturers in the US are focused on higher output led illumination. Tivoli is focused on low wattage, highly energy efficient, linear LED systems for accent cove and niche lighting applications. We specialize in small source applications that create the sparkle to delineate a project.

TivoBar

Tivobar™ replaces 2' or 4' selected cross tees of the grid suspension system with a state of the art integrated multi-level lighting system.



TivoBar™

The cutting-edge TivoBar can be interchanged with the T-bars to illuminate all amphitheater and auditorium applications.

- Light can be dispersed around a space to achieve even illumination and desired light levels exactly where they are needed.
- Compatible with intelligent building control system and DC power sources that help designers meet green building requirements.
- Shap of the Tivo-Bar is designed to quickly transfer all heat generated by the LED away from its surrounding area.
- 2 circuit dimming capability with commercially available dimming controls (by others)
- With its 110-277V DC, /24V DC universal transformer, the TivoBar can be applied to any ceiling T-bar suspension grid.

Simple

Easy installation that can be conveniently repositioned when space is re-purposed.

Clean

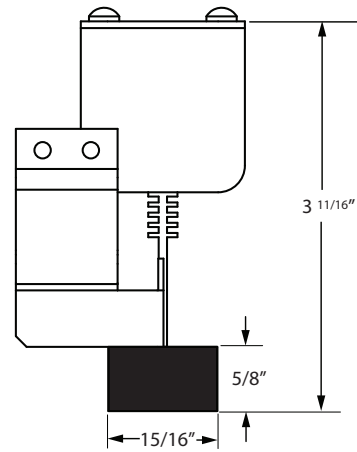
Uninterrupted use of ceiling panels for a uniform ceiling design, better acoustics and better ceiling light reflectance.

Effective

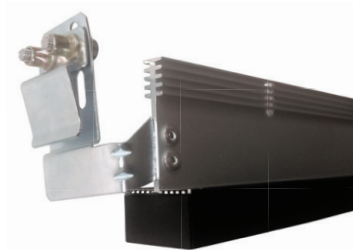
Compatible with intelligent building control systems and DC power sources that help designers meet green building requirements.

Smooth

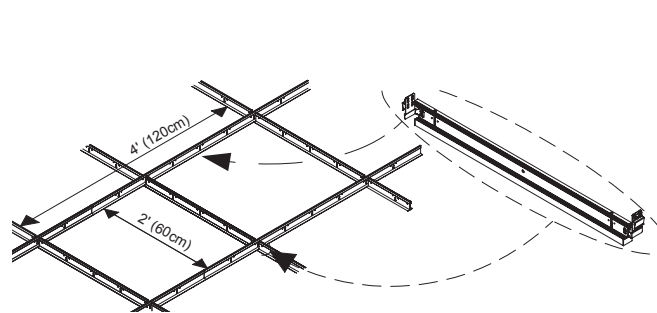
Lighting can be dispersed around a space to achieve even foot candles and desired light levels.



Easy application with universal compatible clips at each end of the fixture allow installation to be at a fraction of time compared to competitors system to any standard 15/16" T-Bar suspension grid.



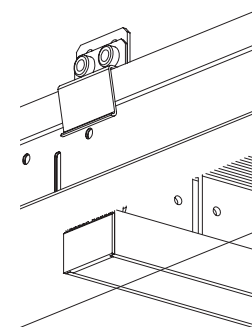
Tivo-Bar replaces 2' or 4' selected cross tees of the grid ceiling suspension system where light is desired giving architects and designers numerous options in lighting layout.



Cut-Off Reflector lens dims separate from Diffusing reflector for multiple dimming options (House Lights, Movie Run, Cleaning). Dims 0-10V. Provides 55° beam angle

Nichia 757 LED's provided longevity, durability and reliability with micro prismatic diffusing lens. Diffusing lens dims separate from Cut-Off reflector for multiple dimming options (House Lights, Movie Run, Cleaning). Dims 0-10V. Provides 50°-60° beam angle.

With its universal clips it can be applied onto existing T-bar suspension grid.



TivoBar	24"	48"
Total Lumen (Diffused/Direct)	615/262	1230/525
*Lumens	860	1720
*Watts	17W (6W/11W)	34W (12W/22W)
*Lumen/Watt	51	
CRI	>80/TYP83	
Kelvin Temp	3000°K, 4000°K, *3500°K, *4500°K	
Rated Life	50,000 hrs.	
Ordering Increment	2', 4'	
Operating Voltage	24V DC	
Power Supply	Class 2	
Dimming	Yes	

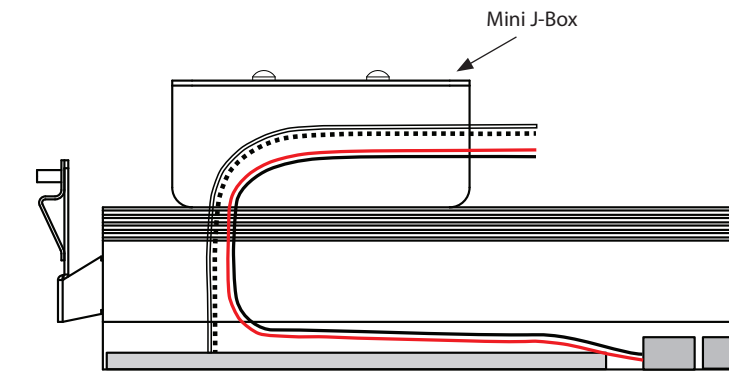
*Available by request only, consult factory

Tivobar™ Fixture Length	Max fixtures per circuit
2 foot fixture	5
4 foot fixture	2

0-10V DIMMING

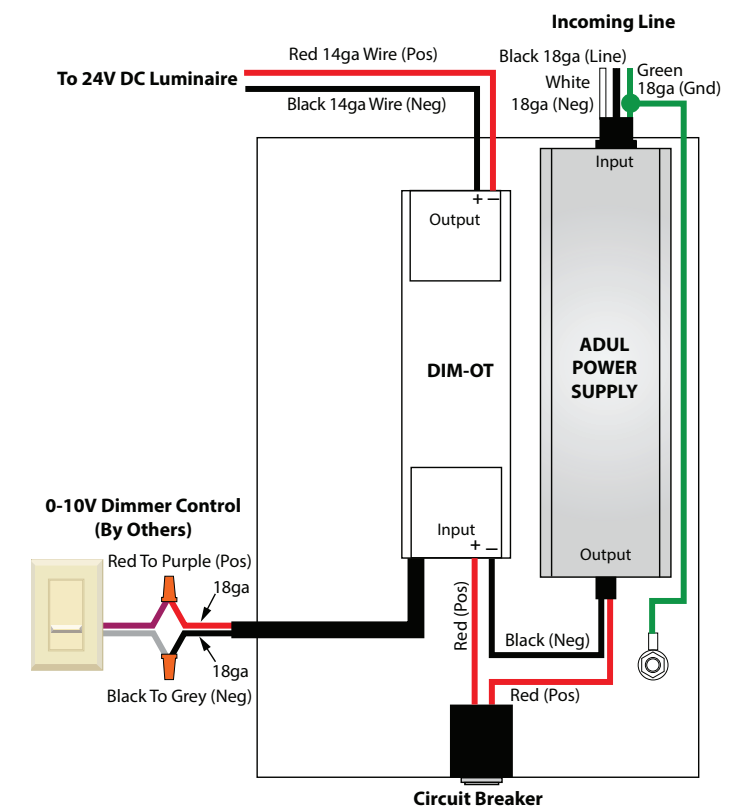
CAT NO	PRIMARY AND SECONDARY	TOTAL WATTAGE / AMPS PER BREAKER	DIMENSIONS	LISTING
ADUL-120-1-4-24-DOT	120-277V AC 24V DC	96W / 1X4A	12"W X 12"L X 4.25"D	UL
ADUL-240-2-4-24-DOT	120-277V AC 24V DC	192W / 2X4A	12"W X 12"L X 4.25"D	UL
ADUL-320-3-4-24-DOT	120-277V AC 24V DC	288W / 3X4A	12"W X 12"L X 4.25"D	UL

Two Independent Circuits For Dimming



White and White/Black cables are for the connection and control of the two diffusing lenses at either end of fixture.

Black and Red cables are for the connection and control of the central reflector section.



Ordering Information *Only for Auditorium & Amphitheater Applications

PRODUCT CODE	GRID TYPE	LED TYPE	MOUNT CLIPS	LENGTH	VOLTAGE	REQUIRED POWER SUPPLY
TVBR TVBR = TivoBar	24	30 = 3000°K +/-100°K 35 = 3500°K +/-100°K (Special Order) 40 = 4000°K +/-100°K 45 = 4500°K +/-100°K (Special Order)	U U = Universal	2 = 24" 4 = 48"	24 24 = 24V DC	PSU See Page 1