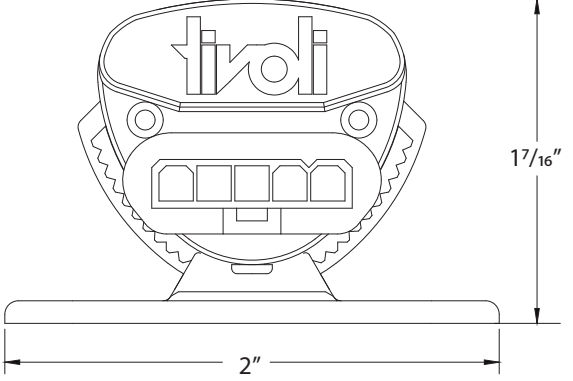


Profile Dimensions



Please verify the contents of the packages!
 Please read instructions entirely before starting installation
 Be sure power is turned off before installing or modifying the system
 Call Tivoli, LLC tech support with questions

Caution: Vast Cove Light™ fixture is designed to work with clean 100-277V AC power only. Use of any other power source will cause damage, shorten the life of the fixture and will void the warranty. It is the manufacturer's recommendation to assure a cumulative leakage current of less than 3.5mA on the control unit.

Do not conceal or extend exposed conductors through a building wall as per local electrical code.

Warning: With any luminaire for any application, basic safety precautions should always be followed to reduce the risk of fire, electric shock and personal injuries.

THIS LIGHTING SYSTEM MUST BE INSTALLED IN ACCORDANCE WITH APPLICABLE INSTALLATION CODES BY A PERSON FAMILIAR WITH THE CONSTRUCTION AND OPERATION OF THE PRODUCT AND THE HAZARDS INVOLVED.
CE PRODUIT DOIT ÊTRE INSTALLÉ SELON LE CODE D'INSTALLATION PERTINENT, PAR UNE PERSONNE QUI CONNAÎT BIEN LE PRODUIT ET SON FONCTIONNEMENT AINSI QUE LES RISQUES INHÉRENTS.



Pre-Installation Instructions

WARNING! Risk of Electrical Shock. Disconnect power before installing, wiring or servicing fixtures. Fixture has no user-serviceable parts. Do not open fixture compartments, except as noted in this document. Do not apply paint, lubricants or other coatings to fixture, suspension cables or fasteners.

Pour éviter les risques de chocs électriques, débranchez l'alimentation avant l'installation, le câblage ou l'entretien des luminaires. Le luminaire ne comprend aucun élément réparable par l'utilisateur. N'ouvrez pas les compartiments du luminaire, sauf indication contraire dans ce document. N'appliquez pas de peinture, de lubrifiants ou d'autres revêtements sur le luminaire, les câbles de suspension ou les attaches.

Note: Vast Cove Light™ is offered in 12" and 48" lengths. Pay close attention to the installation requirements for the model you are installing.

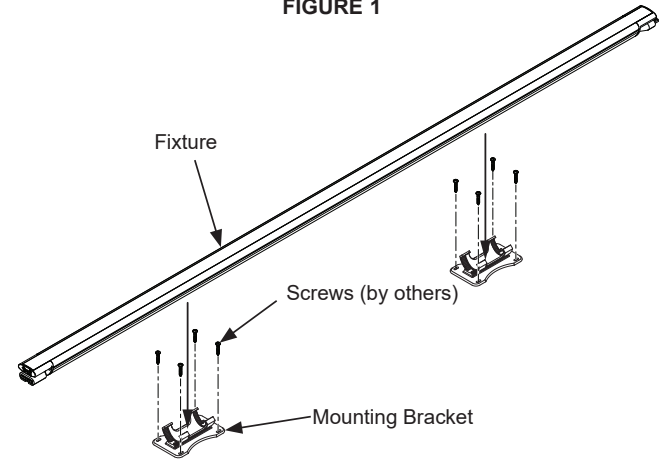
Step 1: Verify electrical plan and ensure all hardware is present. Plan layout for single or multiple fixtures. Vast Cove Light™ is rated for dry/damp locations and maximum run length is 100'. Fixtures may be connected together with no jumpers or they may be spaced apart using available 1' or 5' Jumpers. (See page 2, Installing Multiple Fixtures)

Step 2: Position fixture on mounting surface and mark off mounting holes. (See FIGURE 2)
48" model: Includes two Mounting Brackets. Slide brackets along fixture until there is 36" between centers of brackets.

7170803

Installation Instructions

FIGURE 1



Step 1: Remove brackets from the bottom of the Vast Cove Light™ by pulling out slightly on the clamping sides of the bracket.
Step 2: Install Mounting Brackets to mounting surface using **panhead screws for mounting plastic parts to wood or drywall (by others).**
Step 3: Attach Vast Cove Light™ fixture to Mounting Bracket by pressing the fixture down over the brackets and snapping into place.

Mounting Bracket Installation Template

FIGURE 2

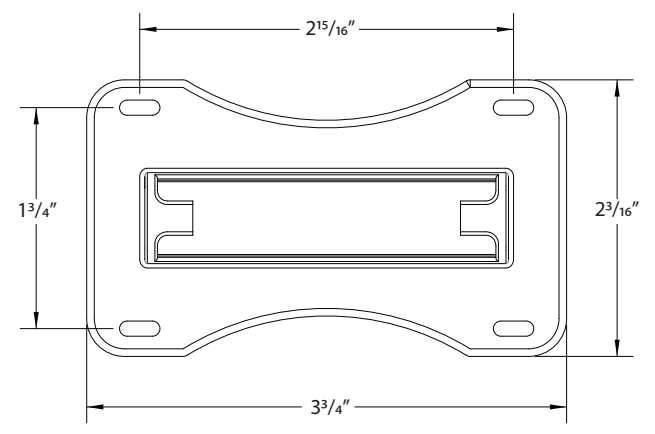
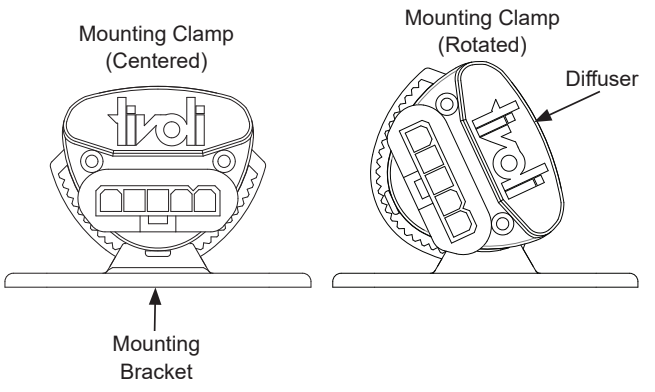


FIGURE 3



Step 4: Rotate the adjustable mounting clamp on the Bracket to provide the best angle of illumination for the application. Grasp the fixture and carefully pull up slightly to disengage the teeth and rotate to the desired position.
48" model: Match the angle of rotation on both Mounting Brackets.

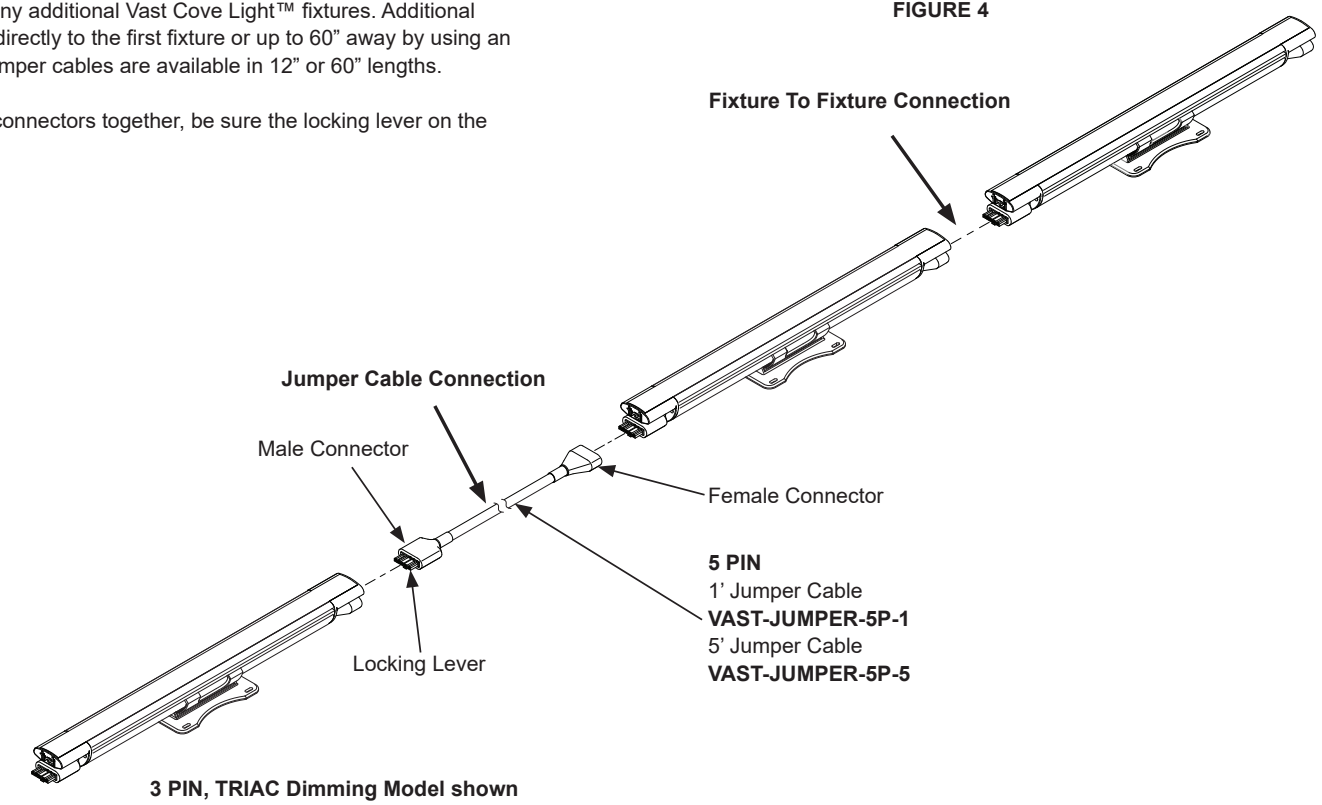
Note: It may be easier to remove the fixture from the brackets and then rotate the brackets to the desired position.

Connection Options

Step 1: Locate and install any additional Vast Cove Light™ fixtures. Additional fixtures may be connected directly to the first fixture or up to 60" away by using an accessory jumper cable. Jumper cables are available in 12" or 60" lengths.

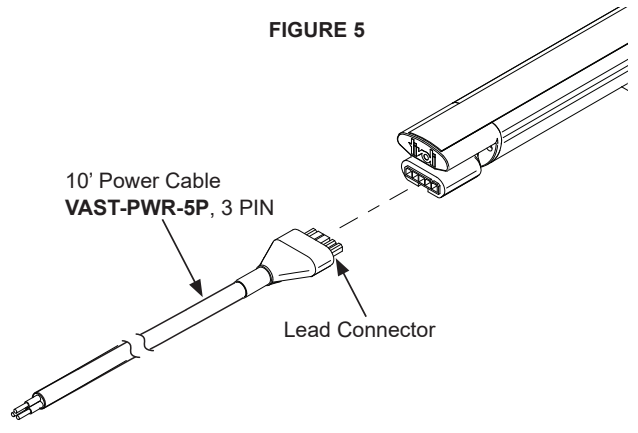
Step 2: When assembling connectors together, be sure the locking lever on the male connector is engaged.

FIGURE 4



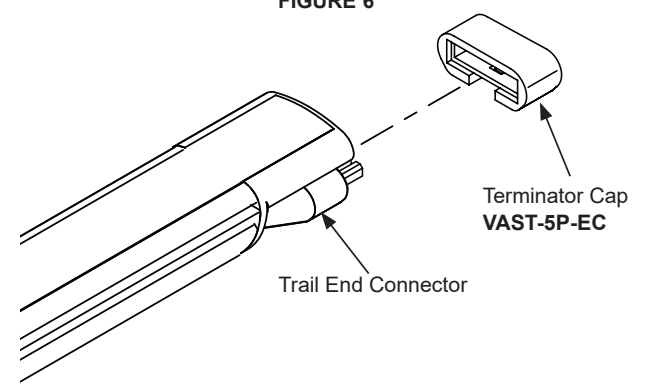
Connecting to Line Voltage

FIGURE 5



Connecting to 120V AC Power
Step 1: Connect the accessory Power Cable (10') to the female connector on the lead Vast Cove Light™ unit.

FIGURE 6



Step 2: Insert Terminator Cap into the male Trail End Connector.

WARNING! Danger of Electrical Shock. Be sure power is turned off before proceeding.

Step 3: Connect Power Cable wires to 100-277V AC line .
 Green: Ground
 White: Common
 Black: Line
 Red: Dimming +
 Orange: Dimming -

Step 4: Restore power.

LIGHT SOURCE	VOLTAGE	WATTS PER FOOT	MAX CONTINUOUS RUN LENGTH
Vast Cove Light™	100-277V	5.29W	100 ft

Warnings

Do not cover any luminaire as the covering may cause it to overheat. Do not install this lighting system where the exposed bare contacts can be shorted or contact any conductive material to reduce the risk of fire and burns. Do not install any luminaire closer than 6" (15.25cm) from any curtain, or similar combustible material.

Do not use any luminaire if damaged; such as, broken globe, loose connections, or frayed wire insulation. Inspect periodically.

Do not submerge any luminaire in liquid. Use waterproof connectors for all outdoor applications.

Do not secure any luminaire with staples, nails or like means that might damage the wire insulation. Secure it by using screws through the base.

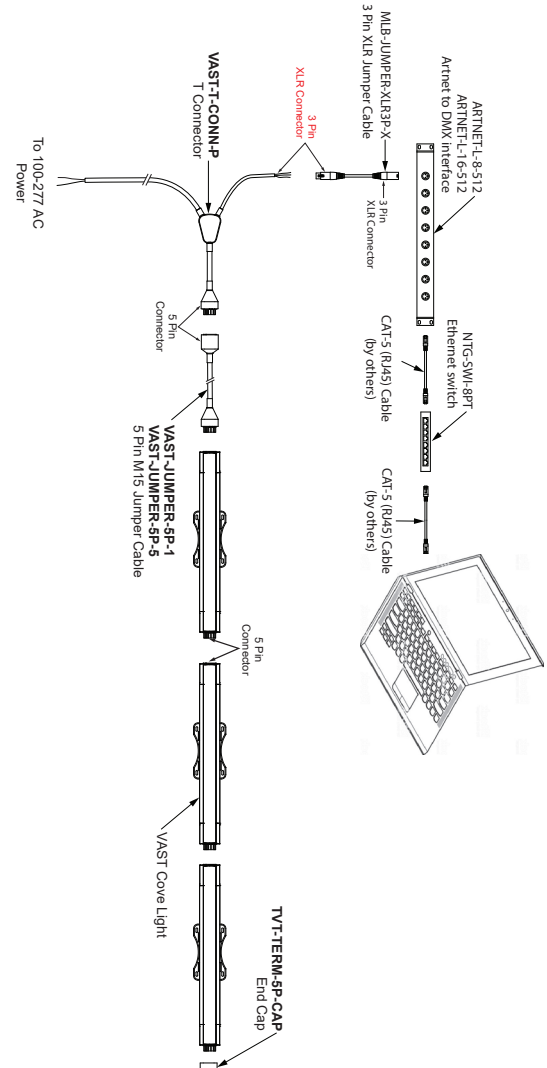
Do not run any luminaire at an operating temperature exceeding 65° C or 149° F.

Wiring Diagram

Wiring Diagram for Online Operation

ELV DIMMING CONFIGURATION

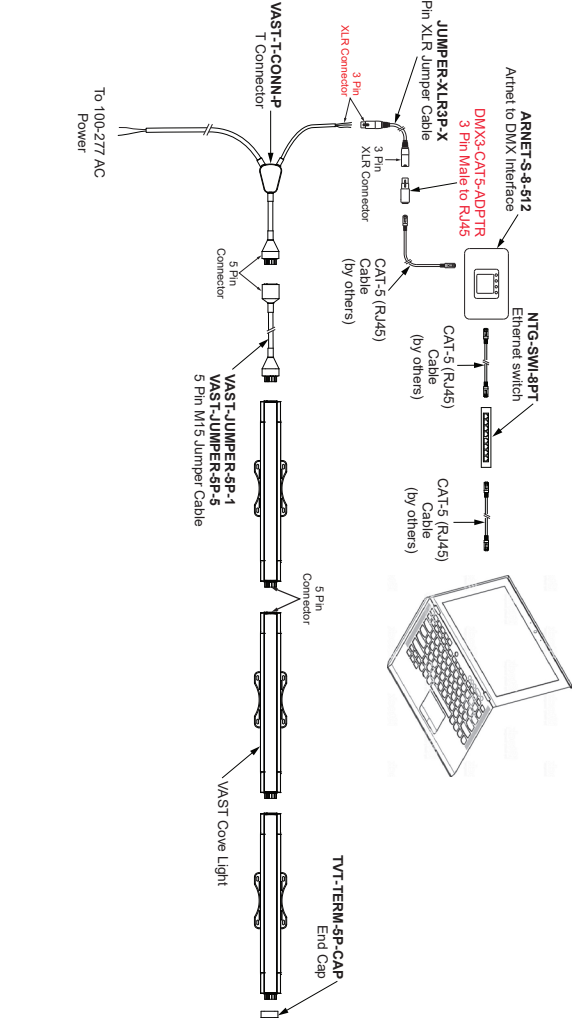
This is a live control performance setup. Widely used for concerts or performance-based manipulation. Use of a live network is necessary for communication between MADRIX software and fixture.



Wiring Diagram for Offline Operation

ARNET-S (Stand Alone)

Programmed via MADRIX software and recorded directly to an ARTNET-S interface for media applications and performance. This is a stand-alone feature with no need for network support by software (MADRIX) once recorded to the interface (ARNET-S). Please refer to ARTNET-S-8-512 User Manual for additional information.



TivoCUE (Preset)

Programmed via CUE software and recorded to a MicroSD card for data transfer into TivoCUE control. This is a stand-alone feature with no need for network support by software (CUE) once recorded and transferred to in-wall DMX control hardware. Please refer to TivoCue 10 User Manual for additional information.

