

Please verify the contents of the packages!

Please read instructions entirely before starting installation
Be sure power is turned off before installing or modifying the system

Call Tivoli, LLC tech support with questions

Caution: Edge Channel is designed to work with Tivotape™ LED lighting tape powered by listed Class 2 24V DC transformers only. Use of any other power source will cause damage, shorten the life of the fixture and will void the warranty.

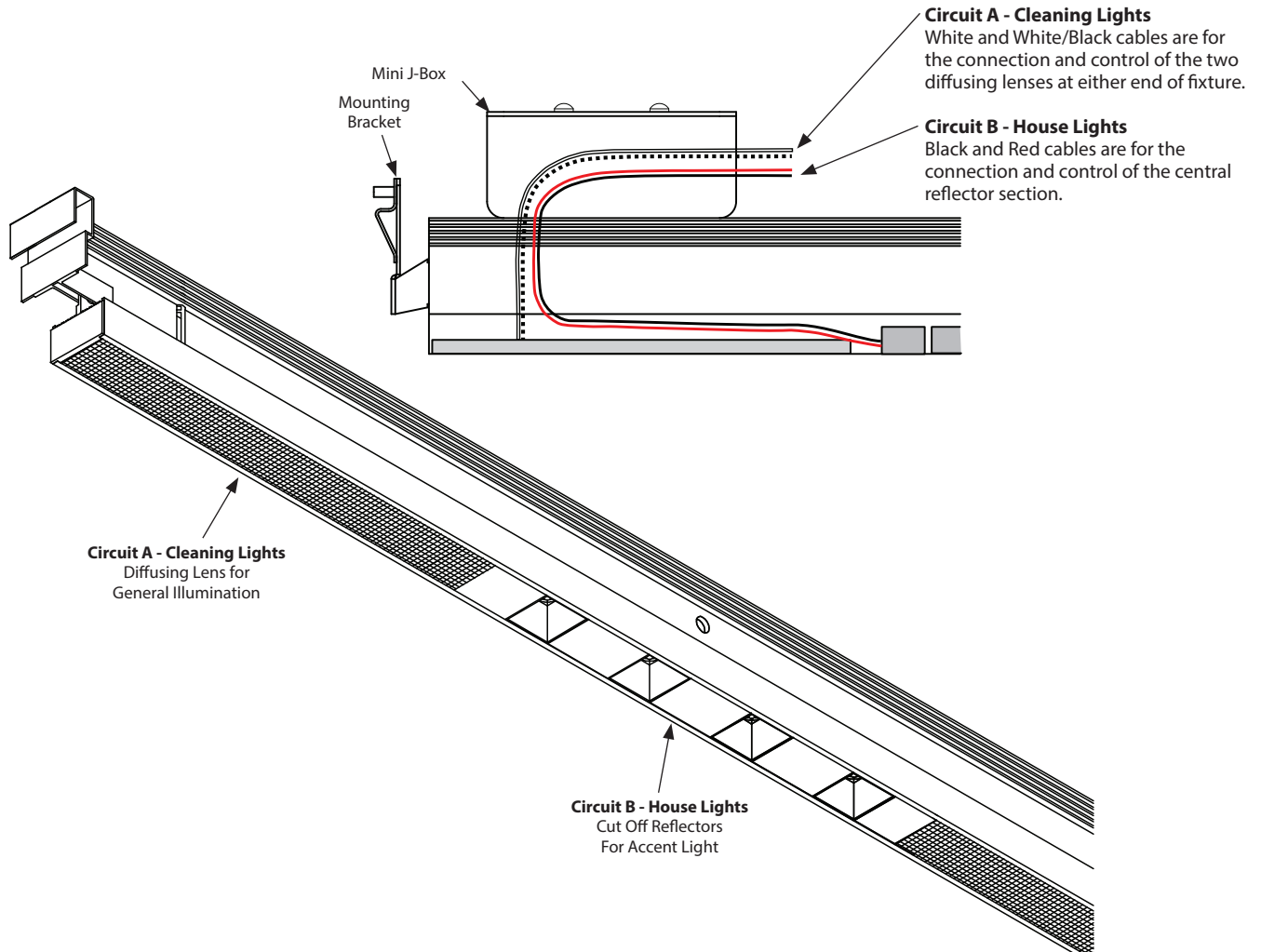
Consult any and all applicable local and national codes for installation.

Do not conceal or extend exposed conductors through a building wall as per local electrical code.

Warning: With any luminaire for any application, basic safety precautions should always be followed to reduce the risk of fire, electric shock and personal injuries. This lighting system must be installed in accordance with applicable installation code by a person familiar with the construction and operation of the product and the hazards involved.

Tivobar Features

Tivobar™ is the next generation green lighting solution for suspended ceiling applications in movie theaters. Specifically designed for 15/16" (T24) Grid.

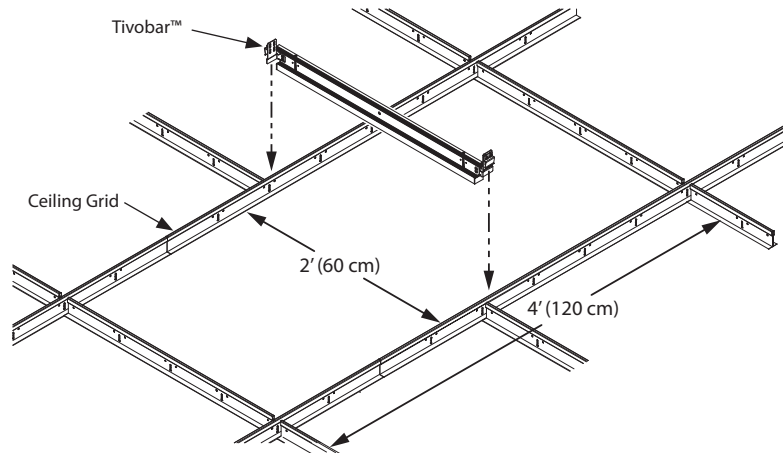


Installation Instructions

New Ceiling Installation

Step 1: Tivobar™ is designed to work with $\frac{15}{16}$ " (T24) grid. Layout the grid to have 2' X 4' (60x120cm) or 4' X 4' (120 X 120 cm) quadrants where the 2' or 4' TivoBar™ will be installed (according to the light requirement).

Step 2: Install the Tivobar™ at the center of the space, creating two sections of 2' X 2' (60 X 60 cm) or 2' X 4' (60 X 120 cm) each, depending on size of grid pattern.

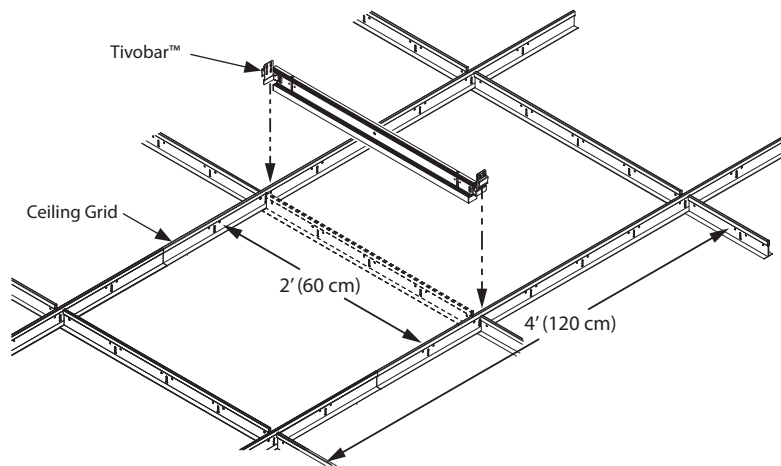


Existing Ceiling Installation

Step 1: In an existing $\frac{15}{16}$ " (T24) suspended ceiling, locate the 2' (60 cm) or 4' (120 cm) cross tees that are intended to be substituted with the 2' (60 cm) or 4' (120 cm) TivoBar™ (according to grid size).

Step 2: Temporarily remove the tiles within the selected workspace.

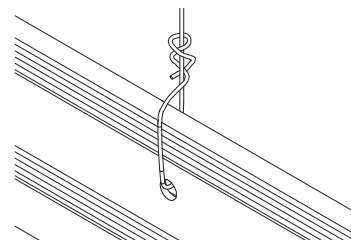
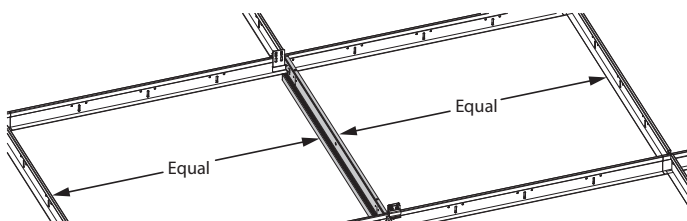
Step 3: Remove the 2' (60 cm) or 4' (120 cm) cross tee and replace it with the 2' (60 cm) or 4' (120 cm) TivoBar™.



Note: Make sure that the TivoBar™ is positioned to allow the correct placement of the corresponding tiles.

Support the TivoBar™

TivoBar™ must be anchored to the building structure from above with a steel cable, using the center hole (steel cable by others).

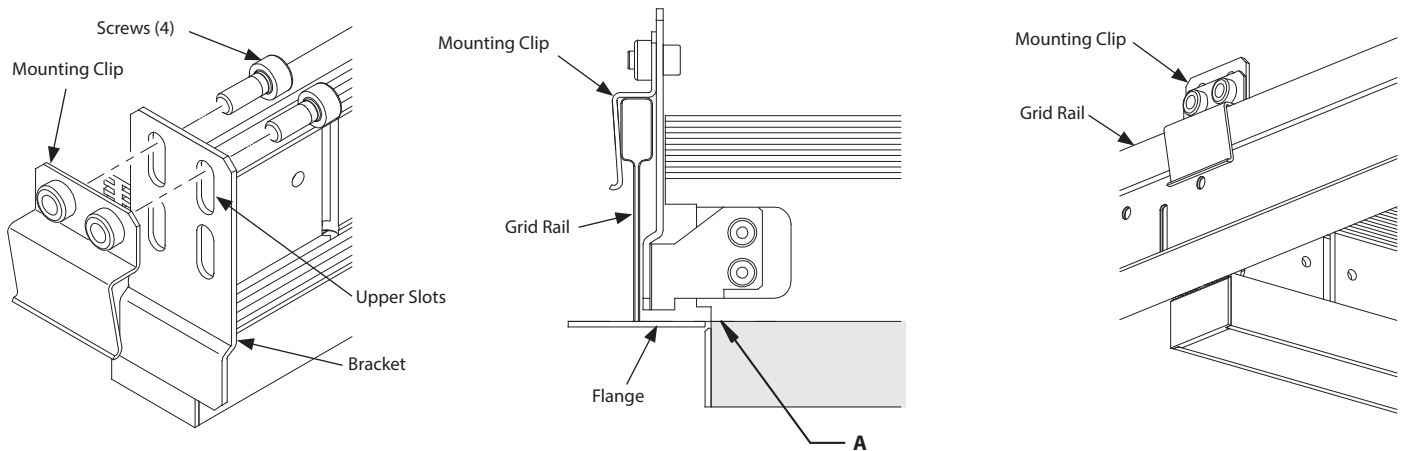


Installation Instructions (Continued)

Install Mounting Clips

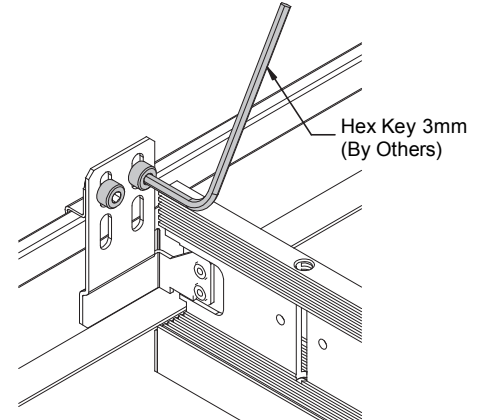
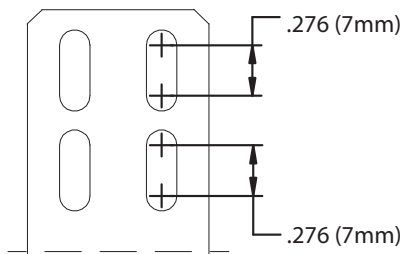
Step 1: Be sure the TivoBar™ is in the proper location in the Grid. Note the height of the unit to ensure the top edge of the lighting enclosure is on the same plane as the flange along the bottom of the grid rail, as seen in Detail "A". This will insure that the ceiling tiles will lay flat.

Step 2: Position a mounting clip on the TivoBar Bracket and over the grid rail. Install with 2 screws (included) in the upper slots of the TivoBar™ Bracket, as shown.



Note: The slots on the mounting bracket are designed to accommodate different grid heights.

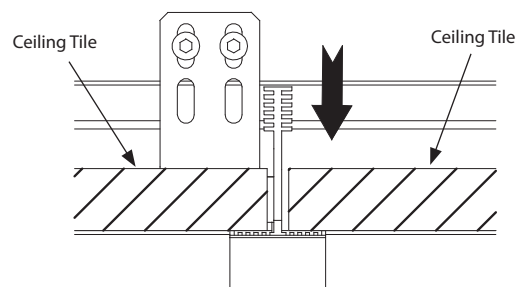
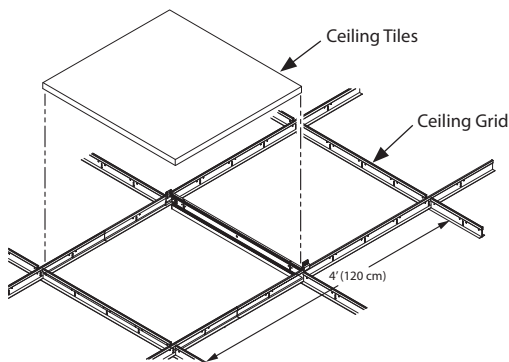
Step 3: Once the TivoBar™ is in position, tighten the 2 screws on each side with a 3mm Hex Key (by others).



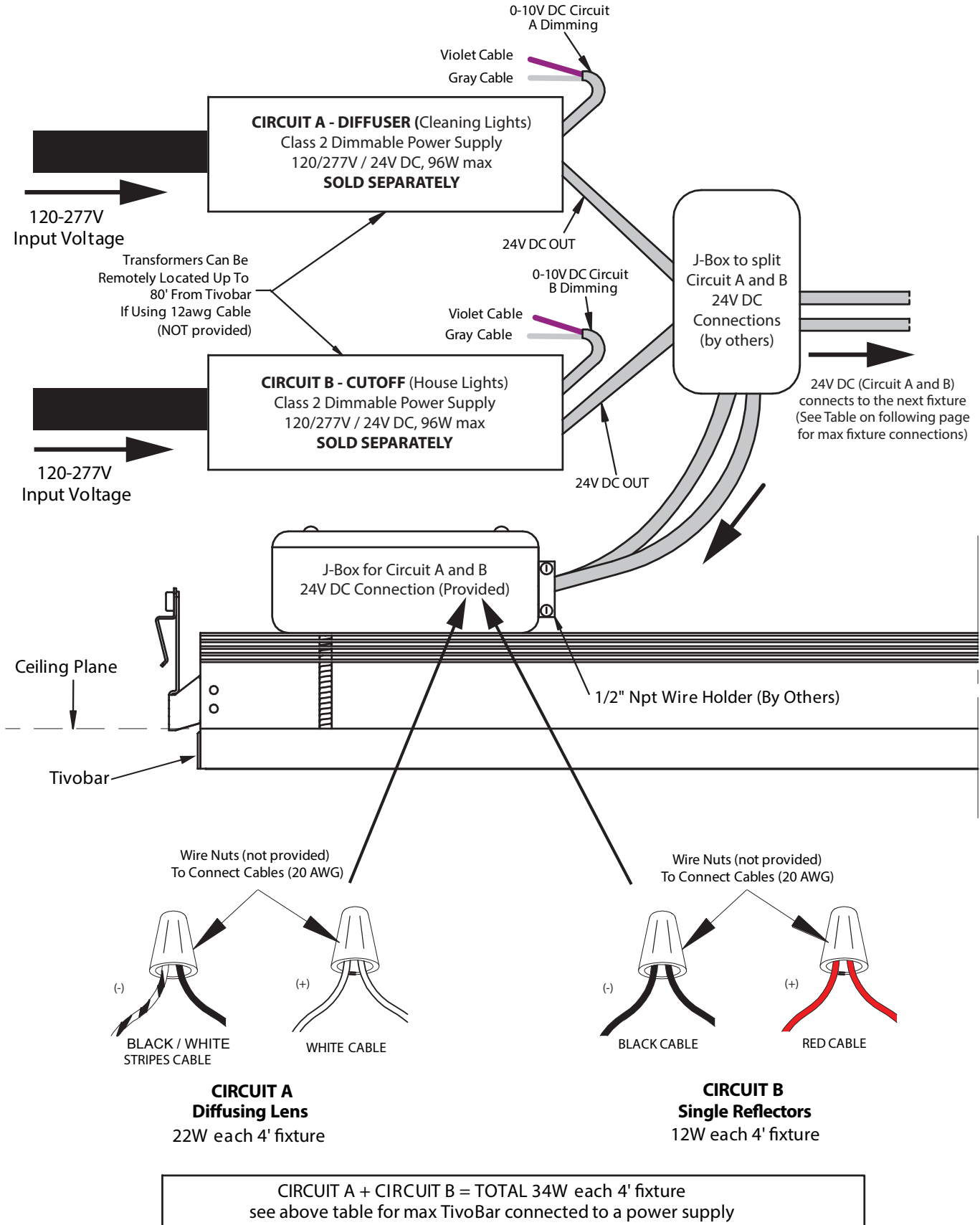
Step 4: Apply power to the system. See wiring diagram on page 4.

Note: Once in place, Ceiling tiles should lay flat and even. Re-adjust height of Tivobar™, if needed. Be sure to turn off power before handling any electrical product.

Step 5: Install ceiling tiles in their correct positions over the TivoBar™ fixture.



How To Electrify The TivoBar™

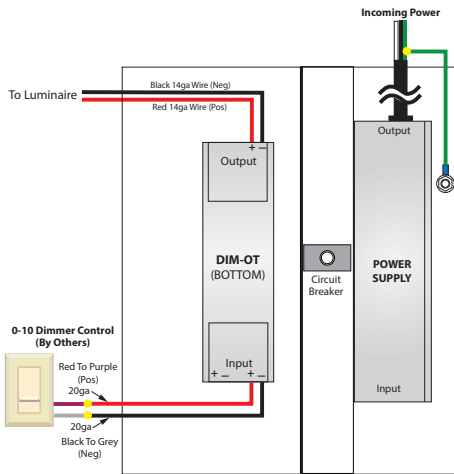


Product Specification Guide

2 FOOT FIXTURE				
Dual Circuit Fixture	Number of Fixtures per Run	Model	Max Distance from Power Supply	Wire Gauge
Circuit A (Diffuser) Total Load 88W	8	24" / 60cm 11W/Fixture	80 feet	12 AWG plenum rated
Circuit B (Cut-Off) Total Load 84W	14	24" / 60cm 6W/Fixture	80 feet	12 AWG plenum rated

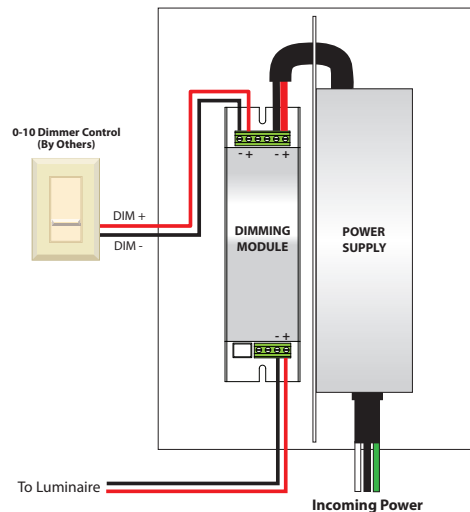
4 FOOT FIXTURE				
Dual Circuit Fixture	Number of Fixtures per Run	Model	Max Distance from Power Supply	Wire Gauge
Circuit A (Diffuser) Total Load 88W	4	48" / 120cm 22W/Fixture	80 feet	12 AWG plenum rated
Circuit B (Cut-Off) Total Load 84W	7	48" / 120cm 12W/Fixture	80 feet	12 AWG plenum rated

Recommended Power Supplies



0-10V DIMMING

CAT NO	PRIMARY AND SECONDARY	TOTAL WATTAGE / AMPS PER BREAKER	DIMENSIONS	LISTING
ADUL-120-1-4-24-DOT*	120-277V AC 24V DC	96W / 1X4A	12"W X 12"L X 4.25"D	UL
ADUL-240-2-4-24-DOT	120-277V AC 24V DC	192W / 2X4A	12"W X 12"L X 4.25"D	UL
ADUL-320-3-4-24-DOT	120-277V AC 24V DC	288W / 3X4A	12"W X 12"L X 4.25"D	UL



CAT NO	PRIMARY AND SECONDARY	TOTAL WATTAGE / AMPS PER BREAKER	DIMENSIONS	LISTING
ADNM-90-1-4-24-DOT*	120-277V AC 24V DC	96W / 1X4A	6"W X 8"L X 4"D	UL

* Two Power Supplies required per fixture; one for Circuit A and one for Circuit B.