

Inspire Installation Instructions

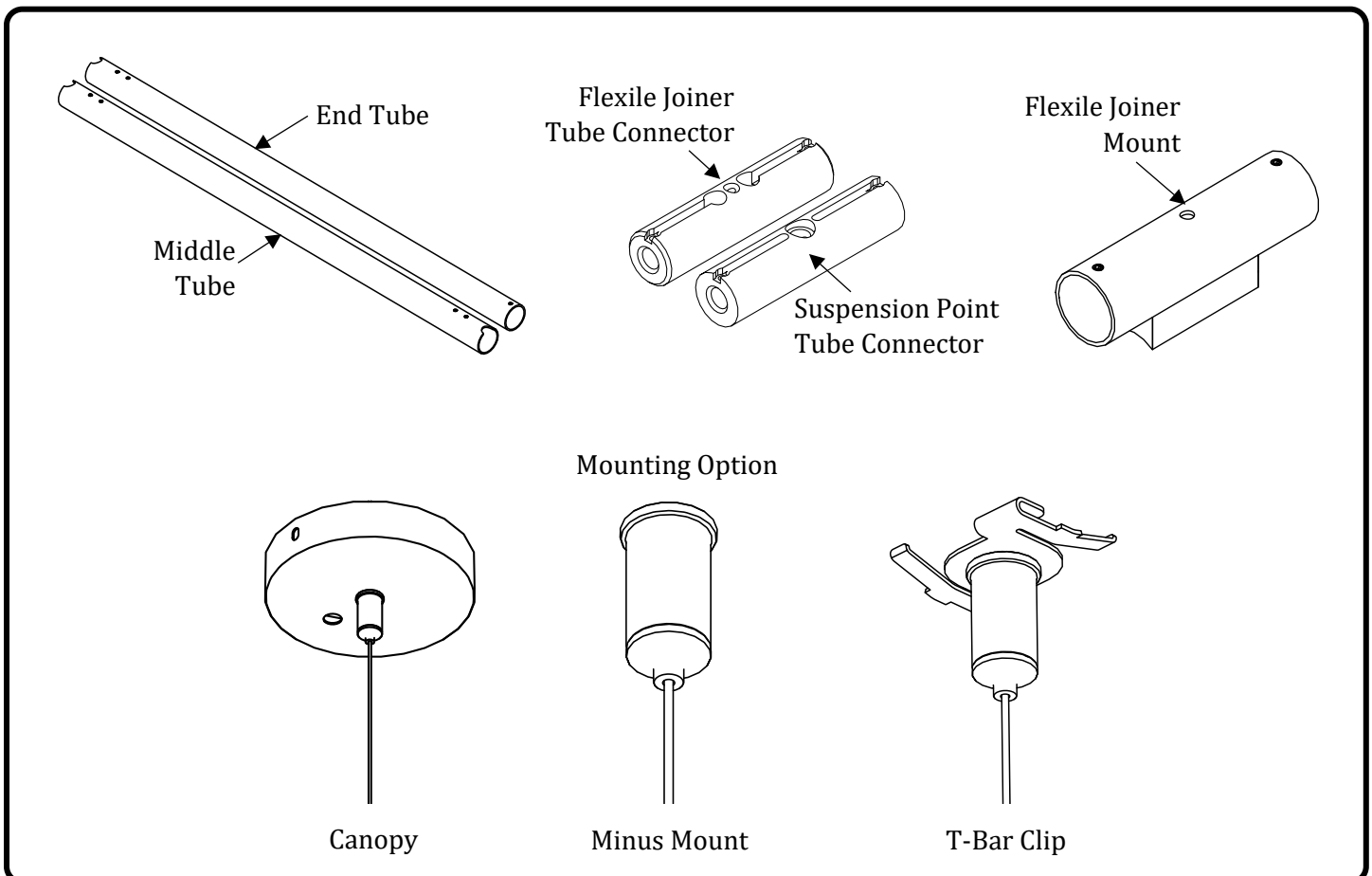


Warnings and Safety

- Please verify the contents of the package!
- Please read instructions before starting the installation.
- Make sure the power is off before installing or modifying the system.
- Call Tivoli LLC tech support with any questions.
- This product is designed to work with listed Class 2, 24V DC transformers only. Use of any other power source will cause damage, shorten the life of the fixture, and will void the warranty.
- Consult any local and national codes for installation.
- Follow basic safety precautions when dealing with any luminaire application to reduce the risk of fire, electrical shock, and/or personal injuries. This lighting system should be installed by a certified professional.

- **Do not** exceed the maximum run length.
- **Do not** use this product other than its intended use.
- **Do not** install this lighting system where the exposed bare contacts can be shorted or contact any conductive material to reduce the risk of fire and burns.
- **Do not** use any luminaire if damaged, such as a broken globe, loose connections, or frayed wire insulation. Inspect periodically.

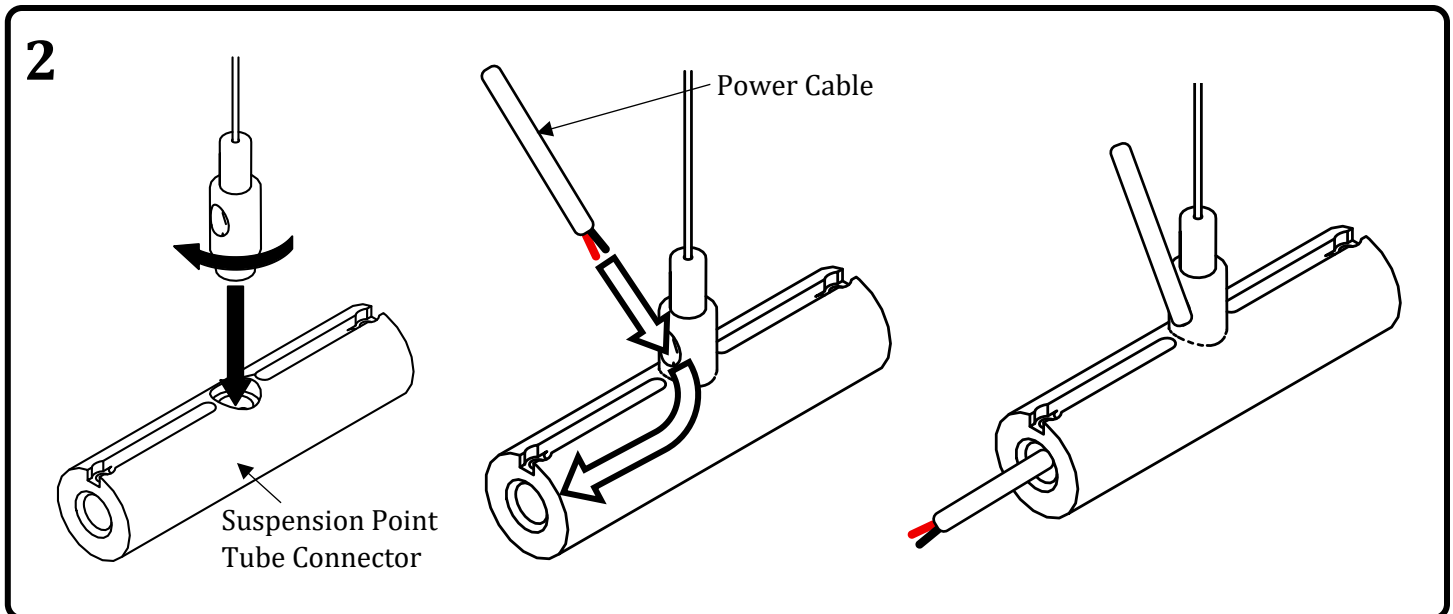
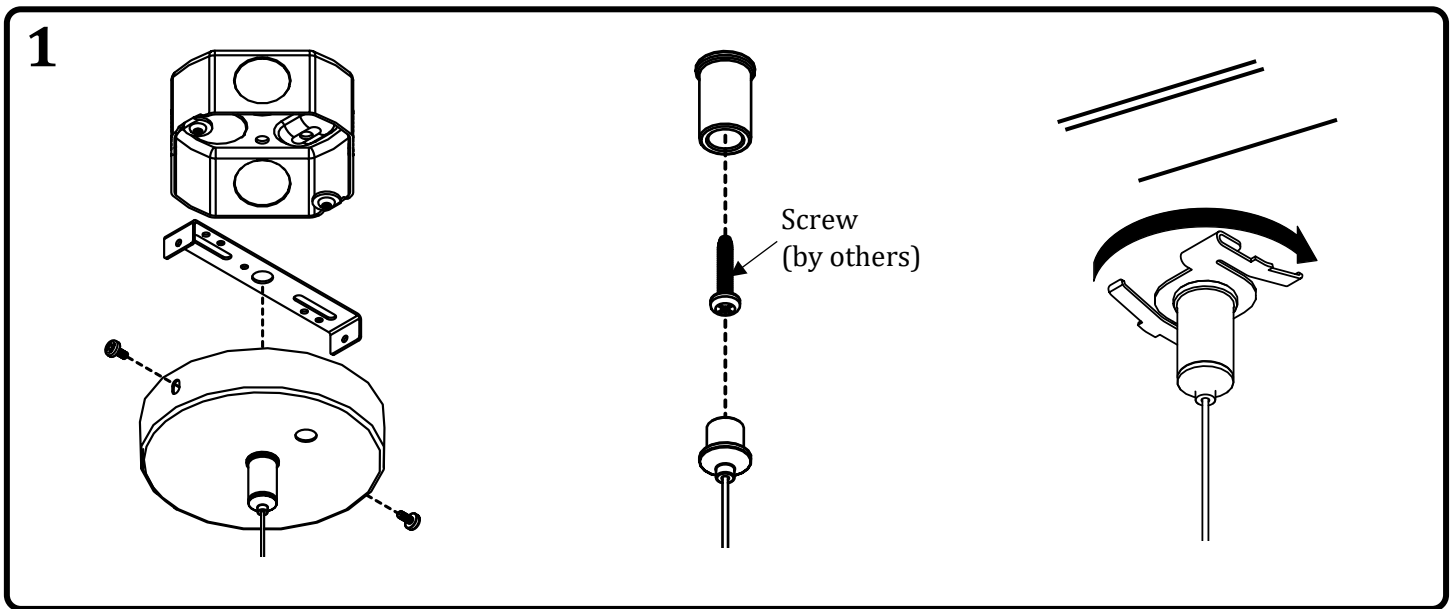
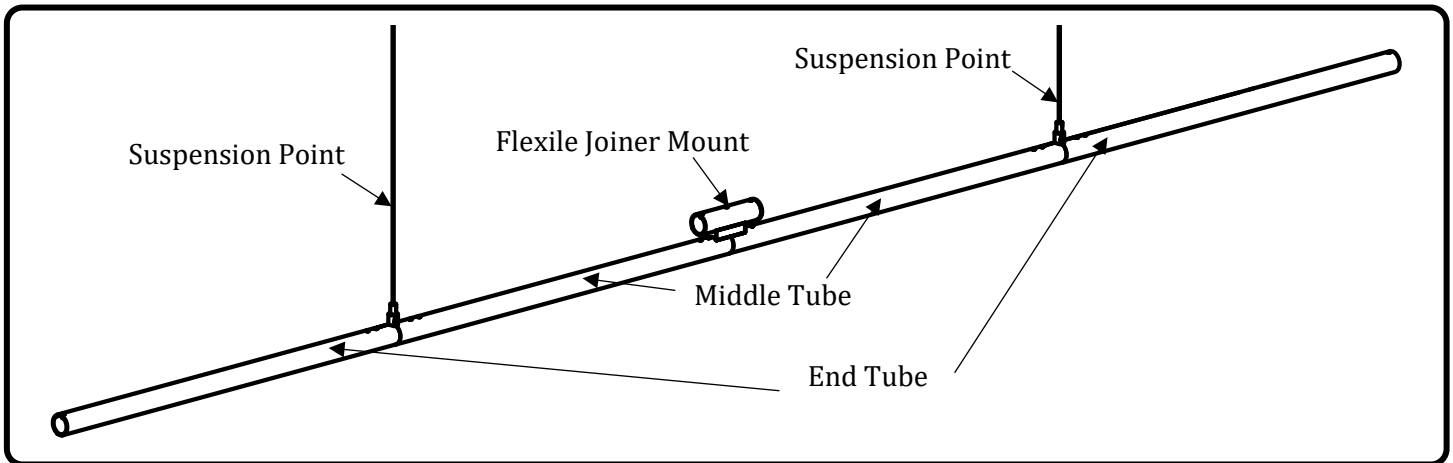
Inspire Material List



Inspire Installation Instructions



Inspire Array Fixture (8FT Example)



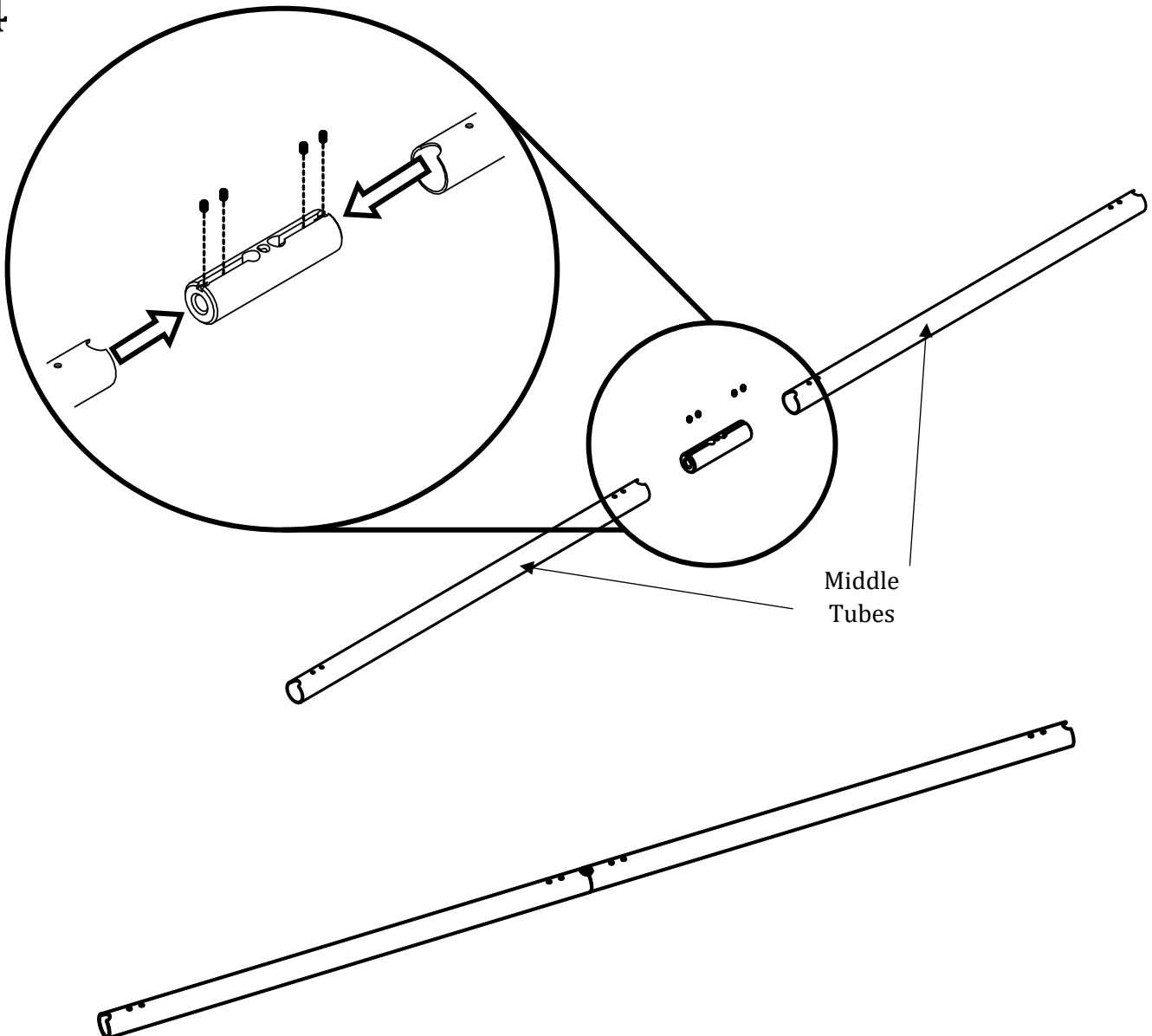
Inspire Installation Instructions



3



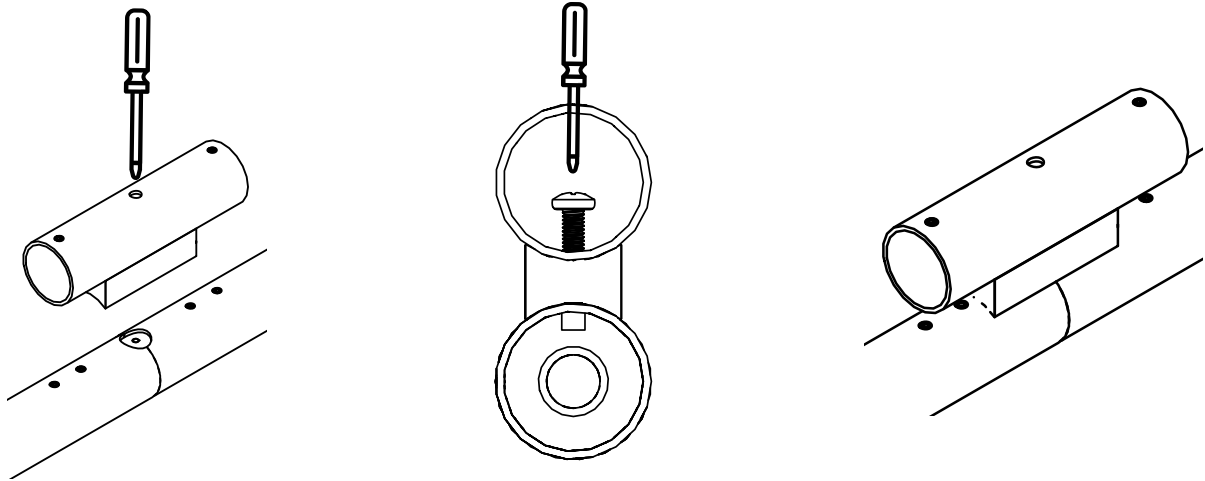
4



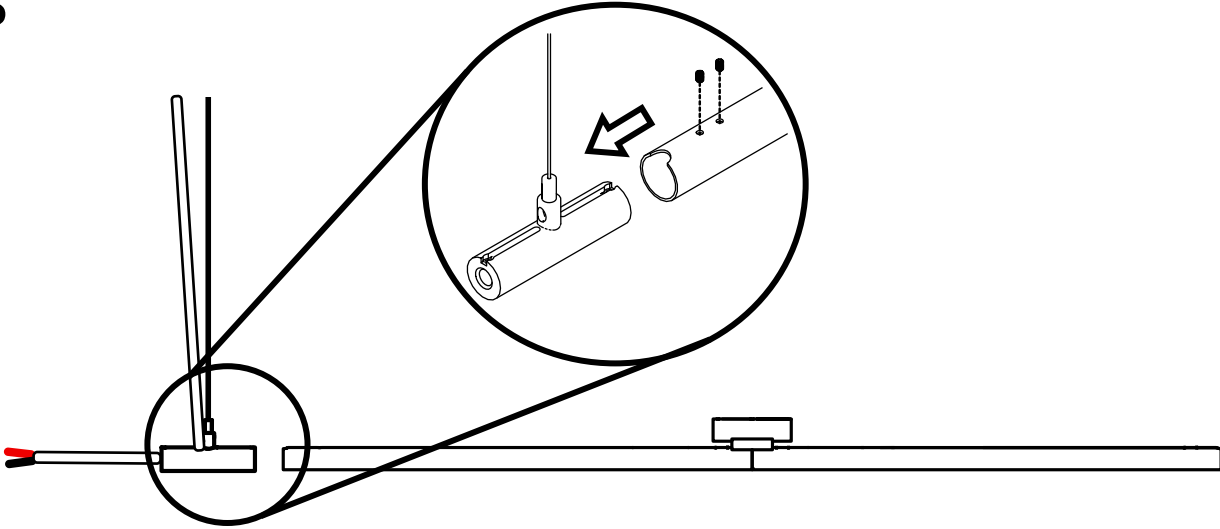
Inspire Installation Instructions



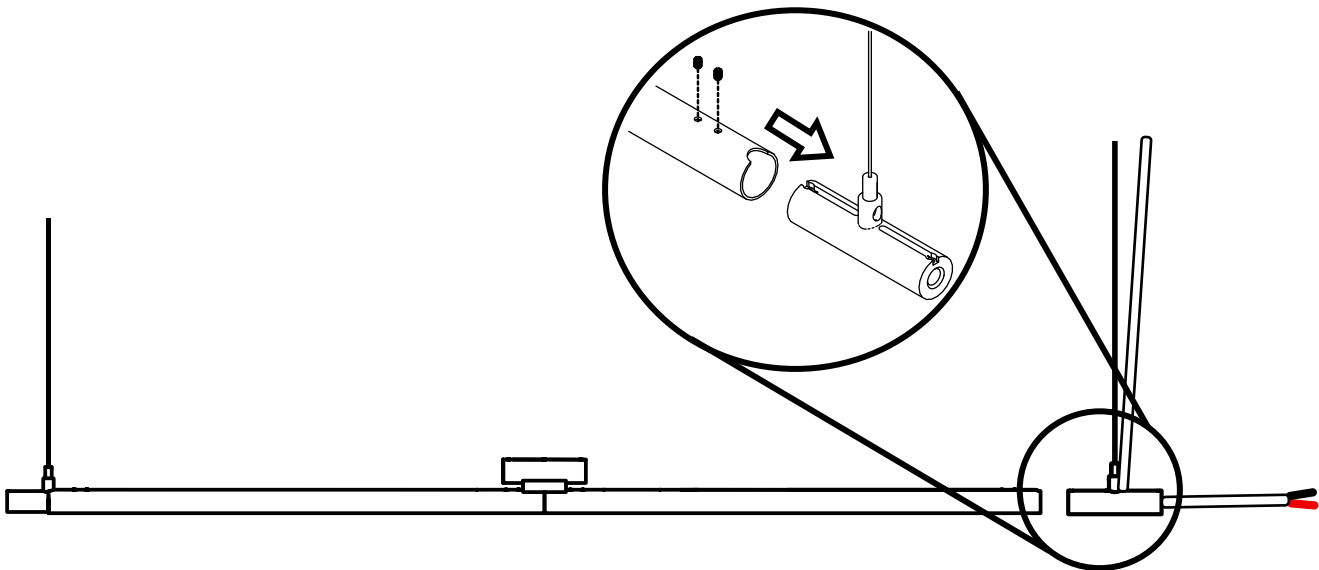
4



5



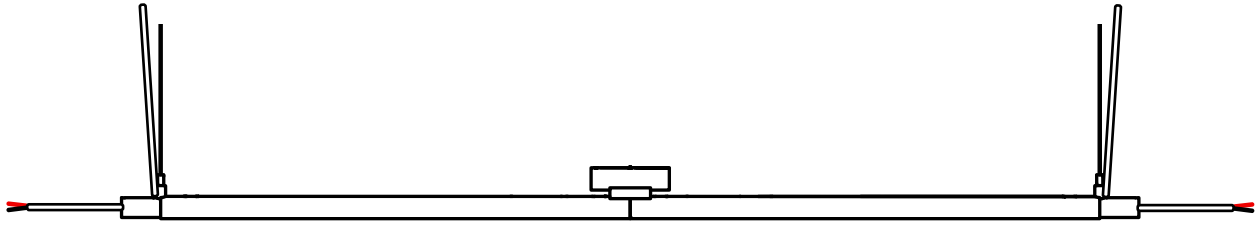
6



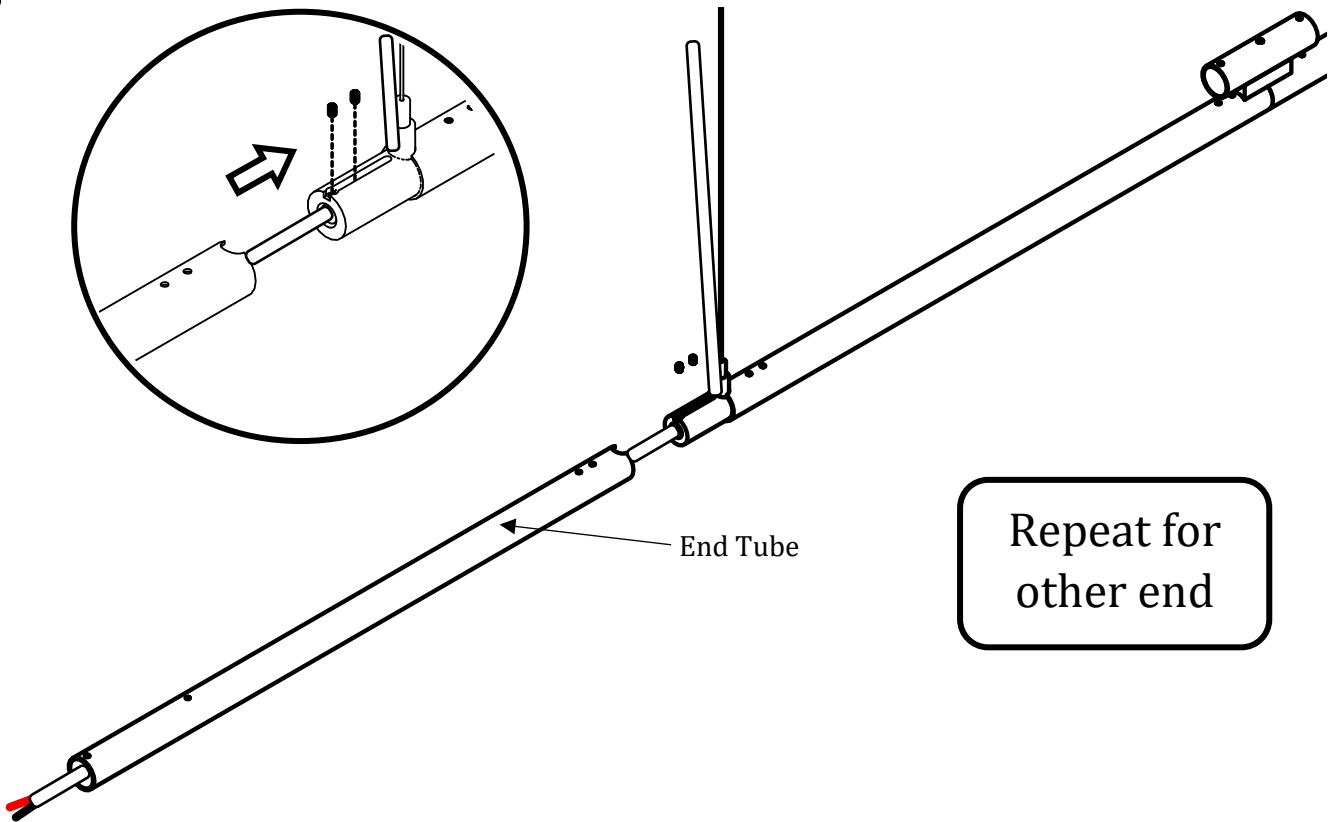
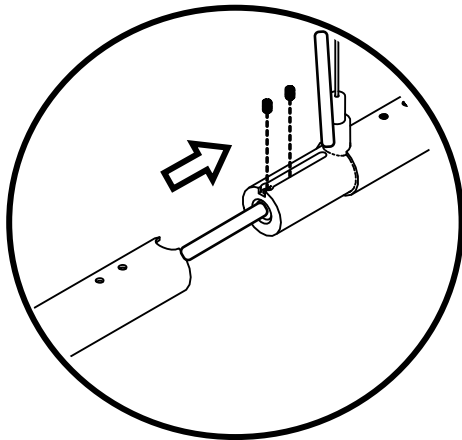
Inspire Installation Instructions



7

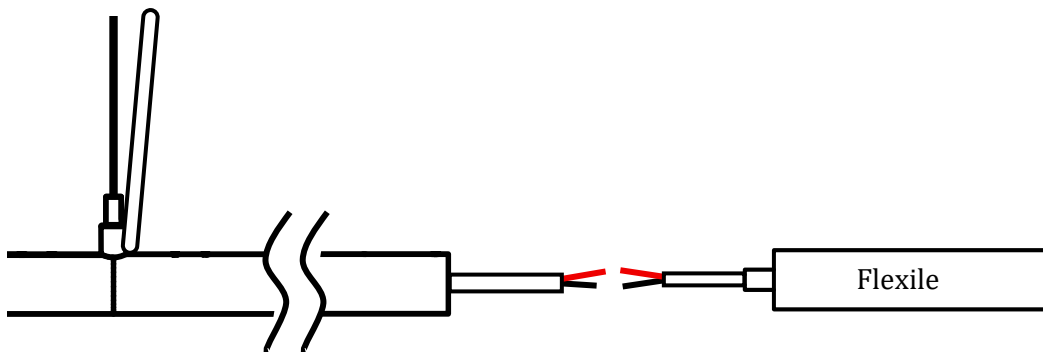


8



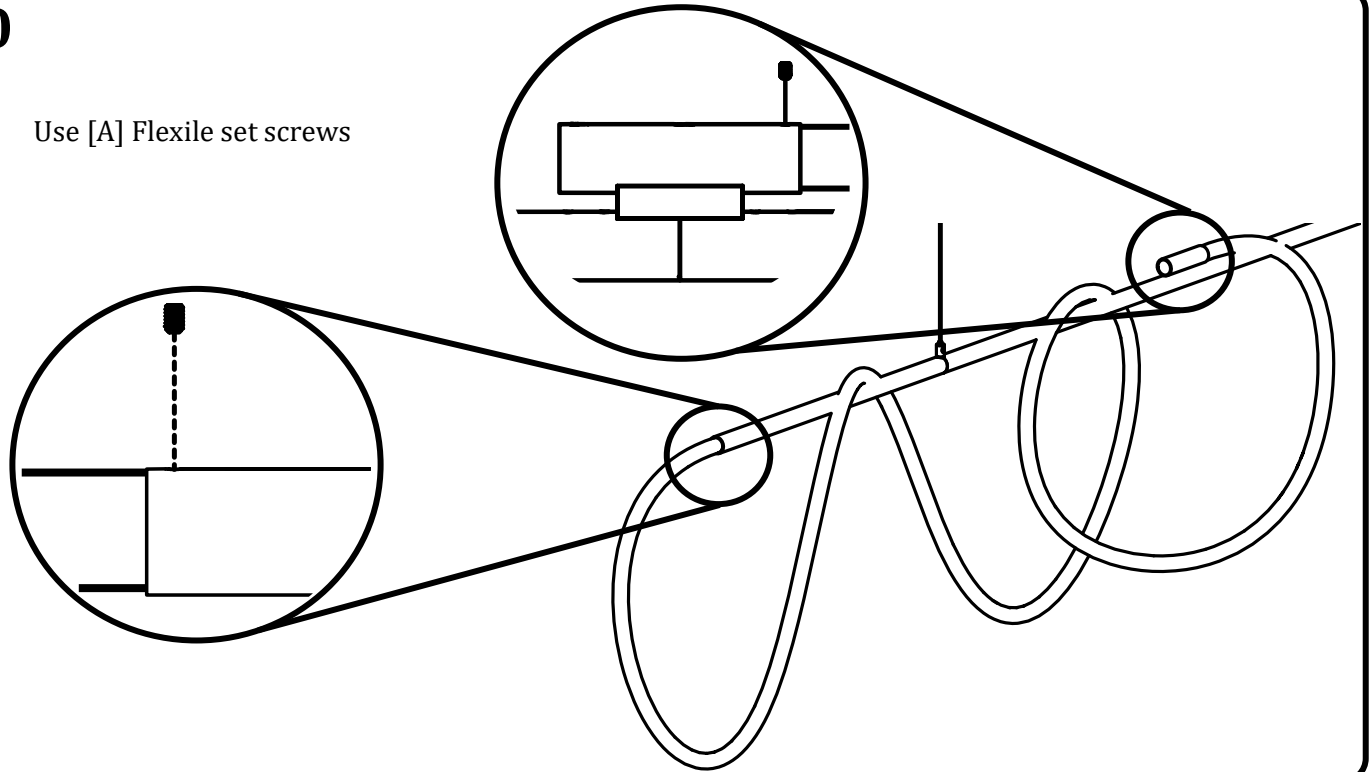
Repeat for other end

9



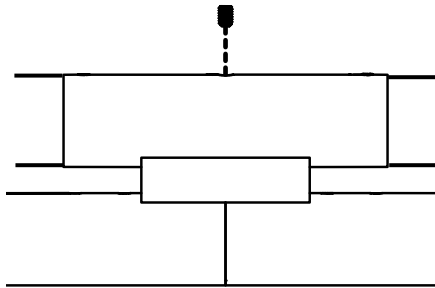
10

Use [A] Flexile set screws



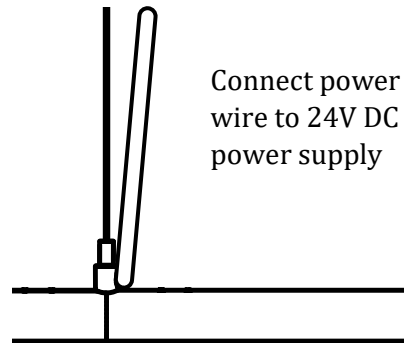
11

Use [C] Flexile joiner cover set screw

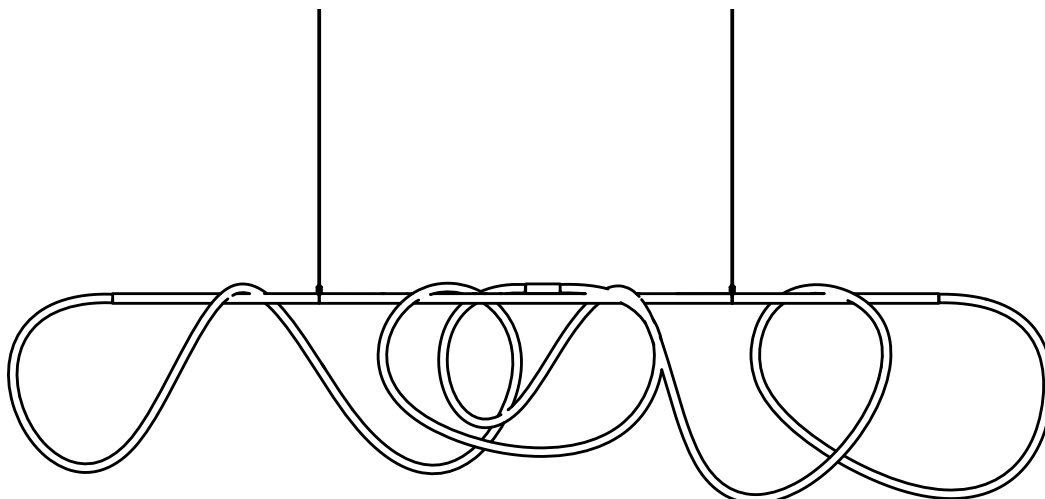


12

Connect power lead wire to 24V DC power supply



13



Inspire Installation Instructions



14

