

**Please verify the contents of the packages!**

**Please read instructions entirely before starting installation**

**Be sure power is turned off before installing or modifying the system**

**Call Tivoli, LLC tech support with questions**

**Caution:** Beacon™ Seat Light is designed to work with listed Class 2 12V DC transformers only. Use of any other power source will cause damage, shorten the life of the fixture and will void the warranty.

**Consult** any and all applicable local and national codes for installation.

**Do not** conceal or extend exposed conductors through a building wall as per local electrical code.

**Warning:** With any luminaire for any application, basic safety precautions should always be followed to reduce the risk of fire, electric shock and personal injuries. This lighting system should be installed by a lighting professional.



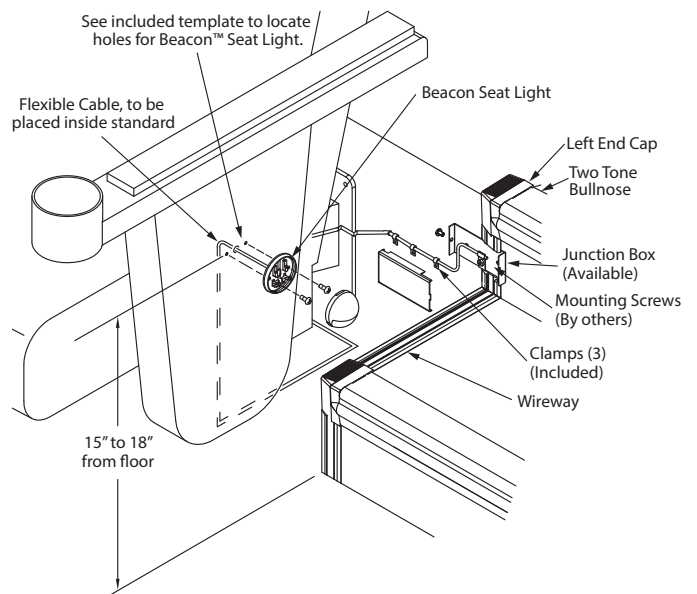
## Installation Instructions

### Installation with Junction Box in Riser

**Step 1:** Measure the height, 15 to 18 inches from floor, for location of three (3) holes to be drilled. Use template on Page 2.

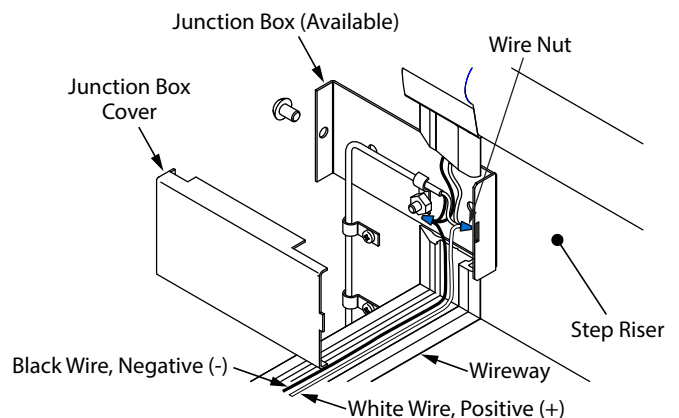
**Step 2:** Feed flexible cable through center hole to inside of seat frame and secure at bottom of frame with clamps (3) provided.

**Step 3:** Secure Beacon™ with #6 sheet metal screws (Included). Then, snap lens cover into place.



**Step 4:** The junction box (available separately) must align with the wireway and be mounted on the vertical rise of the step so that the cutout of the junction box lines up with the wireway, see detail. Junction Box may be ordered separately. (Mounting screws by others.)

**Step 5:** Connect fixture cable to wireway cable to power, making sure the White Wire is connected to the positive (+) wire and the Black Wire is connected to the Negative (-) wire.



Junction Box Wiring Detail

7262001

## Installation with Surface Mount Junction Box on Floor

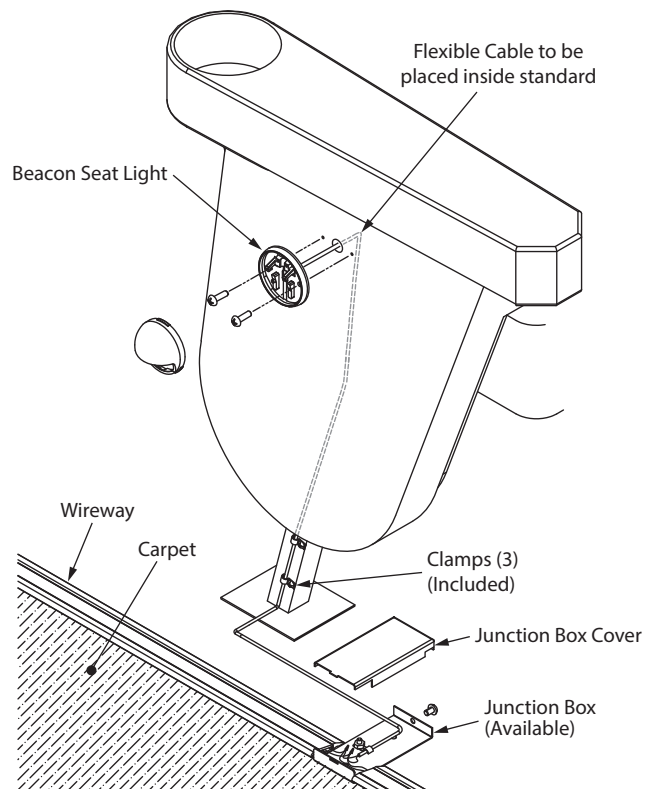
**Step 1:** Measure the height 15 to 18 inches from floor for the location of three (3) holes to be drilled. Please see included template (Page 1).

**Step 2:** Feed flexible cable through center hole to inside of seat frame with clamps (3) provided.

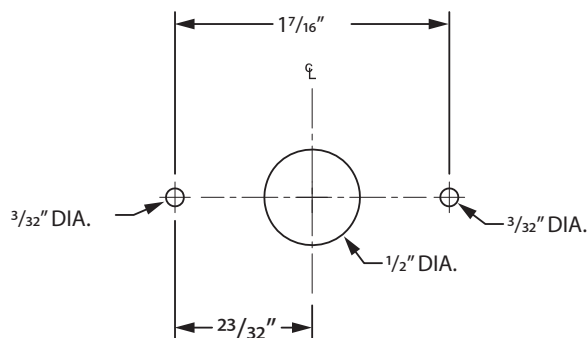
**Step 3:** Secure Beacon™ with #6 sheet metal screws (Included), and snap in lens cover.

**Step 4:** The junction box (available separately) must align with the wireway and be mounted on the bare finished floor so that the cutout of the junction box lines up with the wireway (See detail). Mounting screws by others.

**Step 5:** Connect fixture cable to wireway cable to power, making sure the White Wire is connected to the positive (+) wire and the Black Wire is connected to the Negative (-) wire.

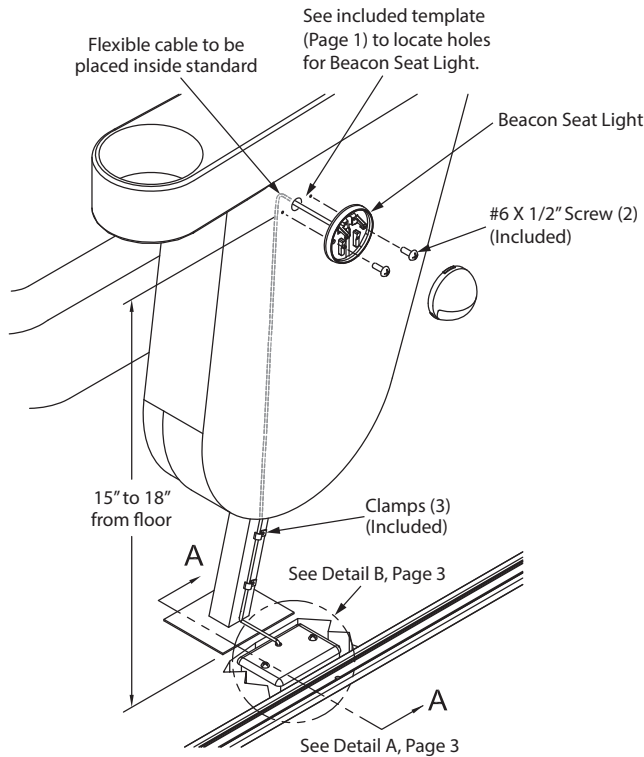


## Mounting Template



Template for mounting  
Beacon to Seat  
(Caution! May not print at correct scale)

## Installation with Junction Box Recessed in Floor



**Step 1:** The junction box and flex conduit (by others), should be placed before concrete is poured (See Detail A).

**Step 2:** Measure the height 15 to 18 inches from floor for the location of three (3) holes to be drilled. Please see included template (Page 1).

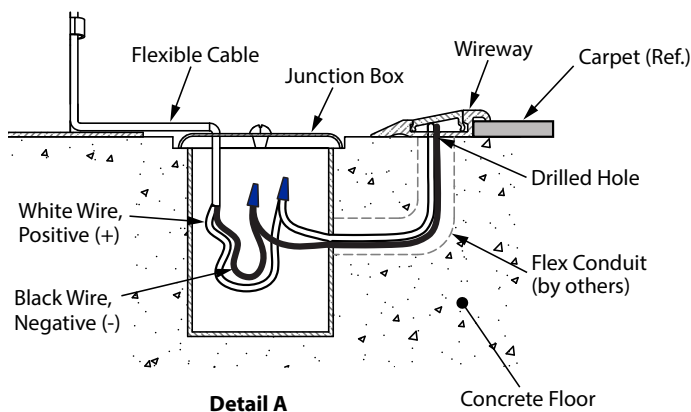
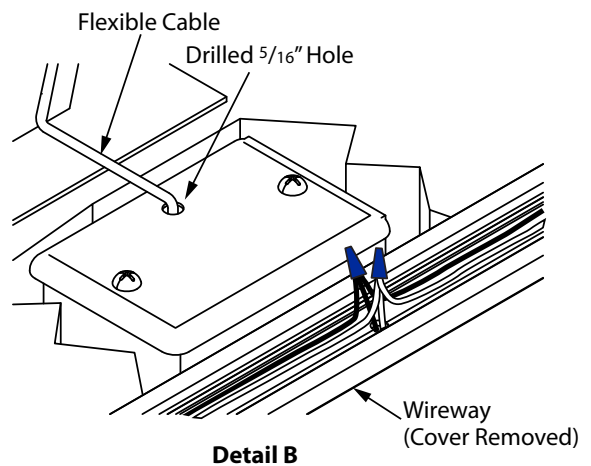
**Step 3:** Feed flexible cable through center hole to inside of seat frame with clamps (3) provided.

**Step 4:** Secure Beacon™ with #6 sheet metal screws (included), then snap in lens cover.

**Step 5:** Drill a  $\frac{5}{16}$ " diameter hole into the junction box lid. Feed flexible cable through hole.

**Step 6:** Drill a  $\frac{5}{16}$ " diameter hole into wireway extrusion. Be sure hole is aligned with flex conduit (Step 1).

**Step 7:** Feed wires along wireway and through hole and flex conduit to the junction box and make wire connections using wire nuts. Make sure the White Wire from the fixture is connected to the Positive wire and the Black Wire is connected to the Negative Wire.





## Wire Size Selection

In order to operate a Class 2 lighting system properly, it is important to select wires with the right gauge to minimize significant voltage drop. The following charts provide a reference for determining the wire size according to the maximum connection wire length from power supply to lighting fixtures.

12V DC Class 2 Lighting System	
Wire Gauge	Max. Connection Wire Length (FT)
18	90
16	95
14	100
12	105

Product Specification Guide		
Beacon Seat Light	Watts per Beacon	Max Beacons per 5A Circuit
Beacon Without Row Indicator	.48	100
Beacon With Row Indicator	.72	78