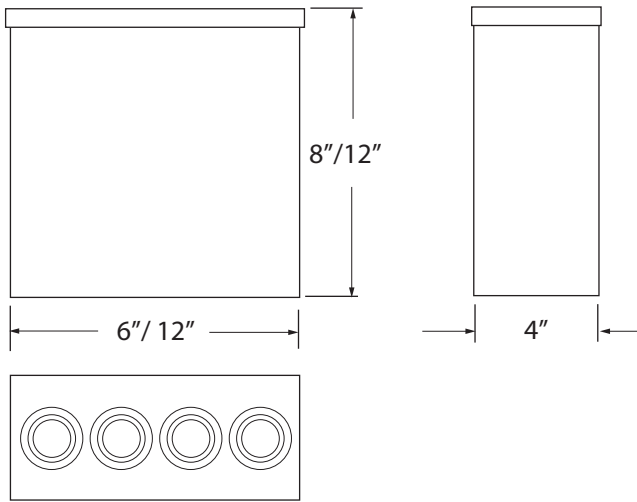


Profile Dimensions



Please verify the contents of the packages!

Please read instructions entirely before starting installation

Be sure power is turned off before installing or modifying the unit.

Call Tivoli, LLC tech support with questions

Caution: This Power Supply is designed to work on 100V/277V AC line voltage. Use of any other power source will cause damage and will void the warranty. This Power Supply is certified for Class 2 applications.

Consult any and all applicable local and national codes for installation.

Do not conceal or extend exposed conductors through a building wall as per local electrical code.

Warning: Basic safety precautions should always be followed to reduce the risk of fire, electric shock and personal injuries. This power supply should be installed by a certified professional.



Installation Instructions

Mounting Location Requirements

It is recommended that the enclosure be mounted with at least 10" of open space around it for proper ventilation. Do not mount next to or above heat radiating equipment. Operating under high ambient temperature may increase the internal temperature and will require a de-rating in output current. This power supply will operate efficiently between -40° C to +80° C with adequate ventilation. The enclosure is NEMA 3R rated for outdoor/wet applications.

Outdoor Installation

Step 1: Locate Power Supply enclosure (NEMA 3R rated) in a suitable outdoor location.

Step 2: Orient the box in the proper orientation for outdoor use. The solid cover must be positioned at the top to maintain water proof integrity.

Step 3: Note the spacing of the mounting holes when determining mounting location.

Step 4: Knock out access holes as needed. Outdoor rated boxes only have knockouts along the bottom of the box.

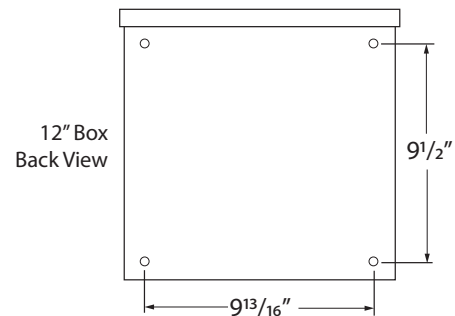
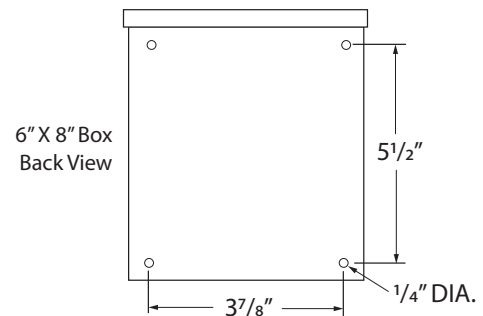
Step 5: Install strain reliefs (wire clamps) for 1/2" hole size. Input lead wires are 18AWG. Output lead wires are 14AWG.

Input Connection:

Bring external Positive (Black) and Negative (White) Power Lines through Strain Relief on the input side of the Transformer. Connect to Black and White Transformer Leads using the correct size and UL approved Wire Nuts.

Grounding: Connect the Green Ground Wire from inside the enclosure and the Green Transformer wire to incoming ground wire.

Note: The 6" X 8" box has only one Ground Wire.



Warnings and Cautions

1. Risk of electrical shock and energy hazard. All failures should be examined by a qualified technician. Do not open the case of the power supply module.

2. Do not install LED power supplies in places with high ambient temperature or close to a fire source.

Installation Instructions (Continued)

Wiring for Dimming

Use AMP-OT-5-D. for dimming an LED luminaire with the ADNM series power supply. Use one AMP-OT-5-D Dimming Module per circuit.

Step 1: Locate AMP-OT-5-D in the proximity of the transformer enclosure and mount.

WARNING! Fire danger.

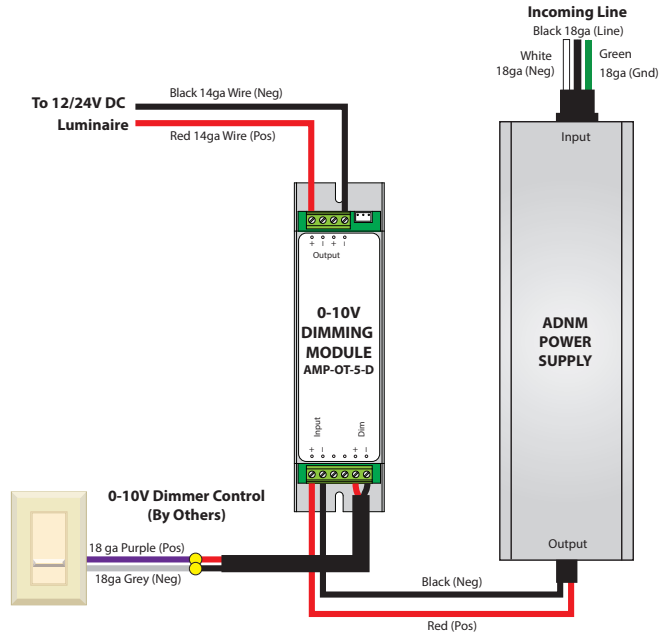
The maximum permissible temperature of 50°C must not be exceeded. Make sure there is adequate space to avoid heat buildup.

Step 2: Connect the Black (-) wire from the output side of the transformer to the Negative (-) terminal on the 10-24V input side of the AMP-OT-5-D.

Step 3: Connect the Red (+) wire from the output side of the transformer to the Positive (+) terminal on the 10-24V input side of the AMP-OT-5-D.

Step 4: Connect the cable from a 0-10V dimmer control to the corresponding terminals of the 0-10V input of the AMP-OT-5-D.

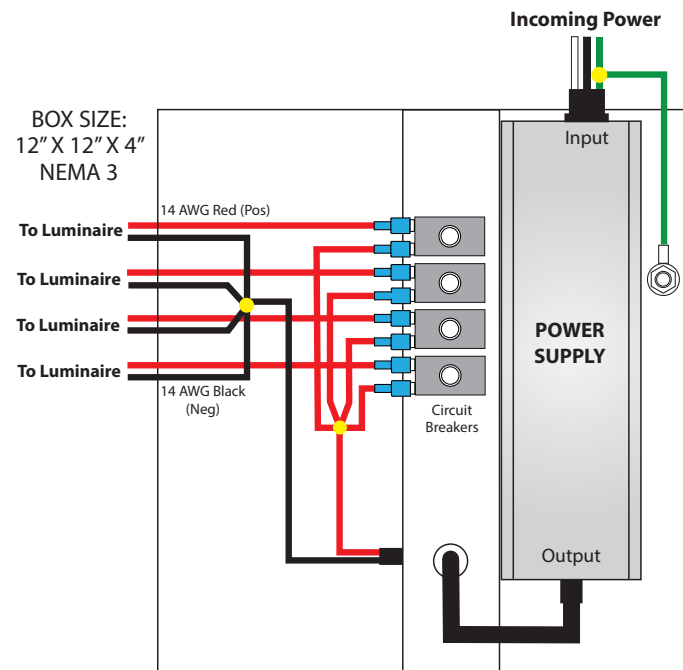
Step 5: Connect the positive and negative wires from the luminaire and connect to the output terminals of the AMP-OT-5-D. Connect only one luminaire to one AMP-OT-5-D per circuit.



ADNM Series Wiring Diagrams

ADNM-320-4-5-12-D

120-277V AC / 12V DC, 240W / 4 CIRCUITS X 5A

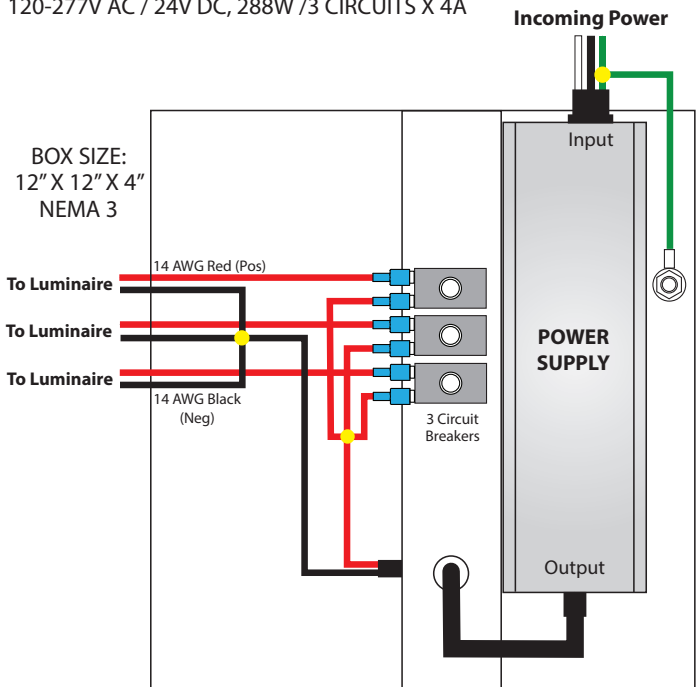


ADNM-240-3-5-12-D

120-277V AC / 12V DC, 180W / 3 CIRCUITS X 5A

ADNM-320-3-4-24-D

120-277V AC / 24V DC, 288W / 3 CIRCUITS X 4A



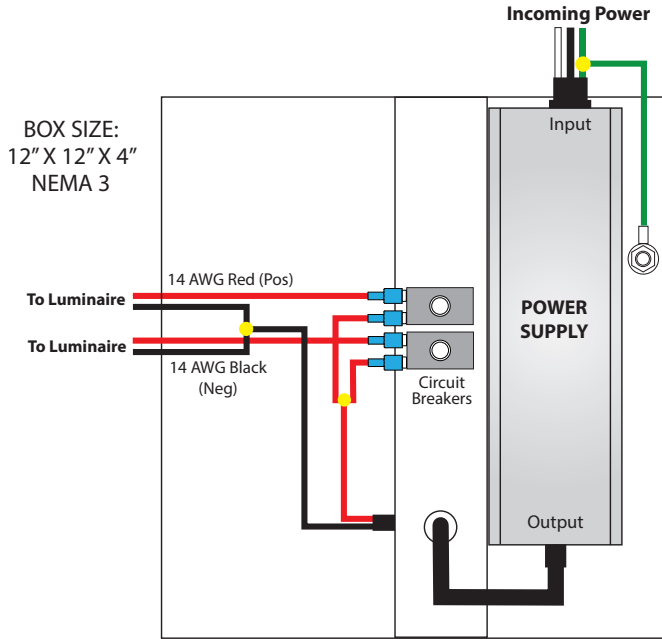
ADNM Series Wiring Diagrams

ADNM-150-2-5-12-D

120-277V AC / 12V DC, 120W /2 CIRCUITS X 5A

ADNM-240-2-4-24-D

120-277V AC / 24V DC, 192W /2 CIRCUITS X 4A

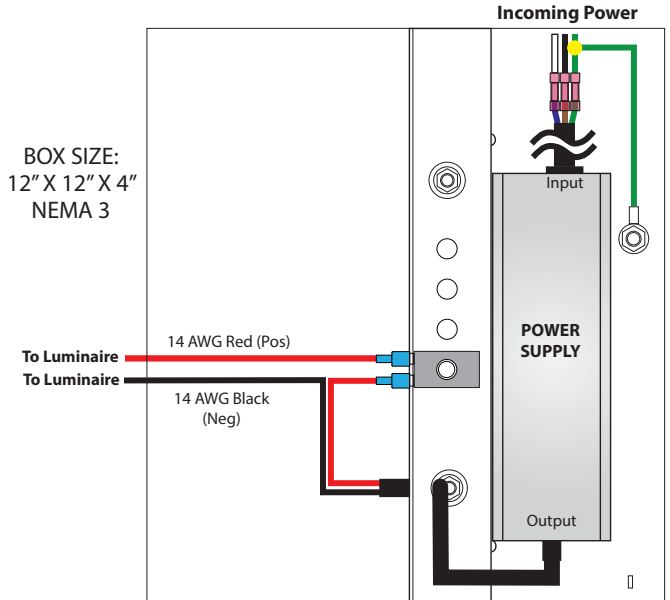


ADNM-80-1-5-12-D

120-277V AC / 12V DC, 60W /1 CIRCUIT X 5A

ADNM-120-1-4-24-D

120-277V AC / 24V DC, 96W /1 CIRCUIT X 4A



ADNM-60-1-5-12-D

120-277V AC / 12V DC, 60W /1 CIRCUIT X 5A

ADNM-90-1-4-24-D

120-277V AC / 24V DC, 90W /1 CIRCUIT X 4A

