

**Please verify the contents of the packages!**  
**Please read instructions entirely before starting installation.**  
**Be sure power is turned off before installing or modifying the system**

**Call Tivoli, LLC tech support with questions**

**Caution:** Mode™ Seat Light is designed to work with listed Class 2 12V DC transformers only. Use of any other power source will cause damage, shorten the life of the fixture and will void the warranty.

**Consult** any and all applicable local and national codes for installation.

**Do not** conceal or extend exposed conductors through a building wall as per local electrical code.

**Warning:** With any luminaire for any application, basic safety precautions should always be followed to reduce the risk of fire, electric shock and personal injuries. This lighting system should be installed by a lighting professional.



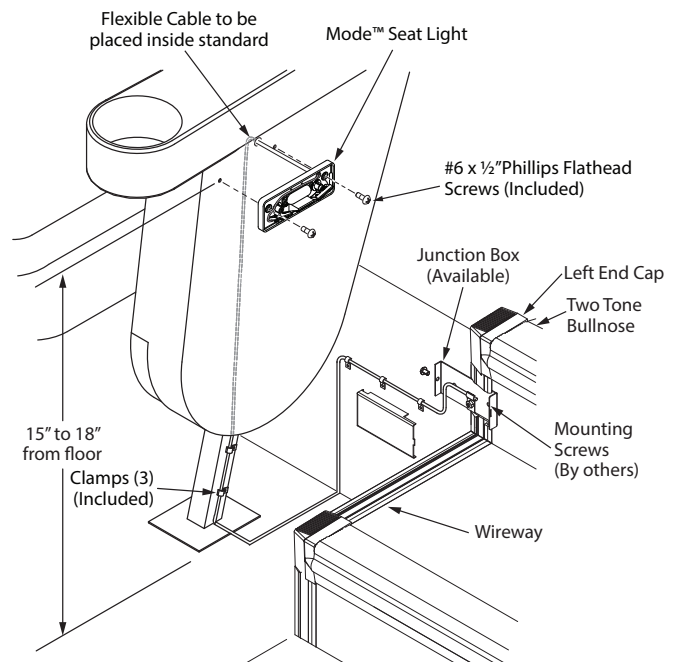
## Installation Instructions

### Install Seat Light with Junction Box in Riser

**Step 1:** Measure the height, 15 to 18 inches from floor, for location of three (3) holes to be drilled. Use template on Page 2.

**Step 2:** Feed flexible cable through larger hole and down along seat frame. Secure at bottom of frame with clamps (3) provided.

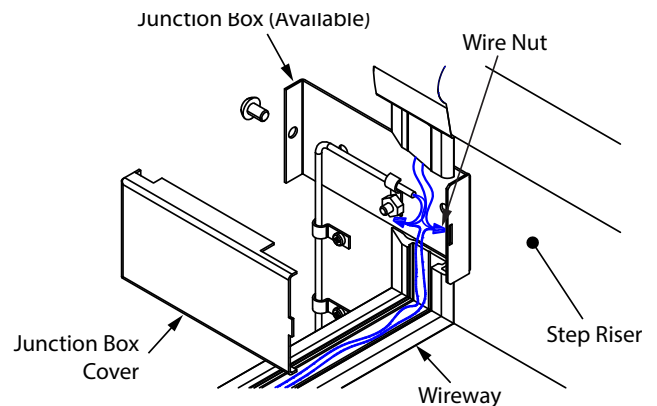
**Step 3:** Secure Mode™ Seat Light with #6 sheet metal screws (Included). Do not install Lens Cover. See "Beam Adjustment" section.



**Step 4:** The junction box (available separately) must align with the wireway and be mounted on the vertical rise of the step so that the cutout of the junction box lines up with the wireway, see detail. (Mounting screws by others.)

**Step 5:** Feed the wires from Power Supply along wireway to the junction box and make wire connections using wire nuts.

**Note:** White wire is negative (-) and Black wire is positive (+).

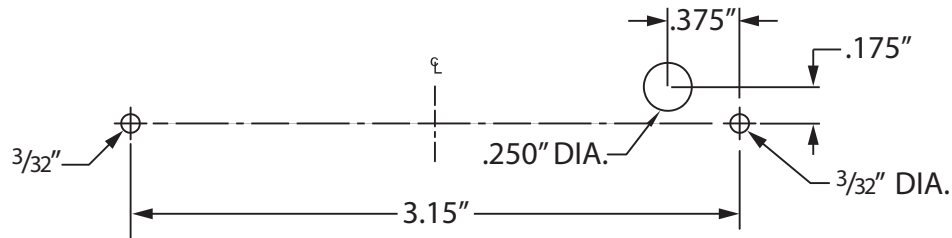


Junction Box Wiring Detail

7120045

Installation Instructions (Continued)

**Mounting Template for Mode Seat Light**



Template for mounting Mode Light to Seat

**Installation with Junction Box on Floor**

**Step 1:** Measure the height 15 to 18 inches from floor for the location of three (3) holes to be drilled. Please see included template (above).

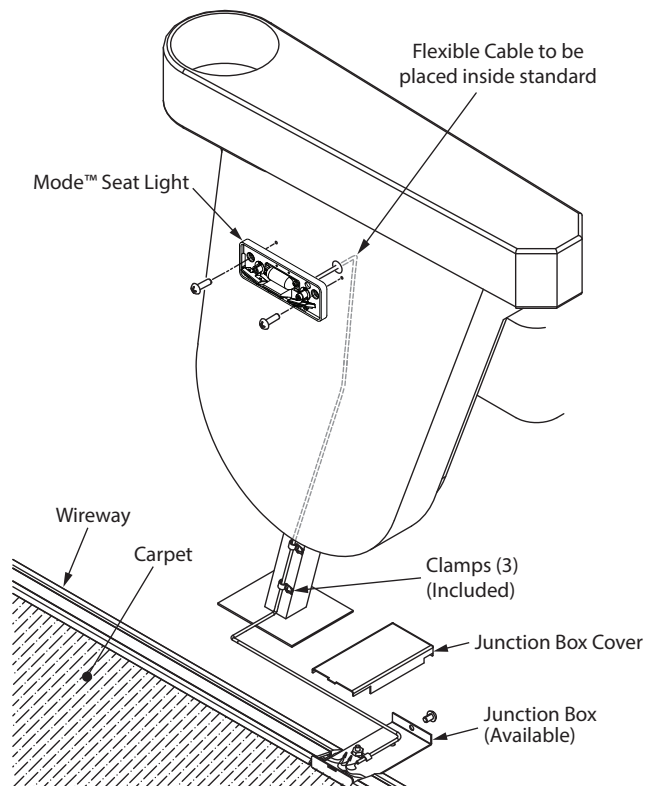
**Step 2:** Feed flexible cable through larger hole and down along seat frame. Secure with clamps (3) provided.

**Step 3:** Secure Mode™ Seat Light with #6 sheet metal screws (Included). Do not install Lens Cover. See “Beam Adjustment” section.

**Step 4:** The junction box (available separately) must align with the wireway and be mounted on the bare finished floor so that the cutout of the junction box lines up with the wireway (See detail). Mounting screws by others. (Mounting screws by others.)

**Step 5:** Feed wires from Power Supply along wireway to the junction box and connect wires from seat light using wire nuts.

**Note:** White wire is negative (-) and Black wire is positive (+).



Installation Instructions (Continued)

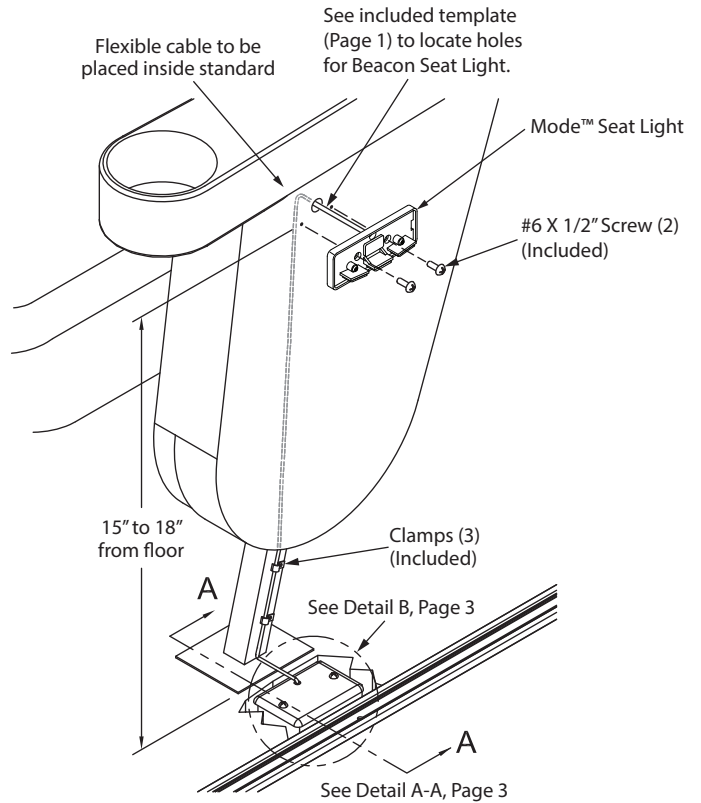
**Installation with Junction Box Recessed in Floor**

**Step 1:** The junction box and flex conduit (by others), should be placed before concrete is poured (See Section A-A Detail).

**Step 2:** Measure the height 15 to 18 inches from floor for the location of three (3) holes to be drilled. Please see included template (Page 2).

**Step 3:** Feed flexible cable through larger hole and down along seat frame. Secure with clamps (3) provided.

**Step 4:** Secure Mode™ Seat Light with #6 sheet metal screws (included). Do not install Lens Cover. See "Beam Adjustment" section.

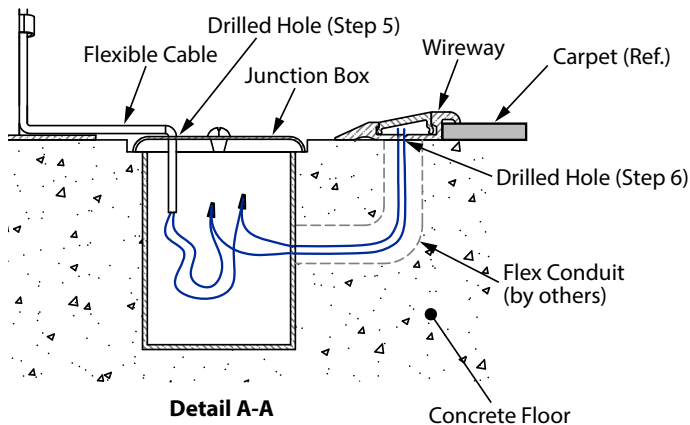
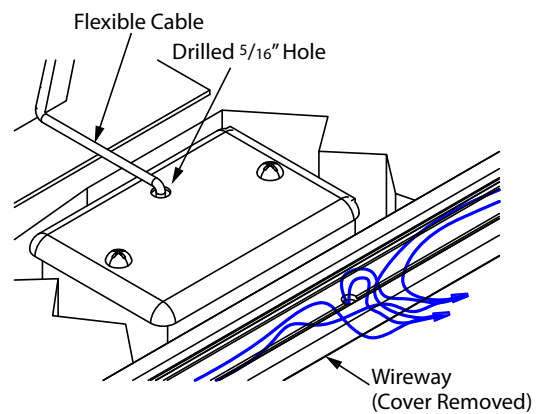


**Step 5:** Drill a  $\frac{5}{16}$ " diameter hole into the junction box lid. Feed flexible cable through hole.

**Step 6:** Drill a  $\frac{5}{16}$ " diameter hole into wireway extrusion. Be sure hole is aligned with flex conduit, as shown.

**Step 7:** Feed wires from Power Supply along wireway, through hole, and feed through flex conduit to the junction box. Connect wires from Seat light using wire nuts.

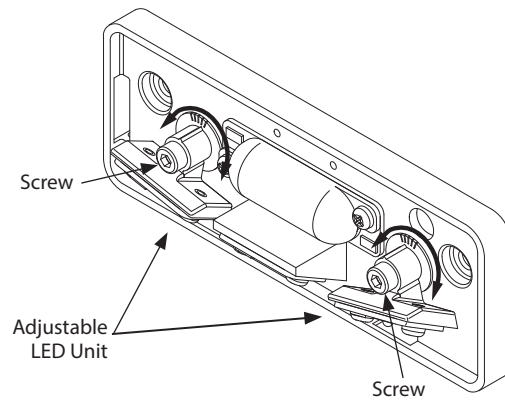
**Note:** White wire is negative (-) and Black wire is positive (+).



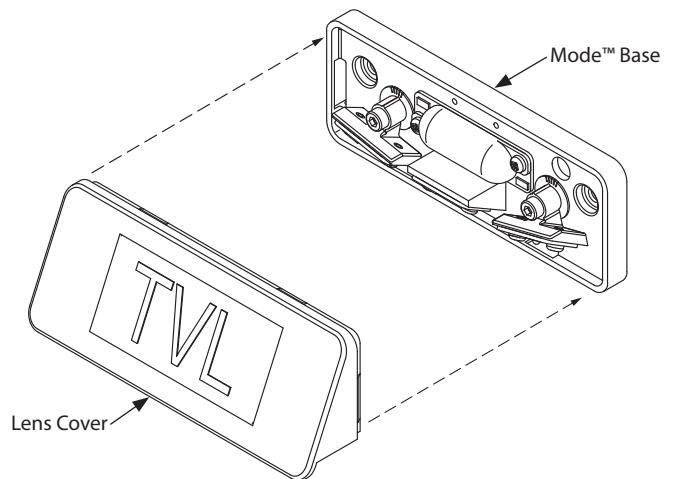
## Installation Instructions (Continued)

### Beam Adjustment

**Step 1:** The beam angle of this unit can be adjusted by repositioning The two outside LED units. Loosen screw securing LED bracket and rotate it to desired position. Tighten screw.



**Step 2:** Snap Lens Cover into place on the Seat Light base.



### Wire Size Selection

In order to operate Class 2 lighting system properly, it is important to select wires with the right gauge to minimize significant voltage drop. Following are two charts providing a reference for determining the wire size according to the maximum connection wire length from power supply to lighting fixtures.

| 12V Class 2 Lighting System |                                  |
|-----------------------------|----------------------------------|
| Wire Gauge                  | Max. Connection Wire Length (FT) |
| 18                          | 90                               |
| 16                          | 95                               |
| 14                          | 100                              |
| 12                          | 105                              |