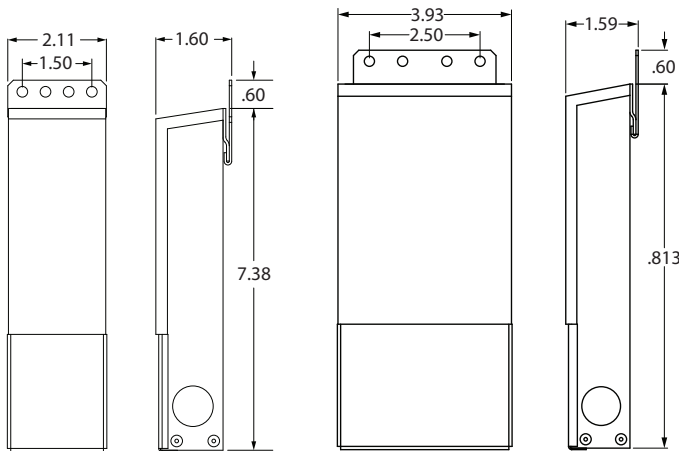


### Profile Dimensions



**Please verify the contents of the packages!**

**Please read instructions entirely before starting installation**

**Be sure power is turned off before installing or modifying the unit.**

**Call Tivoli, LLC tech support with questions**

**Caution:** This Power Supply is designed to work on 277V AC line voltage only. Use of any other power source will cause damage and will void the warranty. This Power Supply is certified for Class 2 applications.

**Consult** any and all applicable local and national codes for installation.

**Do not** conceal or extend exposed conductors through a building wall as per local electrical code.

**Warning:** Basic safety precautions should always be followed to reduce the risk of fire, electric shock and personal injuries. This power supply should be installed by a certified professional.



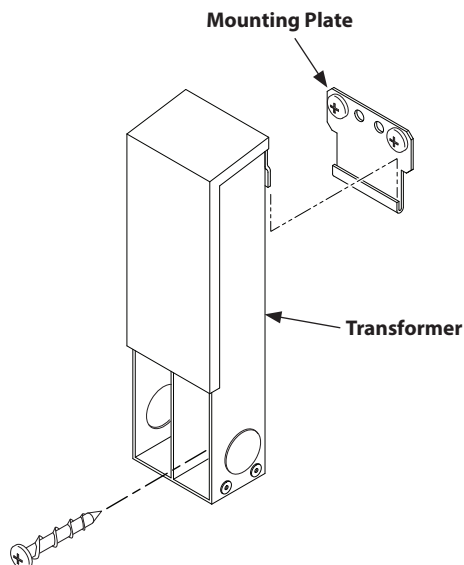
### Installation Instructions

#### Mounting Location Requirements

This Transformer must be mounted in a location with at least 6" of open space all around the unit for proper ventilation. When multiple Transformers are installed, there must be 12" of space between Transformers. This transformer must never be mounted next to or above heat radiating equipment. The maximum ambient temperature should not exceed 50° C (110° F). The enclosure is NEMA 3R rated for outdoor applications.

**Outdoor Installation:** The unit must be mounted vertically for outdoor applications. Attach Mounting Plate to rigid vertical surface with 2 Screws appropriate for mounting surface (by others). Hang Transformer on the hook of the Mounting Plate. An additional mounting hole is located inside the transformer box at the bottom of the unit to secure the transformer to the wall.

**Indoor Installation:** For Indoor Installation, the unit can be installed vertically, as with outdoor Installation, and it may be mounted horizontally or horizontally face-down for ceiling applications. Use the Mounting Plate and also the third hole at the bottom of the unit.



#### Connection

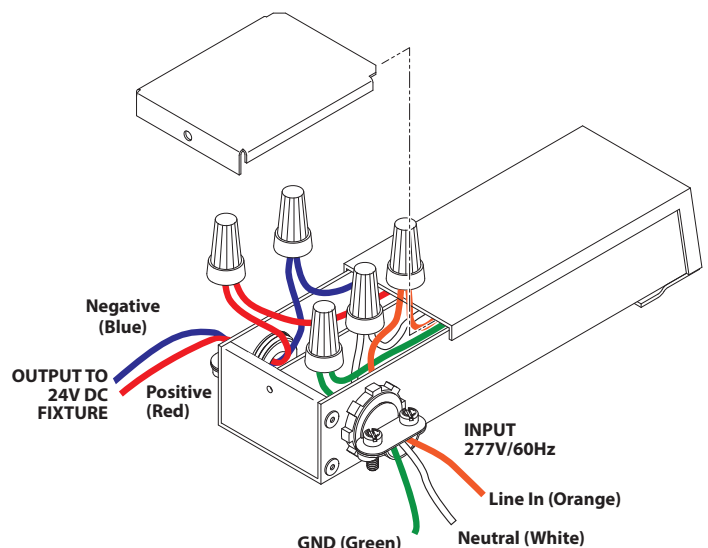
Open the wire compartment and remove knockouts for input and output. Install strain reliefs (wire clamps) for 3/4" hole size. Input and output lead wires are 18AWG.

**Input Connection:** Bring Positive (Orange) and Negative (White) Power Lines through Strain Relief on the input side of the Transformer. Connect to Black and White Transformer Leads using the correct size and UL approved Wire Nuts.

**Output Connection:** Bring luminaire wires through the Strain Relief on the output side of the Transformer. Connect to the Red (+) and Blue (-) Transformer Leads. Use the correct size and UL approved Wire Nuts. **Caution:** Make sure all connections are very tight.

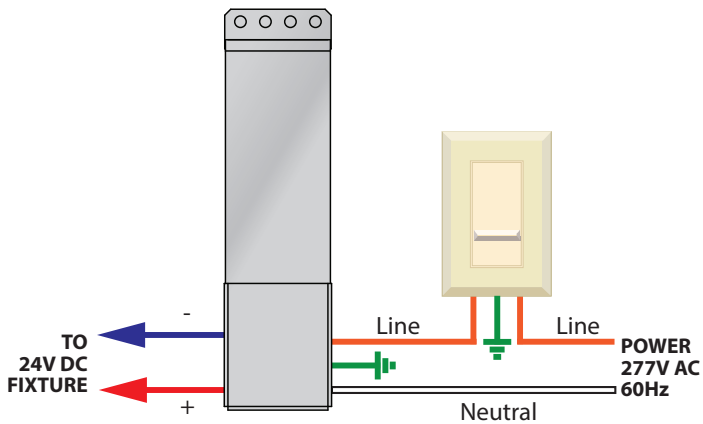
**Note:** This transformer requires a minimum 50% load to function properly.

**Grounding:** The Core and Coil Assemblies are grounded to the enclosure. The enclosure in turn should be grounded in accordance with NEC and local code. Connect the green transformer wire to the ground.



## Installation Instructions (Continued)

### Wiring Schematic For Dimmer



## Transformer Specifications

CAT NO	APPLICATION	PRIMARY AND SECONDARY	TOTAL WATTAGE / AMPS PER BREAKER	LISTING	DIMENSIONS	TYPE	DIMMING
EMMLH101.424	Indoor / Outdoor	277V AC / 24V DC	10 / 1X4A	cETLus	2.11"W X 7.38"L X 1.60"D	Magnetic	MLV / ELV
EMMLH201.824	Indoor / Outdoor	277V AC / 24V DC	20 / 1X4A	cETLus	2.11"W X 7.38"L X 1.60"D	Magnetic	MLV / ELV
EMMLH4011.724	Indoor / Outdoor	277V AC / 24V DC	40 / 1X4A	cETLus	2.11"W X 7.38"L X 1.60"D	Magnetic	MLV / ELV
EMMLH961424	Indoor / Outdoor	277V AC / 24V DC	96 / 1X4A	cETLus	2.11"W X 7.38"L X 1.60"D	Magnetic	MLV / ELV