

Please verify the contents of the packages!

Please read instructions entirely before starting installation

Be sure power is turned off before installing or modifying the system

Call Tivoli, LLC tech support with questions

Caution: Edge Channel is designed to work with Tivotape™ LED lighting tape powered by listed Class 2 24V DC transformers only. Use of any other power source will cause damage, shorten the life of the fixture and will void the warranty.

Consult any and all applicable local and national codes for installation.

Do not conceal or extend exposed conductors through a building wall as per local electrical code.

Warning: With any luminaire for any application, basic safety precautions should always be followed to reduce the risk of fire, electric shock and personal injuries. This lighting system must be installed in accordance with applicable installation code by a person familiar with the construction and operation of the product and the hazards involved.

Installation Instructions

Before Installation

Determine the location of installation and lengths of Edge Channel that will be needed. Determine power and connection requirements. Cut channel to required lengths prior to installation and if layout calls for channel to meet at a corner or intersection, cut all mitered corners in advance.

Installing the Channel

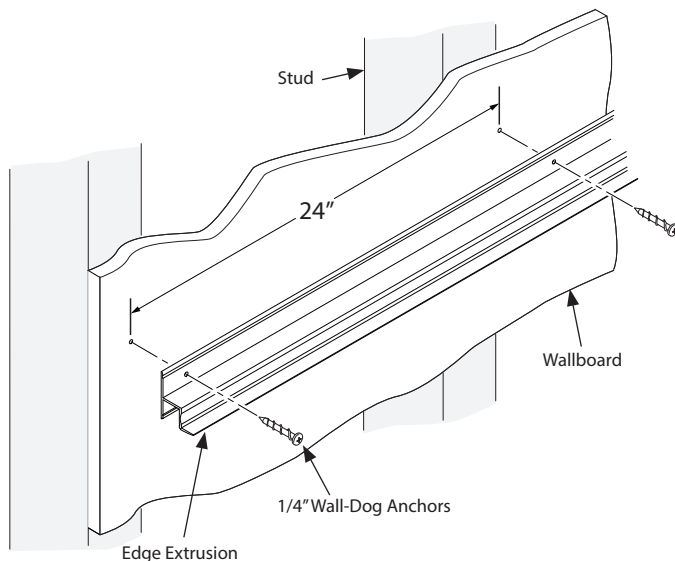
Step 1: Drill holes in channel for mounting, as shown, using 1/4" bit. Holes should be centered vertically in the flange. Place the first end hole within 2" of edge of channel and locate subsequent holes 24" apart, locating them to coincide with the wall studs to support the weight of ceiling panels and framework.

Note: Drill matching pilot holes in mounting surface using 3/16" bit. If using recommended Wall-Dog™ Screws, pre-drill holes in concrete, masonry or plaster. No pilot holes are required when mounting to wood.

Step 2: Fasten Edge Channel to wall using Wall-Dog™ Screws (by others). Review the following charts for maximum allowable load capacities for this lighting system.

Material	1/2" Wallboard	5/8" Wallboard	3/4" Plywood
Shear LBs	60	90	150

Material	Anchor Location	Grout-Filled Concrete Masonry	Hollow Concrete Masonry	Brick Masonry
Shear LBs 1" Min. Embedment Depth	Center of Unit	165	165	180
	T-Joint	185	185	165



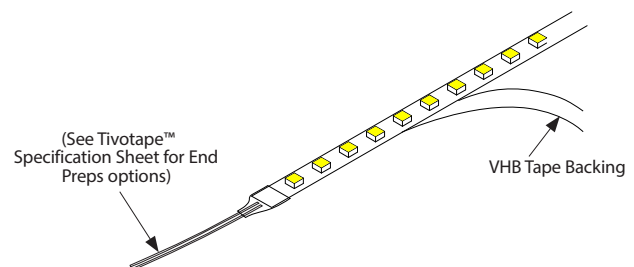
Installing Tivotape™

Step 1: Identify Tivotape™ from supplied lengths to fit the area as marked. Start applying Tivotape at the end of the channel closest to the power supply.

Step 2: Trim off excess length at cutoff zones only. See Installation Instructions for the model of Tivotape to be installed for more information.

Step 3: Make sure surface where Tivotape™ is to be installed is smooth, clean, free of dirt, oil and debris.

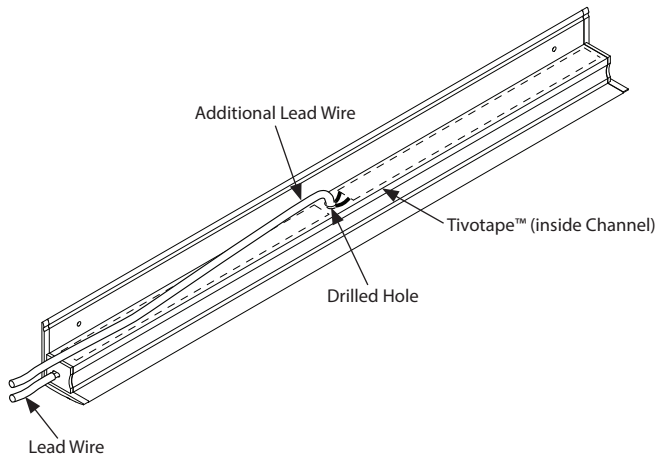
Step 4: Peel off VHB tape backing and apply Tivotape™ to clean, smooth, surface area. See Tivotape Installation instructions for the product type being installed for more information.



Installation Instructions (Continued):

Installing Tivotape™ (Continued)

Step 5: If more than one run of light tape is required, drill a hole in the top of the channel and pass the lead wires through it. Run the wiring over the top of the channel to the power supply.

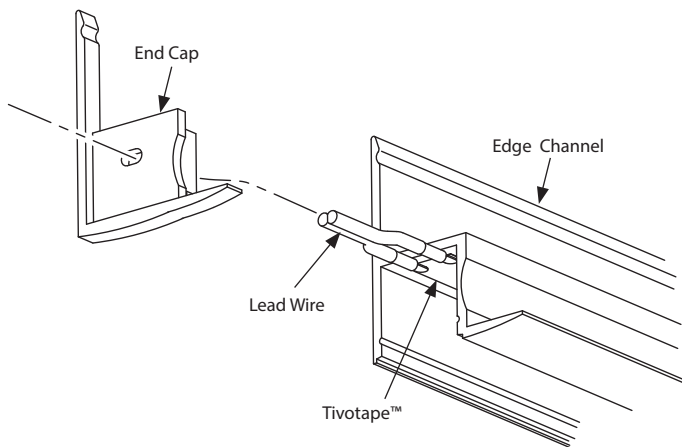


Step 6: Run wiring to Power Supply and connect wiring runs to Transformer. See Installation Instructions for the variety of Tivotape™ being installed for more information.

Install End Caps

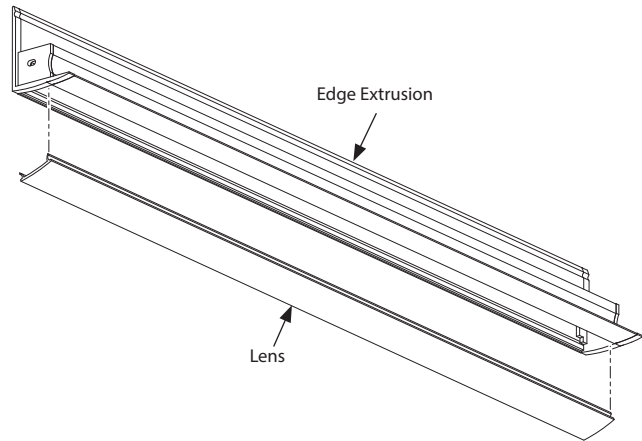
Step 1: If layout requires End Caps, run the wiring through the hole in the lead End Cap before routing wiring to the power supply.

Step 2: Install End Cap without hole at the trail end of the channel.

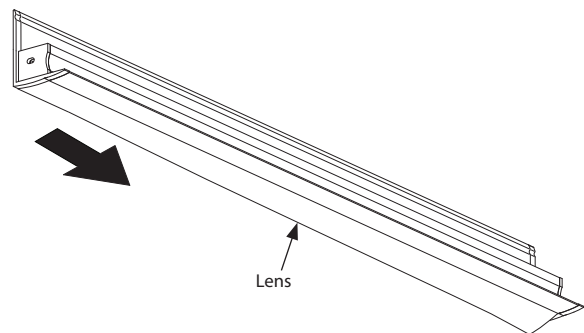


Installing The Lens

Step 1: Position Lens in place along one side of the channel.



Step 2: Starting at one end of the Channel, press the side of the lens until it snaps into place. Continue pressing the lens down while sliding your hand along the lens to finish pressing it into place along the length of the Channel.



Step 3: Install ceiling framework and ceiling panels.

