

Flexile LG System Installation Instructions



Warnings and Safety

- Please verify the contents of the package!
- Please read instructions before starting the installation.
- Make sure the power is off before installing or modifying the system.
- Call Tivoli LLC tech support with any questions.
- This product is designed to work with listed Class 2, 24V DC transformers only. Use of any other power source will cause damage, shorten the life of the fixture, and will void the warranty.
- Consult any local and national codes for installation.
- Follow basic safety precautions when dealing with any luminaire application to reduce the risk of fire, electrical shock, and/or personal injuries. This lighting system should be installed by a certified professional.

- **Do not** immerse in water as product damage may result. Flexile is rated IP65 for outdoor use.
- **Do not** cut into this product in any way. Flexile is not designed to be cut in the field. Determine length requirements when ordering from the factory.
- **Do not** bend tighter than a minimum radius of 1.25”.
- **Do not** exceed the maximum run length.
- **Do not** use this product for other than its intended use.
- **Do not** install this lighting system where the exposed bare contacts can be shorted or contact any conductive material to reduce the risk of fire and burns.
- **Do not** use any luminaire if damaged, such as a broken globe, loose connections, or frayed wire insulation. Inspect periodically.
- **Do not** secure any luminaire with staples, nails or like means that might damage the wire insulation.
- **Do not** cover lamps with cloth, paper or any material that is not part of the product.

Flexile LG System Installation Instructions



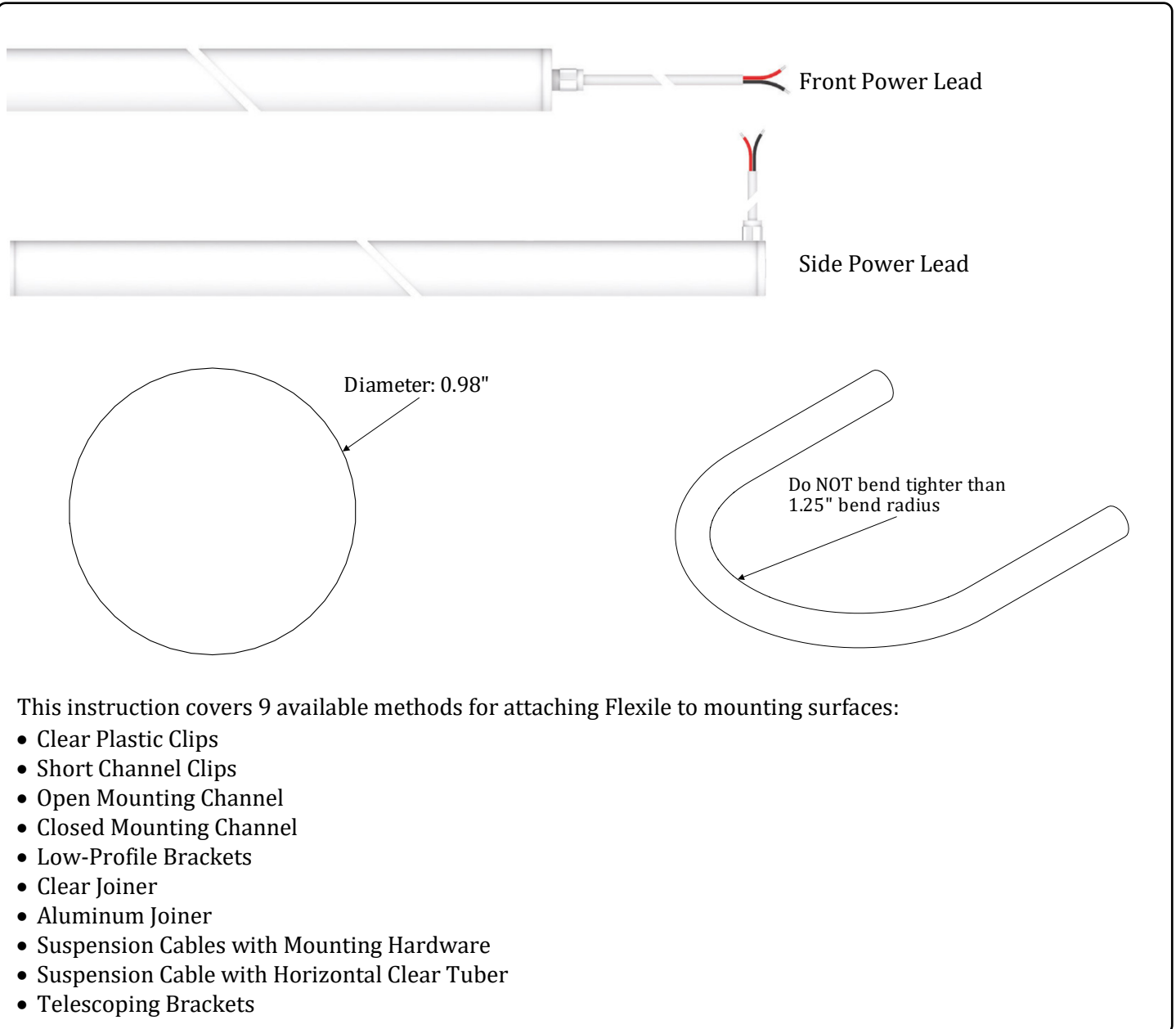
Table of Contents

Warnings and Safety	1
Product Overview	3
Clear Plastic Clips	4
Short Channel Clips	5
Open Mounting Channel	6
Closed Mounting Channel	6
Low Profile Brackets	7
Clear Joiner.....	8
Aluminum Joiner.....	8
Semicircle Surface Mounting Bracket.....	9
Suspension Cables with Mounting Hardware	10
Suspension Cable with Horizontal Clear Tube.....	12
Telescoping Brackets.....	13
Power Supply Wiring Diagram	14

Flexile LG System Installation Instructions



Product Overview

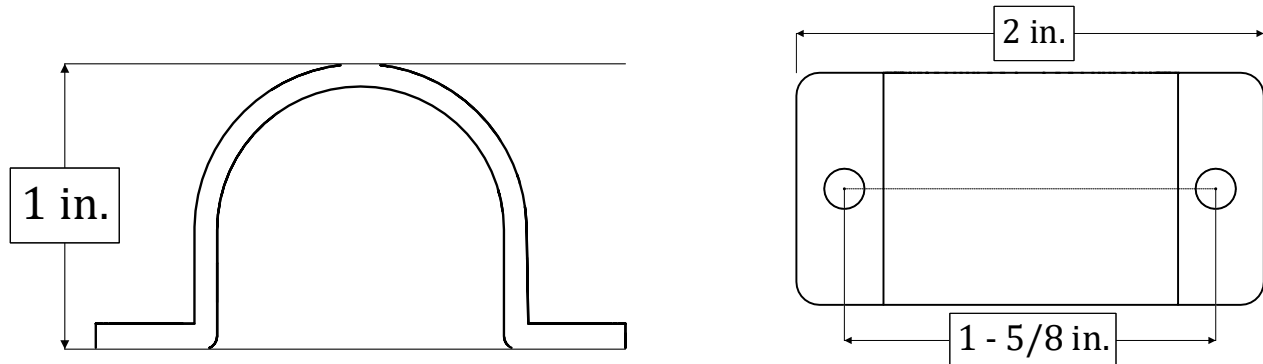


Flexile LG System Installation Instructions

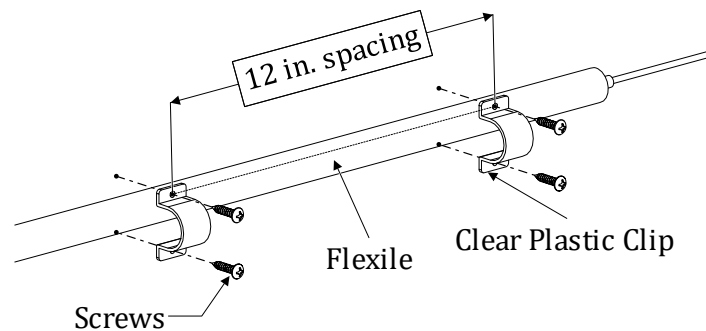


Clear Plastic Clips

Use the Clear Plastic Clips (**FLX-LG-CL-CLIP**) for tighter, more intricate layouts. There is a recommended on-center spacing of 12 in. between each clip.



1. Position the Flexile against the mounting surface with the clear plastic clips positioned over the Flexile. Use the appropriate No. 6 screws to secure the clear plastic clips over the Flexile.



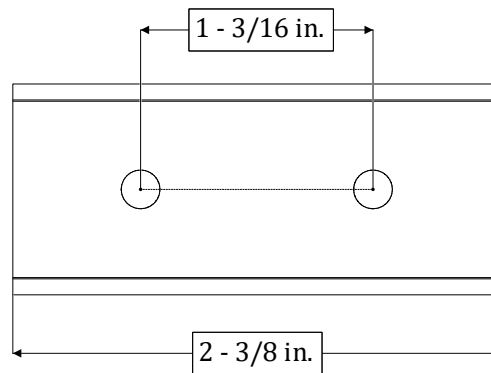
2. Repeat Step 1 for every clear plastic clip position until the entire length of the Flexile is secure to the mounting surface.
3. Connect the lead wire to the power supply.

Flexile LG System Installation Instructions

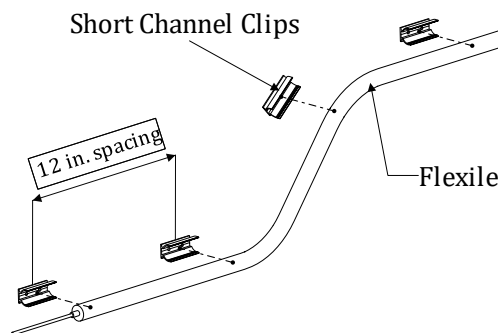


Short Channel Clips

Use the Short Channel Clips (**FLX-LG-OP-CLIP**) for designs with a combination of straight and curved sections. For wall mount only. There is a recommended on center spacing of 12" between each clip.



1. Position the short channel clips on mounting surface following the design pattern. Use the appropriate No. 6 screws to secure the short channel clips.



2. Press the Flexile body into each short channel clip until the entire length of Flexile is mounted in all the clips.
3. Connect the lead wire to the power supply.

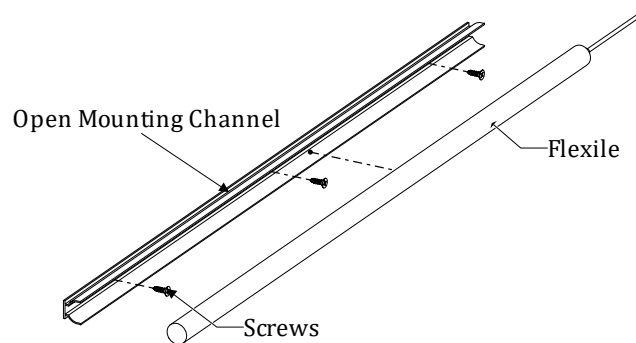
Flexile LG System Installation Instructions



Open Mounting Channel

Use the Open Mounting Channel (**FLX-LG-OP-CHAN**) for straight runs of Flexile. Channel is supplied from the factory in 6.5' lengths. For wall mount only.

1. Position the open mounting channel to the mounting surface. Use the appropriate No. 6 screws to secure the open mounting channel.
2. Press the Flexile body into the open mounting channel starting at one end and continue to press down along until the entire length of Flexile until it is fully inserted.

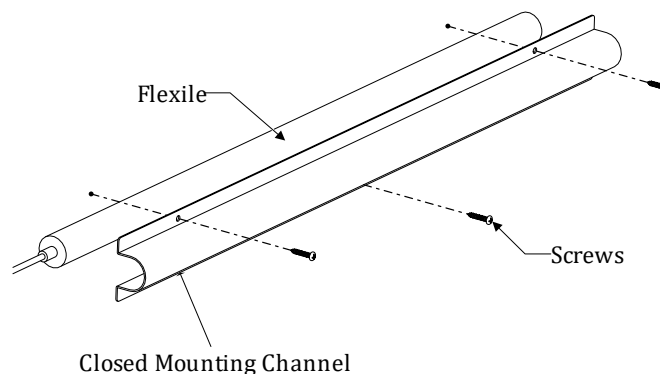


3. Connect the lead wire to the power supply.

Closed Mounting Channel

Use the Closed Mounting Channel (**FLX-LG-CL-CHAN**) for straight runs of Flexile. Channel is supplied from the factory in 6.5' lengths. For wall mount only.

1. Insert the Flexile into the closed mounting channel by starting at one end and pressing along the length of the fixture until it is fully inserted in the channel.
2. Position the channel/Flexile assembly to the mounting surface. Use the appropriate No. 6 screws to secure the open mounting channel.



3. Connect the lead wire to the power supply.

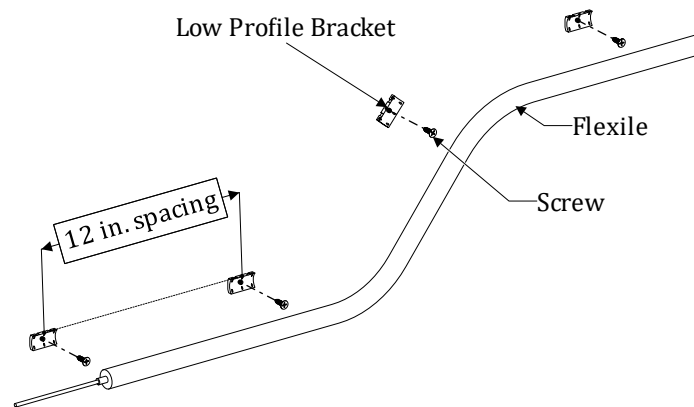
Flexile LG System Installation Instructions



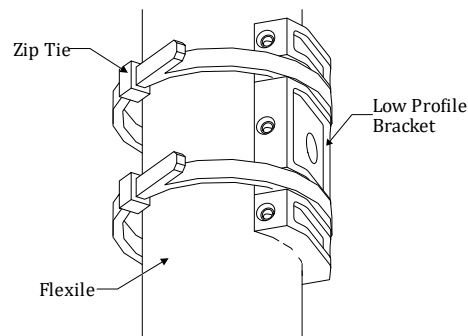
Low Profile Brackets

Use the Low-Profile Brackets (**FLX-LG-MTBK-LP**) for designs with straight and curved sections. For wall mount only. There is a recommended on center spacing of 12". between each bracket.

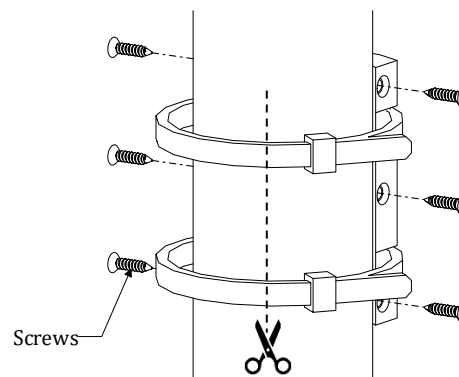
1. Position the low-profile brackets to the mounting surface and use the appropriate No. 6 screws to secure them.



2. Press the Flexile body into each low-profile bracket one at a time, using zip ties to temporarily secure Flexile.



3. Use six screws to secure Flexile and then remove zip ties by cutting them. Repeat for the entire length of Flexile.

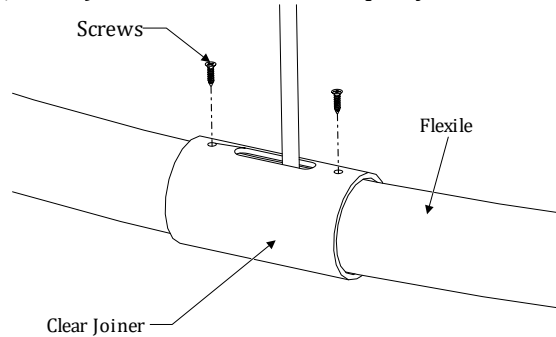


Flexile LG System Installation Instructions



Clear Joiner

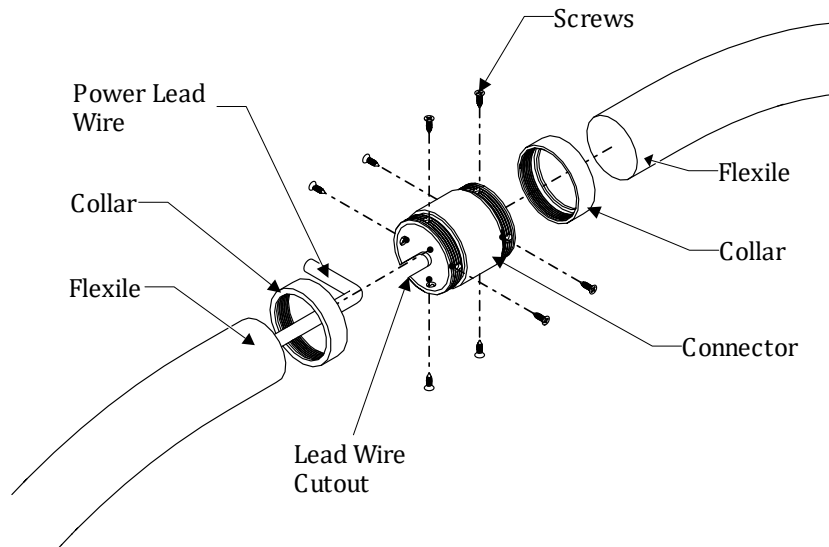
Use the Clear Joiner (**FLX-LG-CL-JOINR**) to create a closed loops by connecting two ends of Flexile together.



1. Slide the two ends of the Flexile through the clear joiner. If there is a power lead, slide it through the open slot of the joiner.
2. Secure both ends of the Flexile to the joiner using screws.

Aluminum Joiner

Similar to the Clear Joiner, the Aluminum Joiner (**FLX-LG-JOINR-CR**) can also create closed loops by connecting two ends of Flexile together.



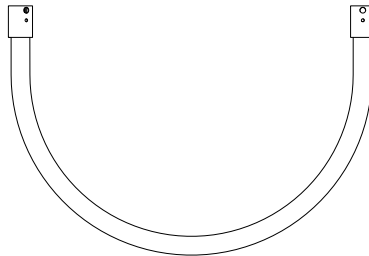
1. Slide Collar over the end of the Flexile.
2. Determine which end of the connector has the lead wire cutout.
3. Insert the end of the Flexile into the connector and secure with 4 screws (included).
4. Insert another collar over the end of another Flexile (if making a ring, place the collar over the other end of the same Flexile). Insert it into the connector and secure with 4 screws (included).
5. Mount fixture to mounting surface using any of the mounting bracket options and connect to power.

Flexile LG System Installation Instructions

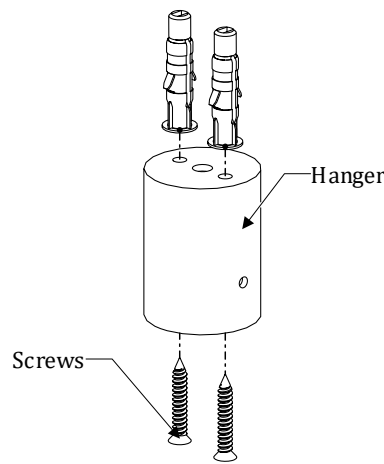


Semicircle Surface Mounting Bracket

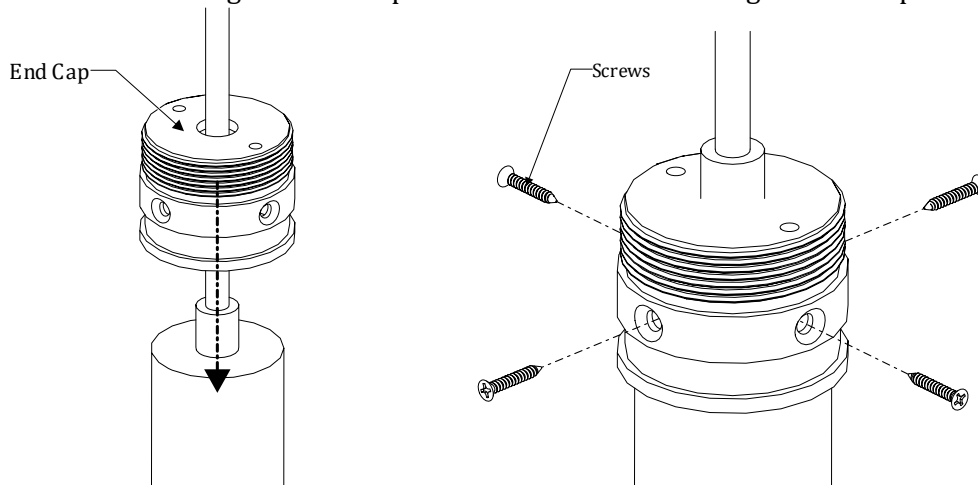
Use the Semicircle Surface Mounting Bracket (**FLX-LG-MTBK-SEMICIRCLE**) to create a flush mount semi-circle shape of the Flexile Light.



1. Secure Hanger to surface using screws appropriate for mounting surface, e.g.: wood screws for wood (drywall installation shown). Determine the location for the other end and repeat.



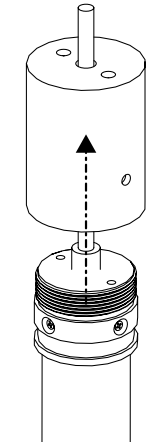
2. Route the Lead Wire through the end cap and secure the Flexile using screws. Repeat for the other end.



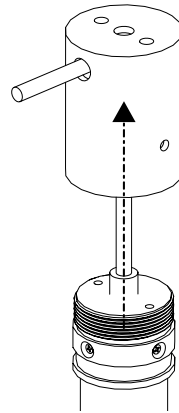
Flexile LG System Installation Instructions



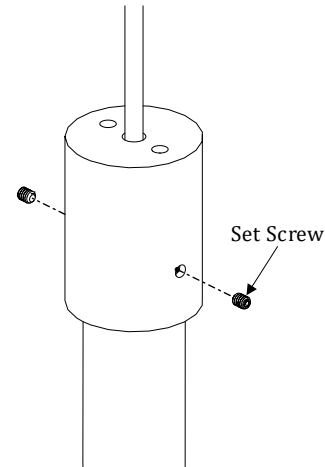
3. Route the power lead through the top hole of the hanger or the side hole of the hanger and secure the hanger on the end cap using set screws.



Straight Feed



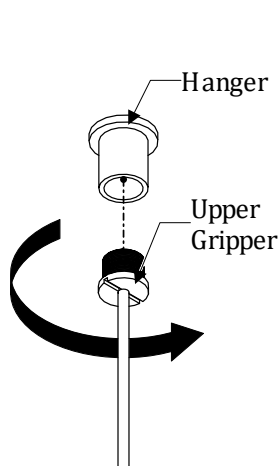
Side Feed



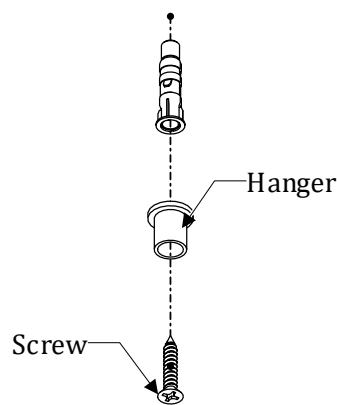
4. Connect the power lead to power supply.

Suspension Cables with Mounting Hardware

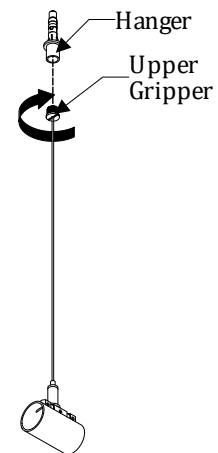
Use the Suspension Cables with Mounting Hardware (**FLX-LG-SUS-MTBK-1**) to create suspended runs of Flexile. There is a recommended center spacing of 12" between each mounting point.



Step 1



Step 2



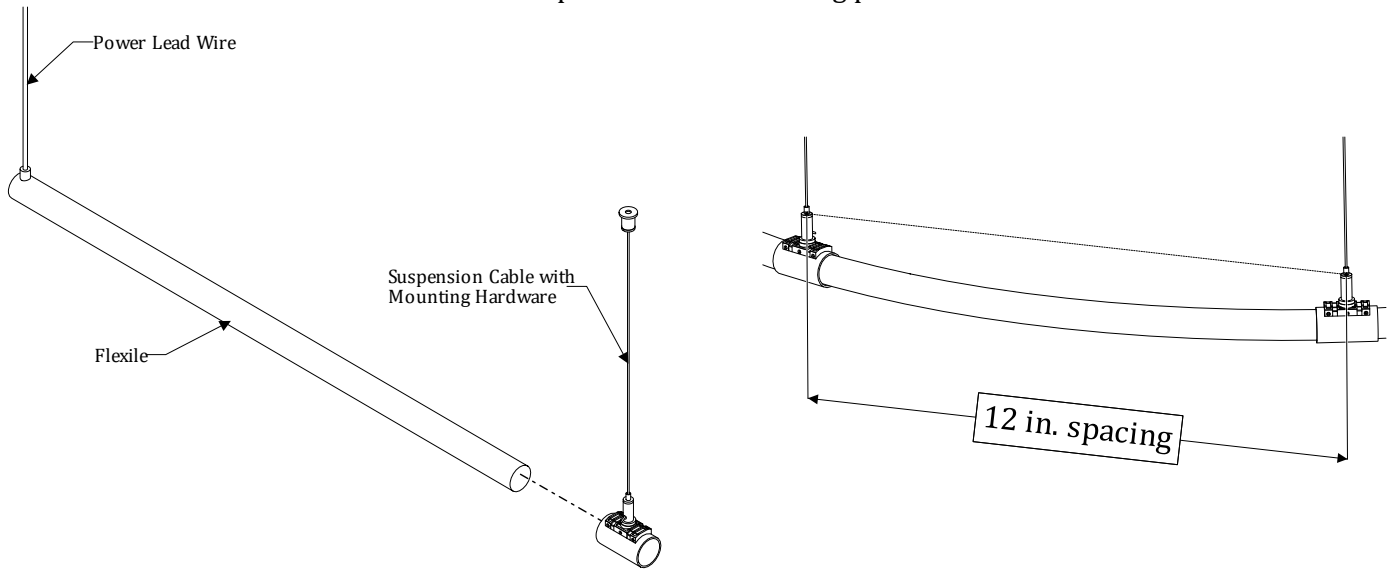
Step 3

1. Unscrew the gripper unit from the hanger.
2. Drill a hole in mounting surface and secure hanger to surface using the appropriate screws (drywall installation shown below).
3. Screw the upper Cable Gripper into the Hanger.
4. Repeat Steps 1 to 3 for other mounting points.

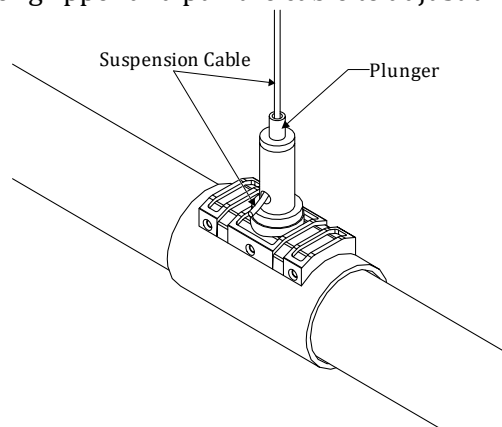
Flexile LG System Installation Instructions



5. Slide the Flexile into the clear tube. Repeat for each mounting point.



6. Press the plunger on the lower gripper and pull the cable to adjust the hanging height of the fixture.



7. Connect the power lead to the power supply.

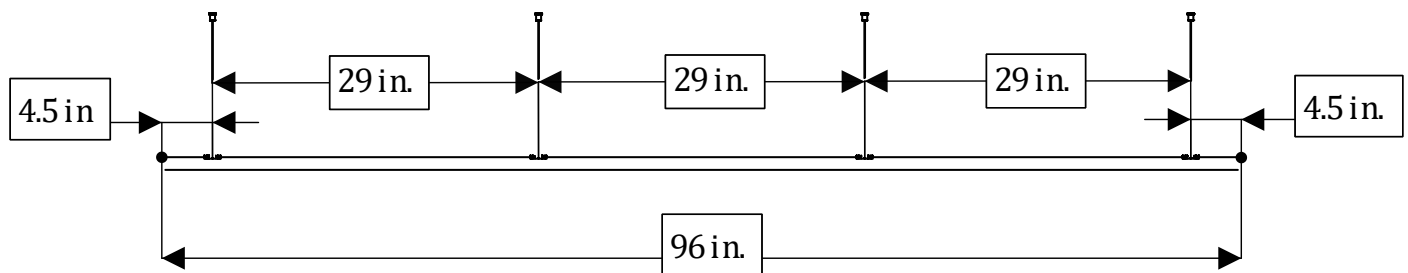
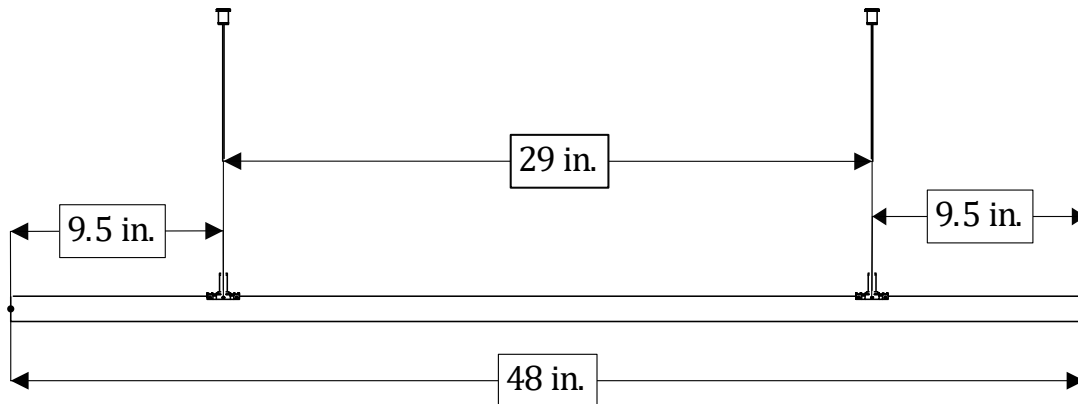
Flexile LG System Installation Instructions



Suspension Cable with Horizontal Clear Tube

There is an option for longer horizontal, clear polycarbonate tubes (FLX-LG-H-X-PNDT) offered in 4 feet (**X=4**) and 8 feet (**X=8**). The dimensions are shown below.

1. Follow Steps 1-6 of the Suspension Cables with Mounting Hardware section. The suspension cables are mounted the same way.



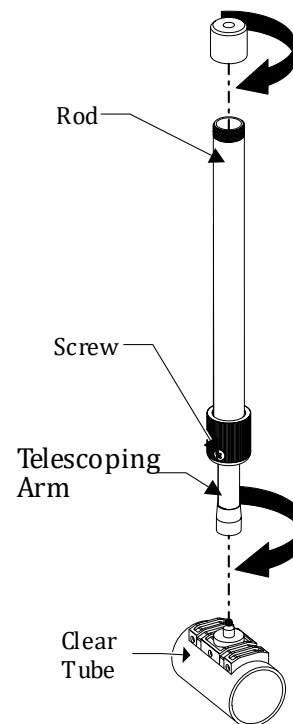
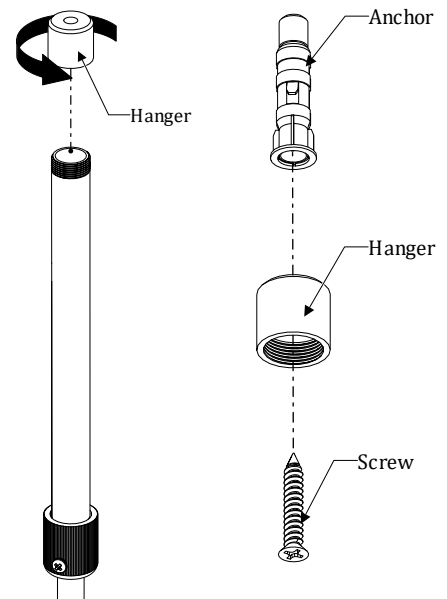
Flexile LG System Installation Instructions



Telescoping Brackets

Use Telescoping Bracket (FLX-LG-TEL-MTBK-1) to create suspended curved suns of Flexile. There is a recommended center spacing of 12" between each mounting point.

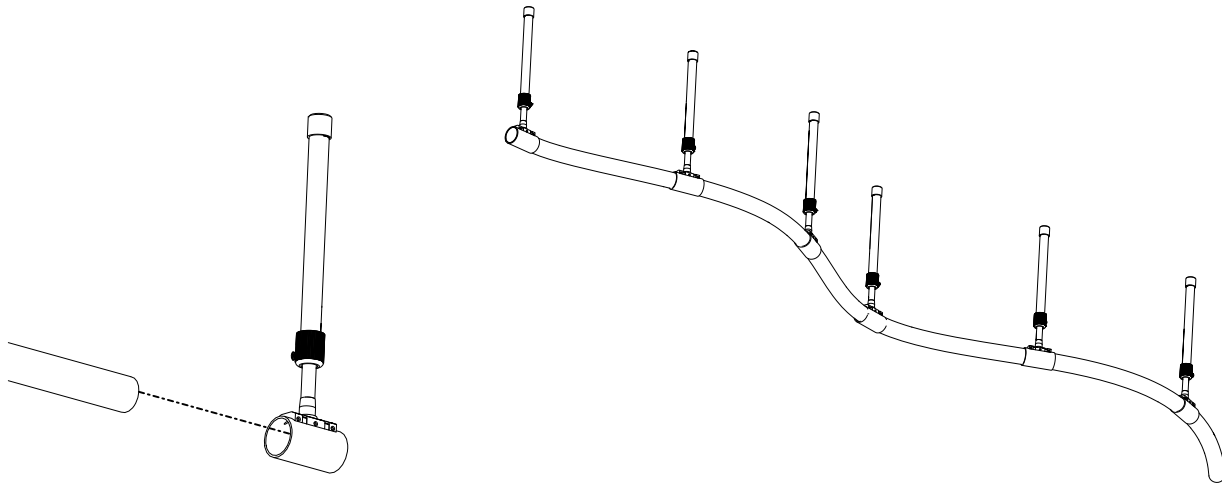
1. Unscrew the upper hanger.
2. Drill a hole in the mounting surface and secure the hanger to the surface using the appropriate screws (drywall installation shown below).
3. Attach the clear tube to the bottom of the rod and screw the rod into the hanger.
4. Set telescoping arm to desired length and orient the tube to desired angle, then lock the position using the screw.



Flexile LG System Installation Instructions



5. Slide the Flexile assembly into the Suspension Hanger as shown.



6. Connect lead wire to power supply.

Power Supply Wiring Diagram

There are many possible options for powering Flexile. See the specification sheet for more information. See the specification sheet and related power supply specification sheets for more information and detailed wiring instructions.

