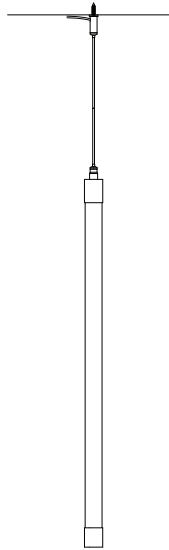
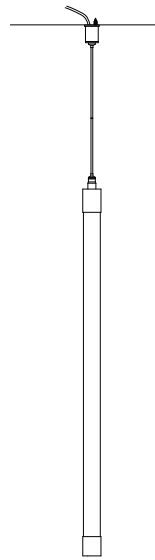


Profiles



**Vertical Pendant with Side Power Feed  
FLXPNDTV-LG-SO**



**Vertical Pendant with Top Power Feed  
FLXPNDTV-LG-TO**

**Please verify the contents of the packages!**

**Please read instructions entirely before starting installation**

**Be sure power is turned off before installing the system**

**Call Tivoli, LLC tech support with questions**

**Caution:** Flexile LG is designed to work with listed class 2 24V DC transformers only. Use of any other power source will cause damage, shorten the life of the fixture and will void the warranty.

**Consult** any and all applicable local and national codes for installation

**Do not** conceal or extend exposed conductors through a building wall as per local electrical code.

**Warning:** With any luminaire for any application, basic safety precautions should always be followed to reduce the risk of fire, electric shock and personal injuries. This lighting system should be installed by a certified professional.



Vertical Hanging Pendant Options Installation

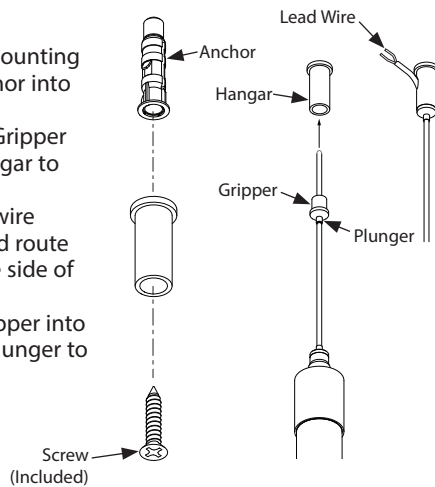
**HANGAR WITH SIDE POWER FEED FLX-LG-V-PNDT-S**

**Step 13:** Drill hole in mounting surface and Insert Anchor into hole.

**Step 14:** Unscrew the Gripper unit and screw the Hangar to the ceiling.

**Step 15:** Run the lead wire through the hanger and route through the hole in the side of the Hangar.

**Step 16:** Screw the Gripper into the hanger. Press the plunger to adjust the wire length.



**HANGAR WITH TOP POWER FEED FLX-LG-V-PNDT-T**

**Step 13:** Drill hole in mounting surface and Insert Anchor into hole.

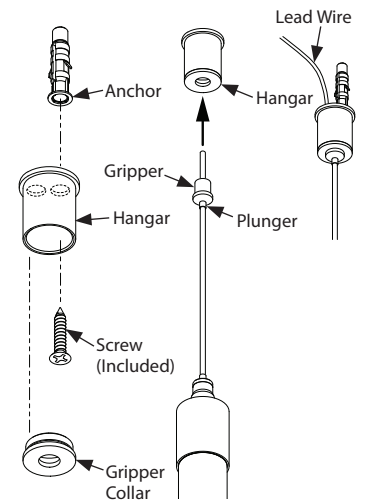
**Step 14:** Unscrew the Gripper and Collar. Screw the Hangar to the ceiling.

**Step 15:** Drill hole in mounting surface for Lead Wire.

**Step 16:** Replace the Gripper Collar.

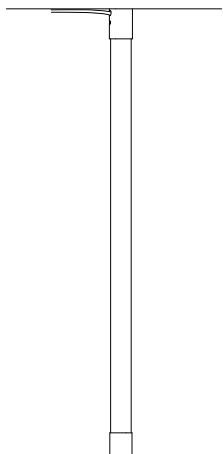
**Step 17:** Run the lead wire through the hanger and route it through the hole at the top of the Hangar.

**Step 18:** Screw the Gripper into the hanger. Press the plunger to adjust the wire length.



Total Maximum Run Length		
Luminaire	Watts/ft	Maximum Electrical Run Length
Flexile LG	4.5	20'

Profiles



**Flush Mount Vertical Hanging Fixture  
FLXPNDTV-LG-SF**

**Please verify the contents of the packages!**

**Please read instructions entirely before starting installation**

**Be sure power is turned off before installing the system**

**Call Tivoli, LLC tech support with questions**

**Caution:** Flexile LG is designed to work with listed class 2 24V DC transformers only. Use of any other power source will cause damage, shorten the life of the fixture and will void the warranty.

**Consult** any and all applicable local and national codes for installation

**Do not** conceal or extend exposed conductors through a building wall as per local electrical code.

**Warning:** With any luminaire for any application, basic safety precautions should always be followed to reduce the risk of fire, electric shock and personal injuries. This lighting system should be installed by a certified professional.

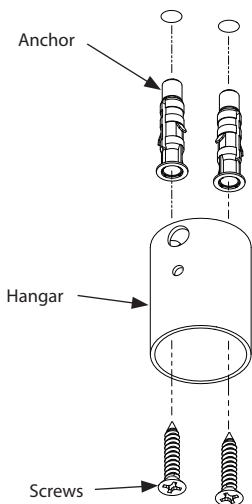
### Flush Mount Hanging Options Installation



**Step 1:** Drill 2 holes in mounting surface and Insert Anchors into holes.

**Step 2:** Attach Hangar to mounting surface with two screws.

**Note for Hanging Loop:** Repeat Step 1 and 2 for the opposite end of the loop.

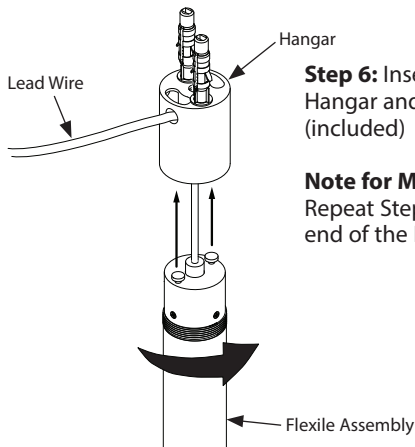


**Step 3:** Route the Lead Wire through the hangar and out the hole in the side of the Hangar.

**Step 4:** Insert the end of the Flexile assembly into the Hangar making sure the pins are inserted into the receiving holes inside the Hangar.

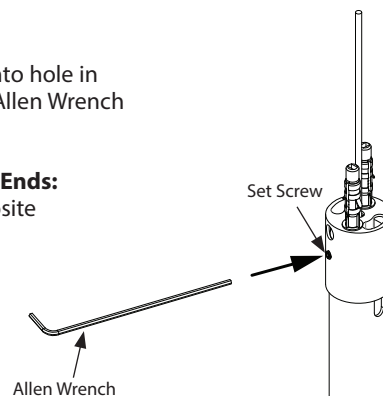
**Step 5:** Turn fixture to capture the pins in the mounting brackets.

**Note for Mounting both Ends:** Repeat steps 2, 4, and 5 for the opposite end of the Loop. Then proceed to step 6.



**Step 6:** Insert Set Screw into hole in Hangar and tighten with Allen Wrench (included)

**Note for Mounting both Ends:** Repeat Step 6 at the opposite end of the Loop.



7178083

### Power Supply with 0-10V Sample Wiring Diagram

There are many possible options for dimming Flexile. See the specification sheet for more information. The following wiring diagram is for reference only. Please refer to the installation instruction for the power supply you choose for detailed wiring instructions.

