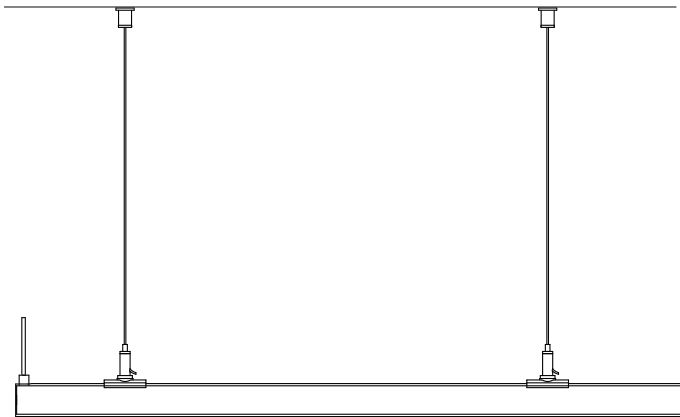


Profile



FLXPNDTH-LG-XX-X-24

**Please verify the contents of the packages!**

**Please read instructions entirely before starting installation**

**Be sure power is turned off before installing the system**

**Call Tivoli, LLC tech support with questions**

**Caution:** Flexile LG is designed to work with listed class 2 24V DC transformers only. Use of any other power source will cause damage, shorten the life of the fixture and will void the warranty.

**Consult** any and all applicable local and national codes for installation

**Do not** conceal or extend exposed conductors through a building wall as per local electrical code.

**Warning:** With any luminaire for any application, basic safety precautions should always be followed to reduce the risk of fire, electric shock and personal injuries. This lighting system should be installed by a certified professional.

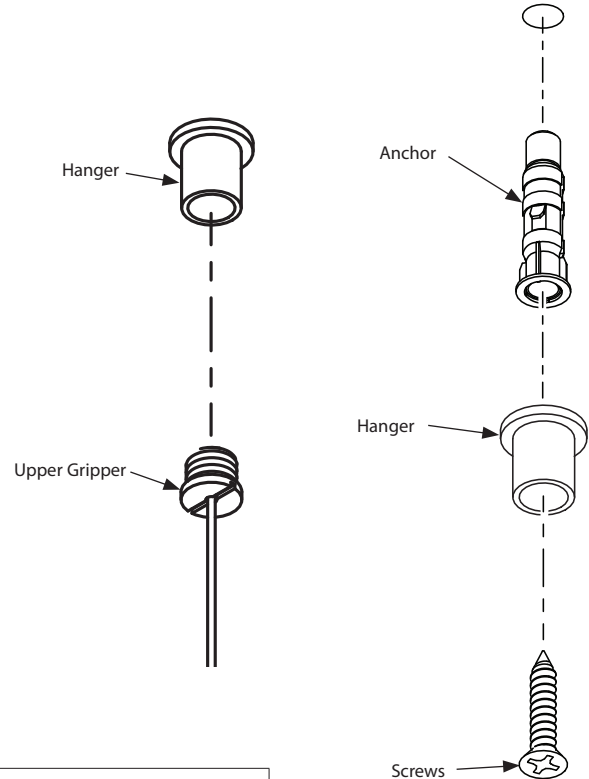
Installation Suspension



**Step 1:** Drill a hole in mounting surface and Insert an Anchor into the hole.

**Step 2:** Unscrew the Gripper unit from the Hanger.

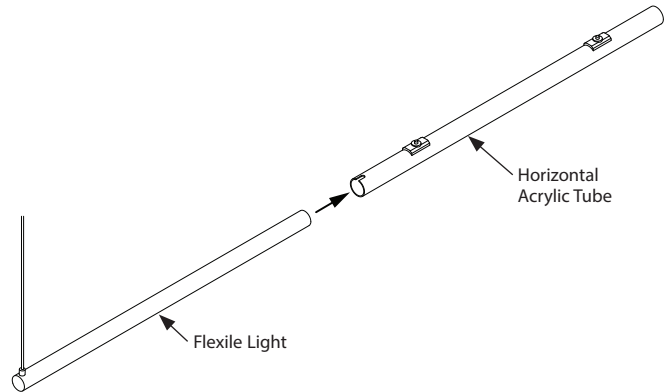
**Step 3:** Screw the Hanger to the ceiling.



Total Maximum Run Length		
Luminaire	Watts/ft	Maximum Electrical Run Length
Flexile LG	4.5	20'

## Installation Suspension (Continued)

**Step 4:** Slide the Flexile assembly into the Clear Acrylic Tube, as shown.

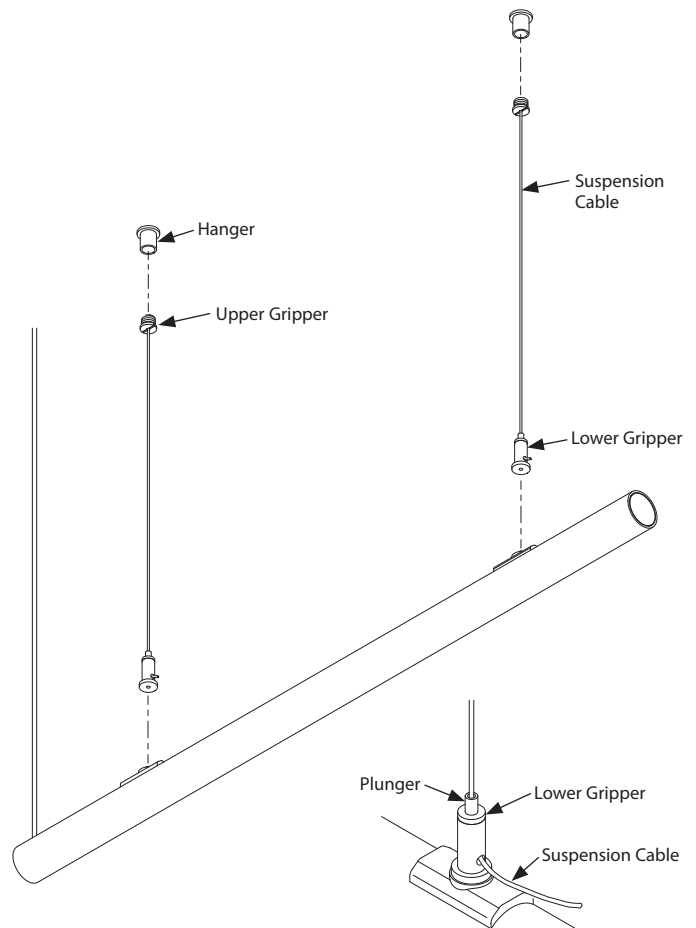


**Step 5:** Screw the upper Cable Gripper into the Hanger.

**Step 6:** Screw the Lower Cable Gripper onto the stud on the Acrylic Tube.

**Step 7:** Depress the Plunger on the Lower Cable Gripper and pull the cable through to adjust the hanging height of the fixture.

**Step 8:** Connect Lead Wire to power.



7178086

## Installation Telescoping Arm

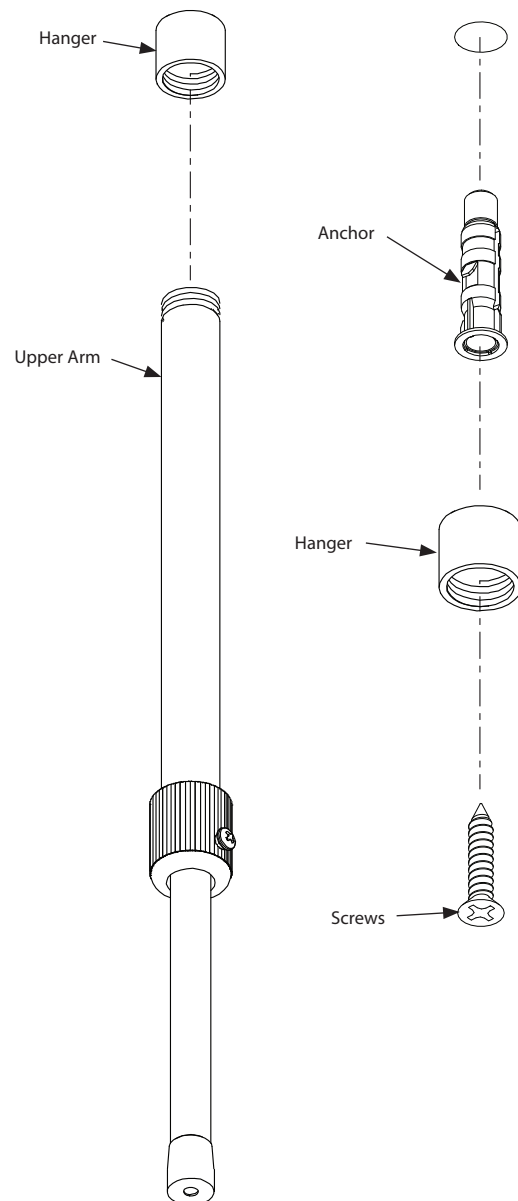
### Profile



**Step 1:** Drill a hole in mounting surface and Insert an Anchor into the hole.

**Step 2:** Unscrew the Hanger from Upper Arm

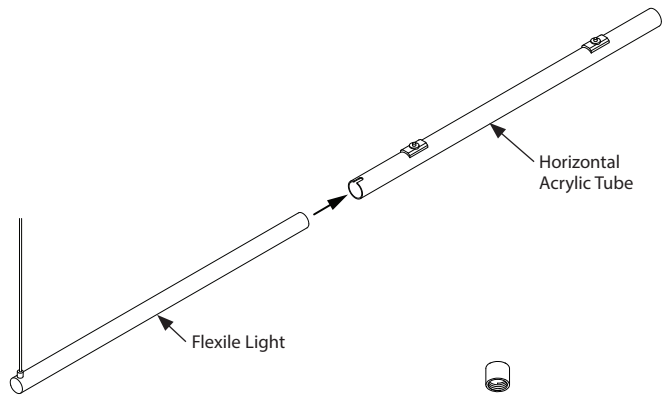
**Step 3:** Screw the Hanger to the ceiling.



7178086

## Installation Telescoping Arm

**Step 3:** Slide the Flexile assembly into the Clear Acrylic Tube, as shown.

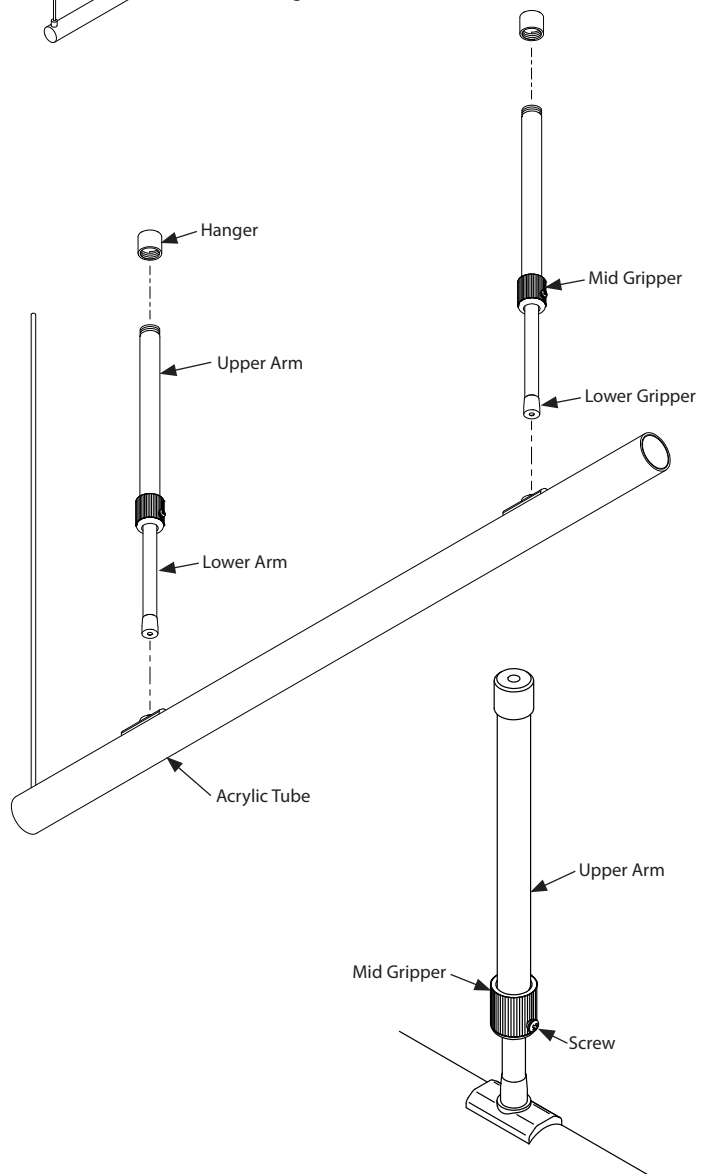


**Step 4:** Screw the Upper Arm into the Hanger.

**Step 5:** Screw Lower Arm onto stud on the Acrylic Tube.

**Step 6:** Set telescoping arm to desired length then tighten Mid Gripper and Screw.

**Step 7:** Connect Lead Wire to power.



### Power Supply with 0-10V Sample Wiring Diagram

There are many possible options for dimming Flexile. See the specification sheet for more information. The following wiring diagram is for reference only. Please refer to the installation instruction for the power supply you choose for detailed wiring instructions.

