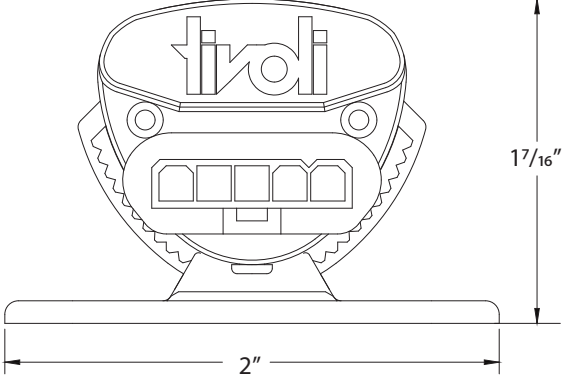


Profile Dimensions



Please verify the contents of the packages!
 Please read instructions entirely before starting installation
 Be sure power is turned off before installing or modifying the system
 Call Tivoli, LLC tech support with questions

Caution: Vast Cove Light™ fixture is designed to work with clean 100-277V AC power only. Use of any other power source will cause damage, shorten the life of the fixture and will void the warranty. It is the manufacturer's recommendation to assure a cumulative leakage current of less than 3.5mA on the control unit.

Do not conceal or extend exposed conductors through a building wall as per local electrical code.

Warning: With any luminaire for any application, basic safety precautions should always be followed to reduce the risk of fire, electric shock and personal injuries.

THIS LIGHTING SYSTEM MUST BE INSTALLED IN ACCORDANCE WITH APPLICABLE INSTALLATION CODES BY A PERSON FAMILIAR WITH THE CONSTRUCTION AND OPERATION OF THE PRODUCT AND THE HAZARDS INVOLVED.
CE PRODUIT DOIT ÊTRE INSTALLÉ SELON LE CODE D'INSTALLATION PERTINENT, PAR UNE PERSONNE QUI CONNAÎT BIEN LE PRODUIT ET SON FONCTIONNEMENT AINSI QUE LES RISQUES INHÉRENTS.



Pre-Installation Instructions

WARNING! Risk of Electrical Shock. Disconnect power before installing, wiring or servicing fixtures. Fixture has no user-serviceable parts. Do not open fixture compartments, except as noted in this document. Do not apply paint, lubricants or other coatings to fixture, suspension cables or fasteners.

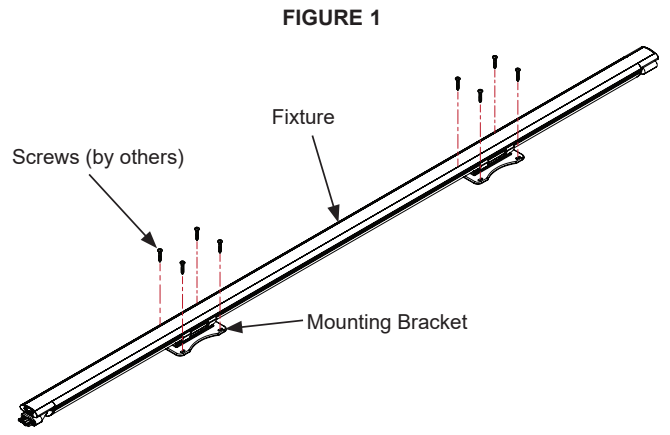
Pour éviter les risques de chocs électriques, débranchez l'alimentation avant l'installation, le câblage ou l'entretien des luminaires. Le luminaire ne comprend aucun élément réparable par l'utilisateur. N'ouvrez pas les compartiments du luminaire, sauf indication contraire dans ce document. N'appliquez pas de peinture, de lubrifiants ou d'autres revêtements sur le luminaire, les câbles de suspension ou les attaches.

Note: Vast Cove Light™ is offered in 12" and 48" lengths. Pay close attention to the installation requirements for the model you are installing.

Step 1: Verify electrical plan and ensure all hardware is present. Plan layout for single or multiple fixtures. Vast Cove Light™ is rated for dry/damp locations and maximum run length is 100'. Fixtures may be connected together with no jumpers or they may be spaced apart using available 1' or 5' Jumpers. (See page 3, Installing Multiple Fixtures)

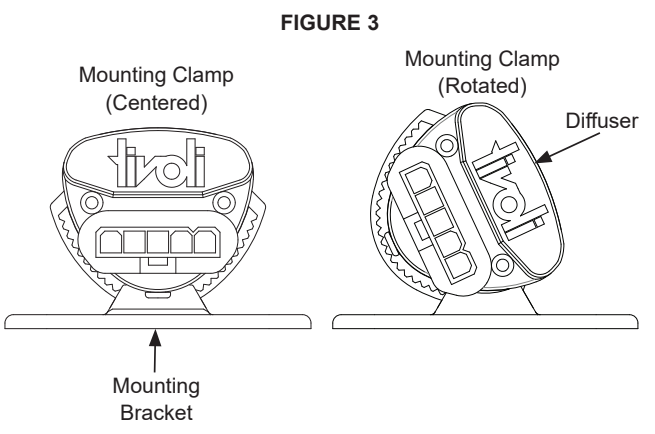
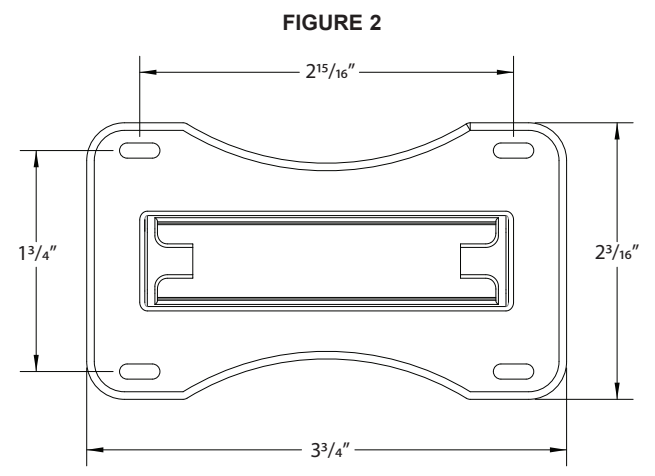
Step 2: Position fixture on mounting surface and mark off mounting holes. (See FIGURE 2)
48" model: Includes two Mounting Brackets. Slide brackets along fixture until there is 36" between centers of brackets.

Installation Instructions



Step 1: Install Mounting Brackets to mounting surface using panhead screws for mounting plastic parts to wood or drywall (by others).

Mounting Bracket Installation Template

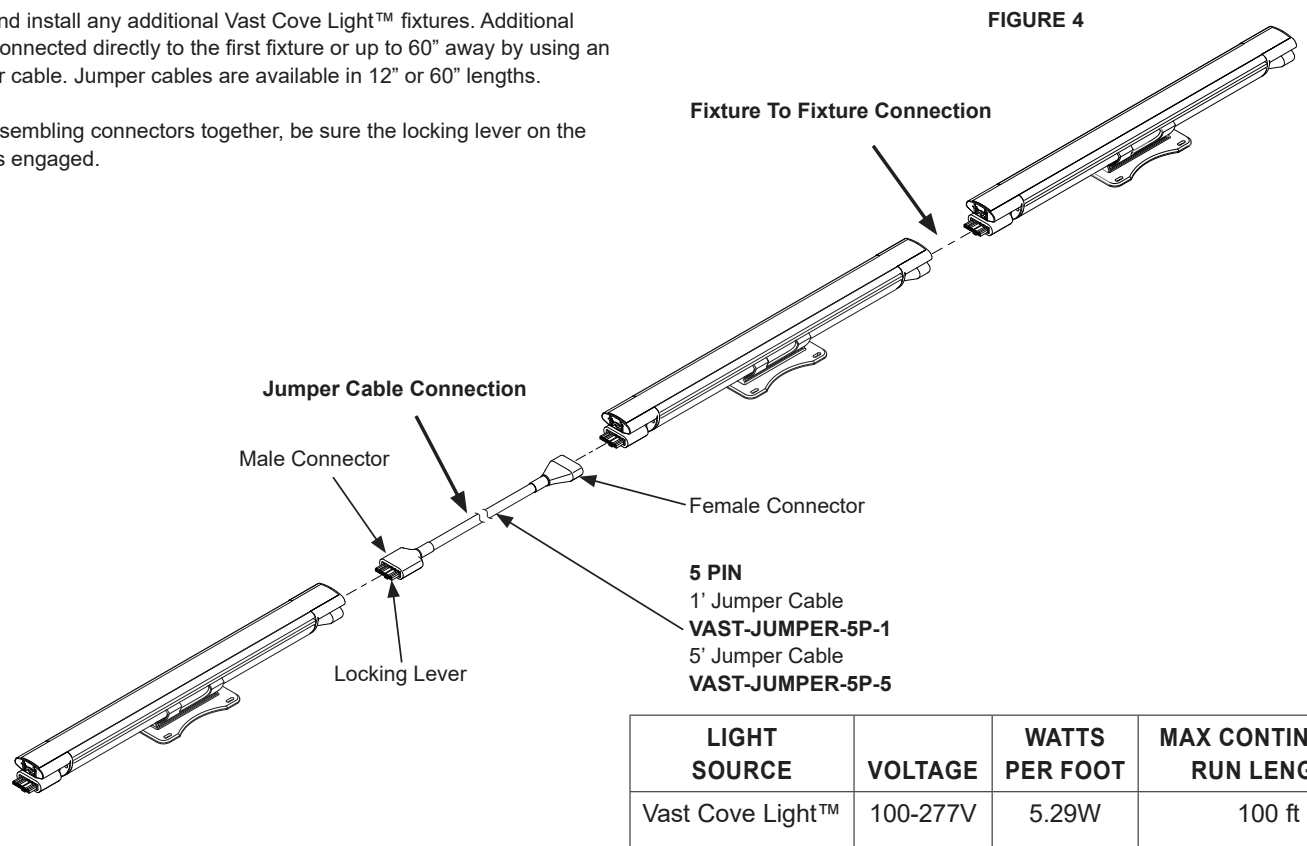


Step 2: Rotate the adjustable mounting clamp on the Bracket to provide the best angle of illumination for the application. Grasp the fixture and carefully push down slightly to disengage the teeth and rotate to the desired position.
48" model: Match the angle of rotation on both Mounting Brackets.

Connection Options

Step 1: Locate and install any additional Vast Cove Light™ fixtures. Additional fixtures may be connected directly to the first fixture or up to 60" away by using an accessory jumper cable. Jumper cables are available in 12" or 60" lengths.

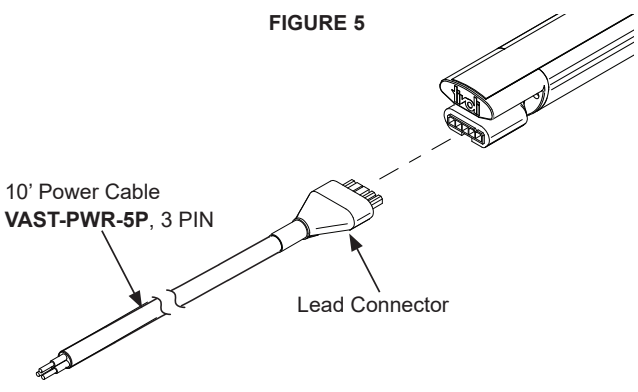
Step 2: When assembling connectors together, be sure the locking lever on the male connector is engaged.



LIGHT SOURCE	VOLTAGE	WATTS PER FOOT	MAX CONTINUOUS RUN LENGTH
Vast Cove Light™	100-277V	5.29W	100 ft

Connecting to Line Voltage

ELV Dimming Configuration



Connecting to Power
Step 1: Connect the accessory Power Cable (10') to the female connector on the lead Vast Cove Light™ unit.

WARNING! Danger of Electrical Shock. Be sure power is turned off before proceeding.

Step 2: Connect Power Cable wires to 100-277V AC line .

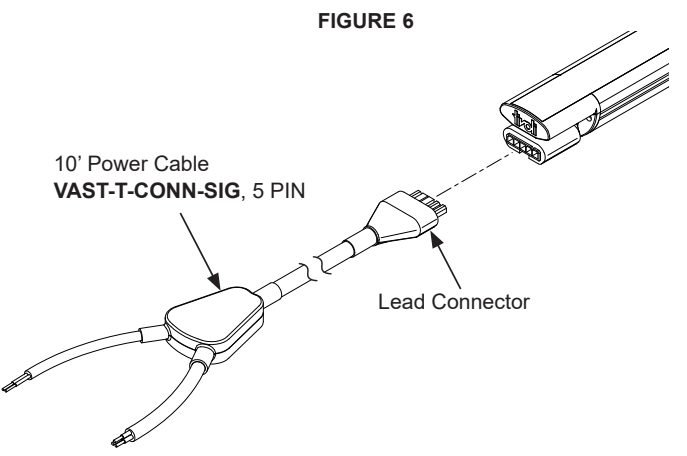
Green: Ground
 White: Common
 Black: Line

Step 3: Restore power.

Note: Reference Order Code for dimming capability.

ELV		
Input	Dimming ELV	Order Code
120-277V	120V	VAST-SB-SG-OP-XX-01-X
	277V	VAST-SB-SG-OP-XX-02-X

0-10V Dimming Configuration



Connecting to Power
Step 1: Connect the accessory Power Cable (10') to the female connector on the lead Vast Cove Light™ unit.

WARNING! Danger of Electrical Shock. Be sure power is turned off before proceeding.

Step 2: Connect Power Cable wires to 100-277V AC line .

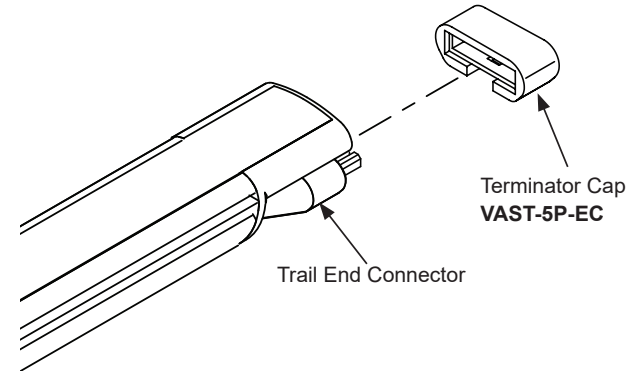
Green: Ground
 White: Common
 Black: Line
 Violet: Dimming +
 Grey: Dimming -

Step 3: Restore power.

Note: Reference fixture model number for dimming capability.

End Cap Installation

FIGURE 7



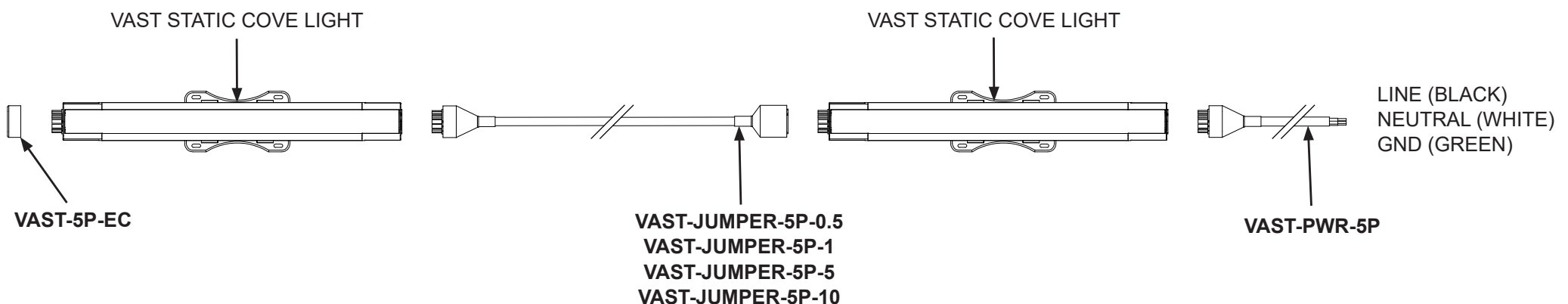
Step 2: Insert Terminator Cap into the male Trail End Connector.

Warnings

- Do not cover any luminaire as the covering may cause it to overheat.
- Do not install this lighting system where the exposed bare contacts can be shorted or contact any conductive material to reduce the risk of fire and burns.
- Do not install any luminaire closer than 6" (15.25cm) from any curtain, or similar combustible material.
- Do not use any luminaire if damaged; such as, broken globe, loose connections, or frayed wire insulation. Inspect periodically.
- Do not submerge any luminaire in liquid. Use waterproof connectors for all outdoor applications.
- Do not secure any luminaire with staples, nails or like means that might damage the wire insulation. Secure it by using screws through the base.
- Do not run any luminaire at an operating temperature exceeding 65° C or 149° F.

Wiring Diagram

ELV DIMMING CONFIGURATION



0-10V DIMMING CONFIGURATION

