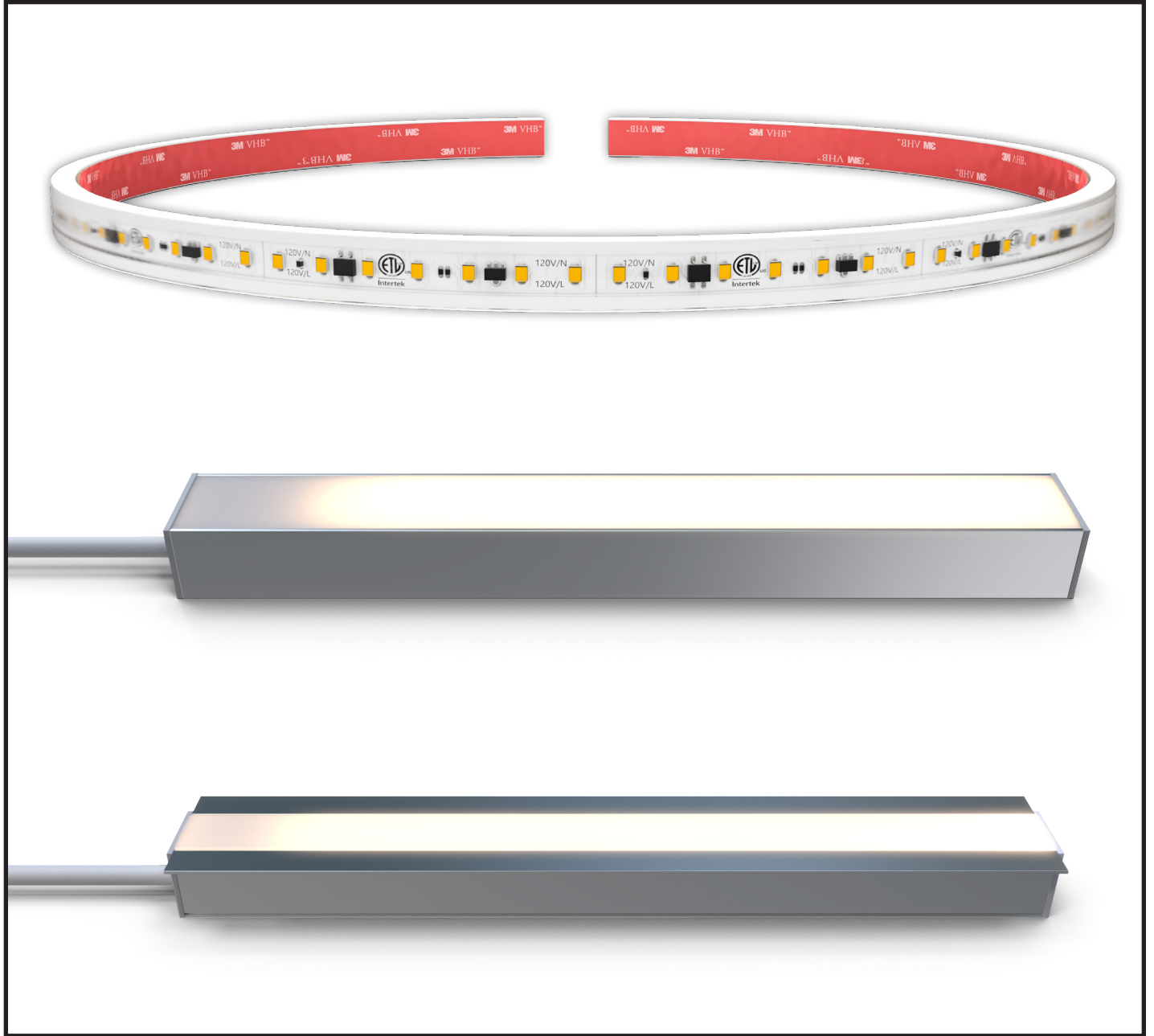


FLEX 120



PLEASE VERIFY THE CONTENTS OF THE PACKAGES!

PLEASE READ INSTRUCTIONS ENTIRELY BEFORE STARTING INSTALLATION.

BE SURE POWER IS TURNED OFF BEFORE INSTALLING OR MODIFYING THE SYSTEM.

CALL TIVOLI LLC TECH SUPPORT WITH QUESTIONS.

Caution: FLEX120 is designed to work with 120V AC power supply only. Use of any other power source will cause damage, shorten the life of the fixture and will void the warranty.

Note: Use in clean, smooth, surface applications. Attaching to textured surfaces without the use of a mounting channel is not recommended.

Consult any and all applicable local and national codes for installation.

Do not conceal or extend exposed conductors through a building wall as per local electrical code.

Warning: With any luminaire for any application, basic safety precautions should always be followed to reduce the risk of fire, electric shock and personal injuries. This lighting system should be installed by a certified professional.

Note: Contacting hot wires against the FLEX120 leads may damage the product and void the warranty.

Note: Outdoor FLEX120 is shipped manufactured to specific lengths with factory attached end preps. It is not designed to be trimmed in the field.

Refer to NEC and local code requirements. Voltage drop calculations are the responsibility of the installer.

CAUTION - Risk of Damage. Handle carefully.

1. Do not twist, bend, fold or crease FLEX120.

2. Do not bend or crease lead wire at solder point.

3. Do not attempt to remove FLEX120 once it has been installed. Attempting to pull FLEX120 away from mounting surface after it has been adhered will cause damage to the product.

4. Do not use chemical solvents on FLEX120 during routine maintenance.

5. Do not cover this product as the covering may cause the light to overheat and melt or ignite.

6. Do not operate with the FLEX120 tightly coiled. To prevent overheating do not allow contact between FLEX120 light cables and part of light cables. Maintain at least 0.47 inches spacing between FLEX120 light cables or parts of light cables.

7. Do not puncture, cut, shorten, or splice FLEX120

8. Do not route the cord or FLEX120 through walls, doors, windows or any like part of the building structure.

9. Do not use if there is any damage to the light or cord insulation. Inspect periodically.

10. Do not submerge FLEX120 in liquids, or use the product in the vicinity of standing water or other liquids.

11. Secure this FLEX120 using only the screws provided. Do not secure this product or its cord with staples, nails, or like means that may damage the insulation or permanently attach to the building structure.

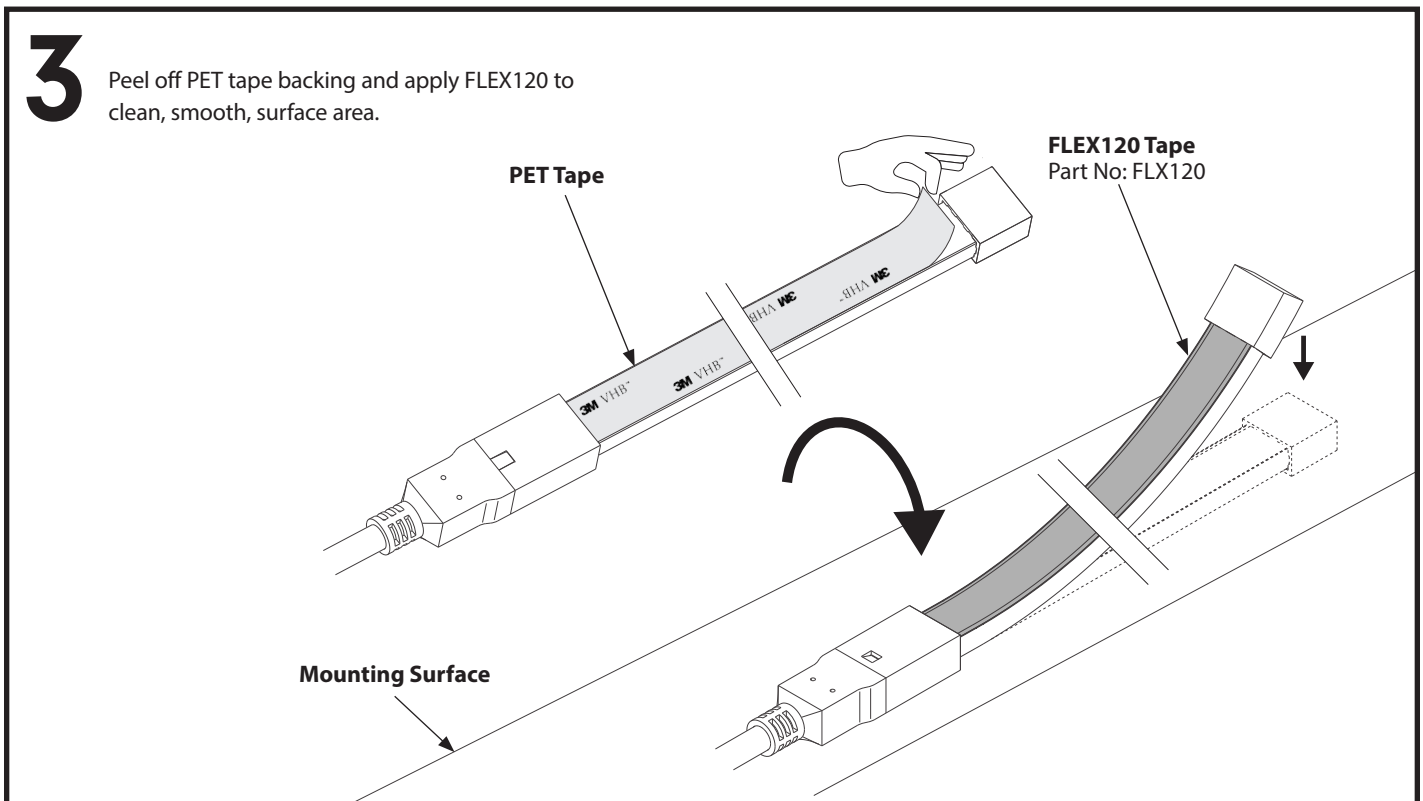
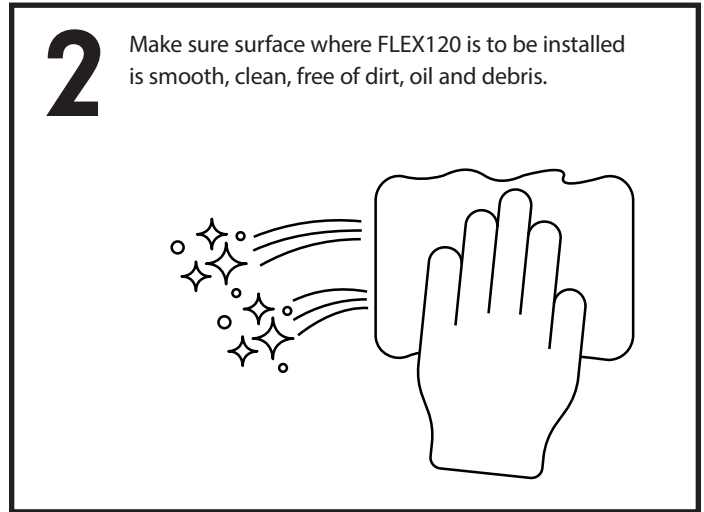
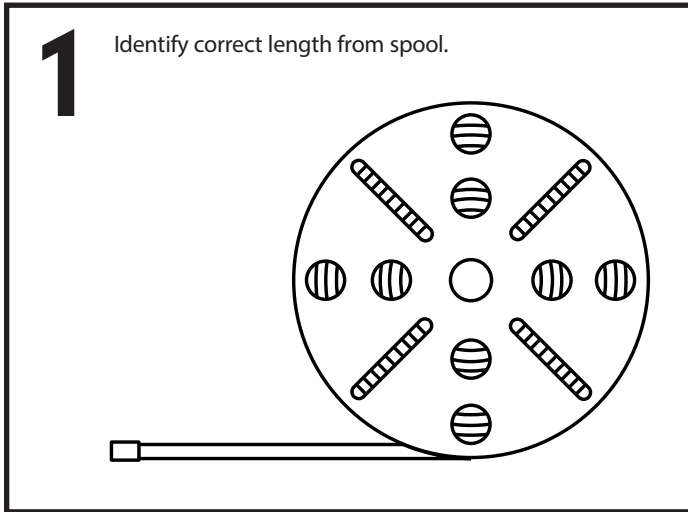
12. Do not bend FLEX120 continuously.

13. DO NOT EXCEED THE MAXIMUM NUMBER OF EXTENSIONS OR FLEX120 LENGTHS PERMITTED BY THE MARKING,

Failure to comply will damage the product and void the warranty.

FLEX120 | Installation

Installation Option 1 : Mounted Direct to Surface



Installation Option 2: Mounted in ALTON Channel

1 Cut Alton Channel to size required, if needed.

ALTON Channel With Lens
Side View

ALTON Channel
Part No: ALTN-CHAN-SLV-6.5

Cutting Tool

2 Drill a hole 3" from each end of the Channel. Also, drill holes every 24-36" along the channel to secure it in place.

ALTON Channel
Top View

ALTON Channel
Part No: ALTN-CHAN-SLV-6.5

ALTON Channel
Side View

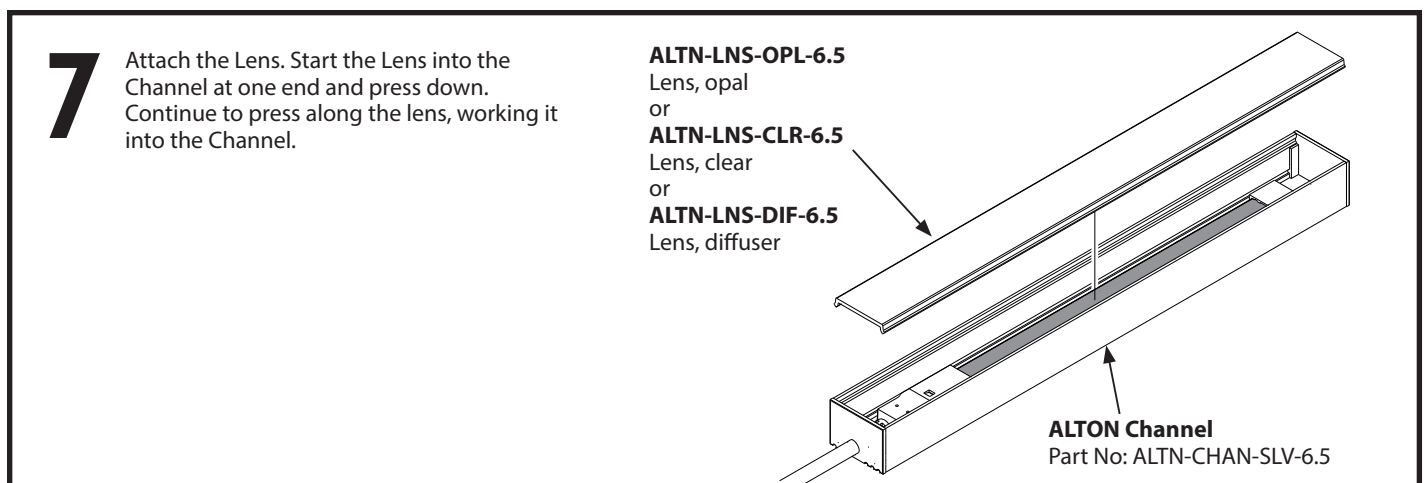
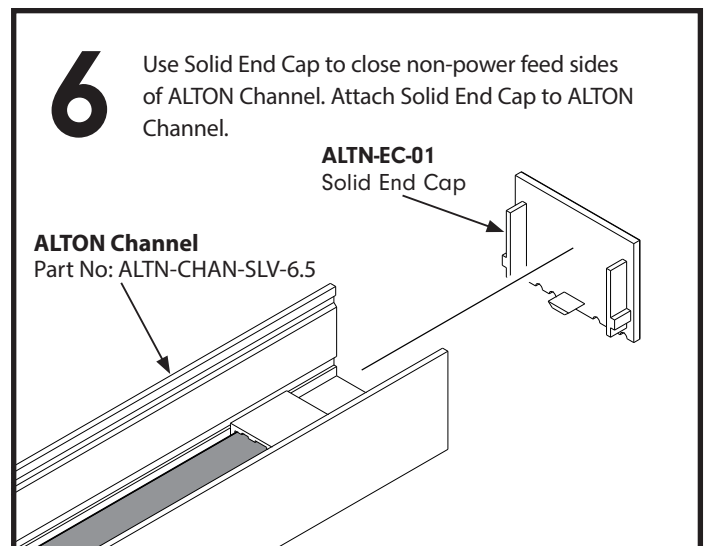
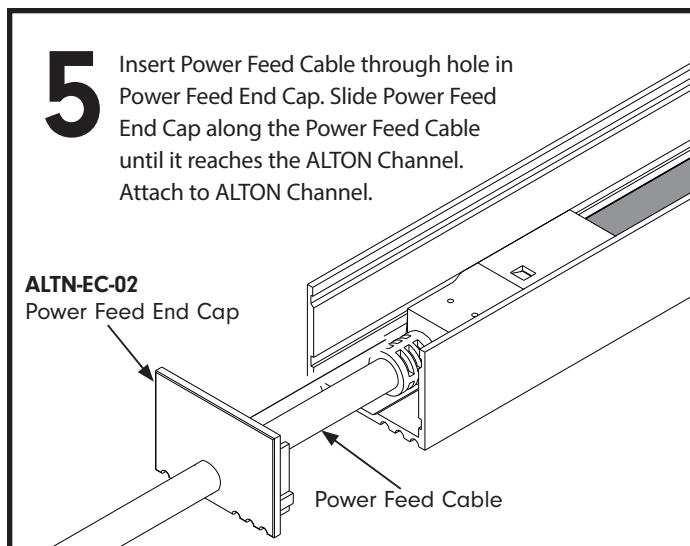
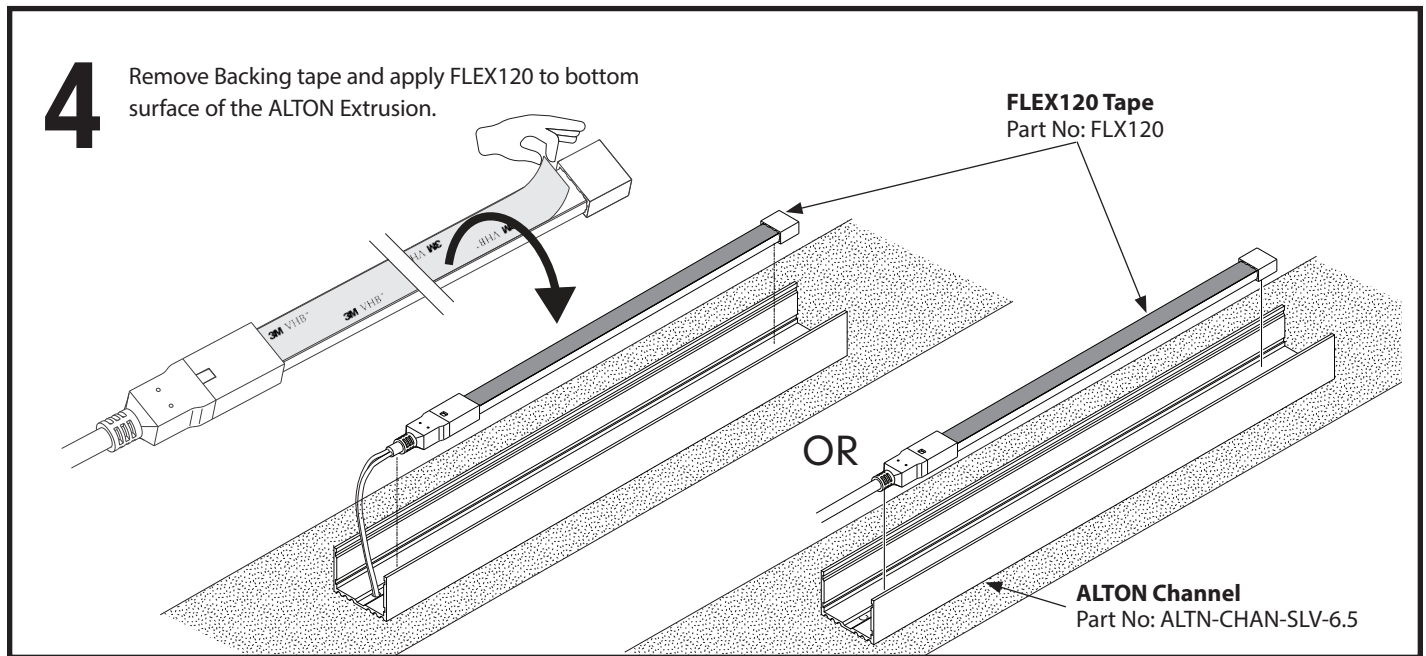
3 Use appropriate flat head screws for the mounting surface (ie: wood screws for wood).

ALTON Channel
Part No: ALTN-CHAN-SLV-6.5

Screw (by others)

FLEX120 | Installation

Installation Option 2: Mounted in ALTON Channel



FLEX120 | Installation

Installation Option 3A: Mounted in NOYES Channel Glued to Surface

1 Cut NOYES Channel to size required, if needed.

NOYES Channel With Lens
Side View

NOYES Channel
Part No: NOYS-CHAN-SLV-6.5

Cutting Tool

2 Remove Backing tape and apply FLEX120 to bottom surface of the NOYES Extrusion.

FLEX120 Tape
Part No: FLX120

NOYES Channel
Part No: NOYS-CHAN-SLV-6.5

3 Insert Power Feed Cable through hole in Power Feed End Cap. Slide Power Feed End Cap along the Power Feed Cable until it reaches the NOYES Channel. Attach to NOYES Channel.

NOYS-EC-02
Power Feed End Cap

Power Feed Cable

4 Use Solid End Cap to close non-power feed sides of NOYES Channel. Attach Solid End Cap to NOYES Channel.

NOYES Channel
Part No: NOYS-CHAN-SLV-6.5

NOYS-EC-01
Solid End Cap

5 Attach the Lens. Start the Lens into the Channel at one end and press down. Continue to press along the lens, working it into the Channel.

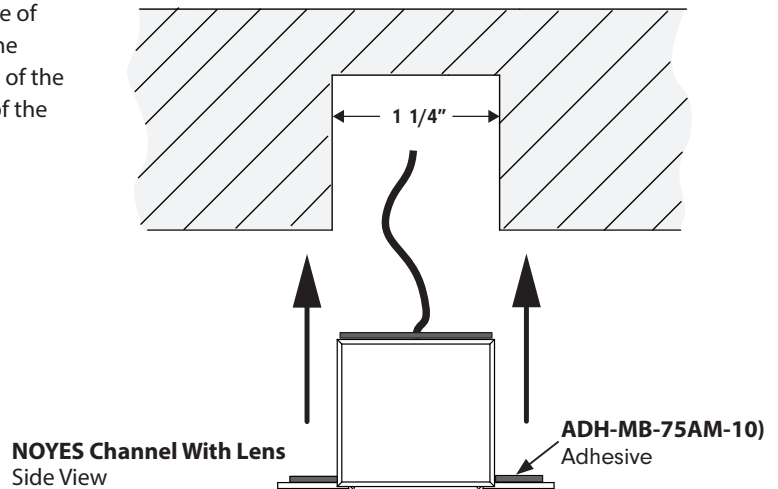
NOYS-LNS-OPL-6.5
Lens, opal
or
NOYS-LNS-CLR-6.5
Lens, clear
or
NOYS-LNS-DIF-6.5
Lens, diffuser

NOYES Channel
Part No: NOYS-CHAN-SLV-6.5

FLEX120 | Installation

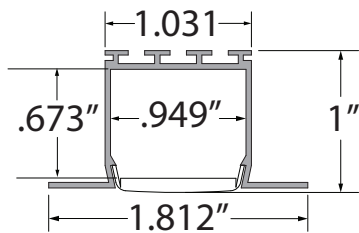
Installation Option 3A: Mounted in NOYES Channel Glued to Surface

6 Apply Adhesive (**ADH-MB-75AM-10**) to the inside of the flanges, as shown, to adhere the channel to the mounting surface. Also, apply glue to the bottom of the channel if there is a solid support at the bottom of the cutout.

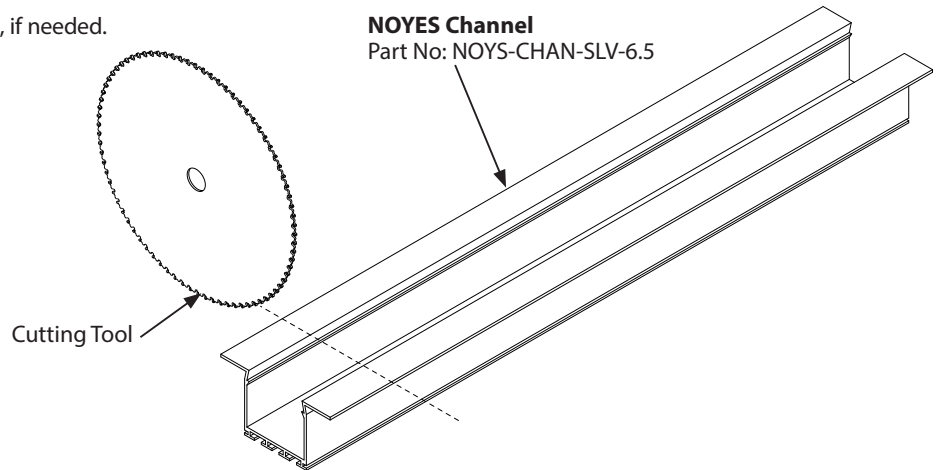


Installation Option 3B: Mounted in NOYES Channel with Spring Clips

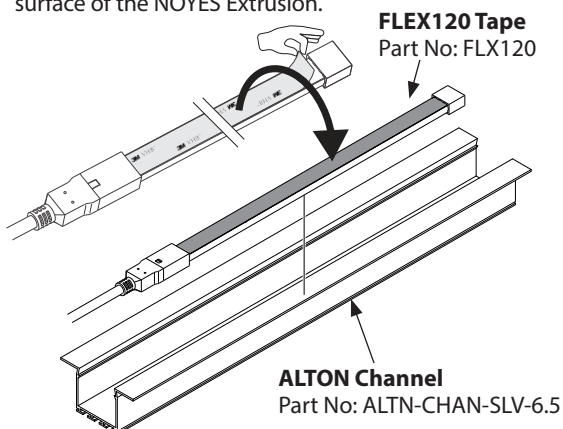
1 Cut NOYES Channel to size required, if needed.



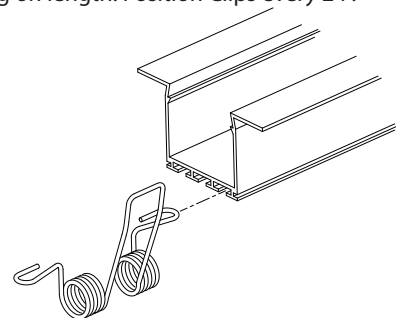
NOYES Channel With Lens
Side View



2 Remove Backing tape and apply FLEX120 to bottom surface of the NOYES Extrusion.



3 Slide a Spring Clip into the outside slot at the bottom of the NOYES Extrusion. Position a Spring Clip on the left and right side at each end. There may be additional Spring Clips needed along the length of the Channel, depending on length. Position Clips every 24".



FLEX120 | Installation

Installation Option 3B: Mounted in NOYES Channel with Spring Clips

4 Insert Power Feed Cable through grommet in Power Feed End Cap. Slide Power Feed End Cap along the Power Feed Cable until it reaches the NOYES Channel. Attach to NOYES Channel.

NOYS-EC-02
Power Feed End Cap

Power Feed Cable

NOYS-SPRING-CLP
Clip, Spring, Metal

5 Use Solid End Cap to close non-power feed sides of NOYES Channel. Attach Solid End Cap to NOYES Channel.

NOYES Channel
Part No: NOYS-CHAN-SLV-6.5

NOYS-EC-01
Solid End Cap

6 Attach the Lens. Start the Lens into the Channel at one end and press down. Continue to press along the lens, working it into the Channel.

Attach Lead Wire to Power Source.

7 Apply Adhesive (**ADH-MB-75AM-10**) to the inside of the flanges, as shown, to adhere the channel to the mounting surface. Also, apply glue to the bottom of the channel if there is a solid support at the bottom of the cutout.

NOYES Channel With Lens
Side View

FLEX120 | Installation

Installation Option 3C: Mounted in NOYES Channel Fastened to Surface

1 Cut NOYES Channel to size required, if needed.

NOYES Channel With Lens
Side View

NOYES Channel
Part No: NOYS-CHAN-SLV-6.5

Cutting Tool

2 Drill a hole 3" from each end of the Channel. Also, drill countersunk holes every 24-36" along the channel to secure it in place.

NOYES Channel
Top View

NOYES Channel
Part No: NOYS-CHAN-SLV-6.5

NOYES Channel
Side View

3 Install End Caps.

NOYES-EC-01
Solid End Cap

NOYES-EC-02
Power Feed End Cap

NOYES Channel
Part No: NOYS-CHAN-SLV-6.5

4 Use appropriate flat head screws for the mounting surface (ie: wood screws for wood).

NOYES Channel
Part No: NOYS-CHAN-SLV-6.5

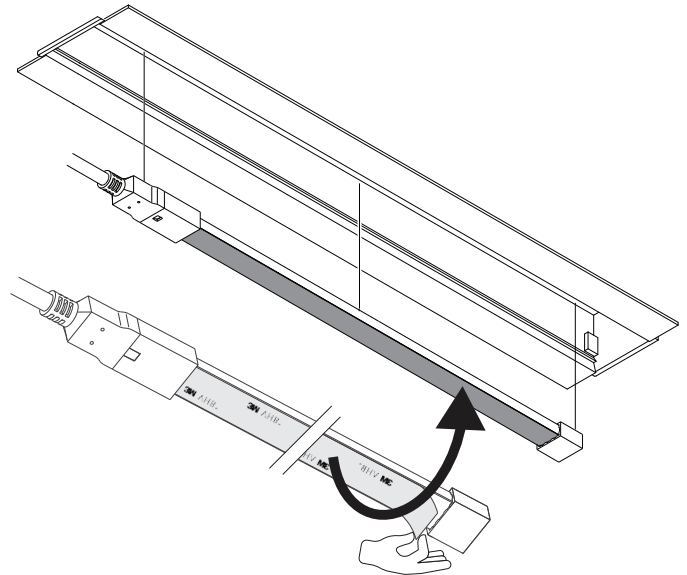
Screw (by others)

FLEX120 | Installation

Installation Option 3C: Mounted in NOYES Channel Fastened to Surface

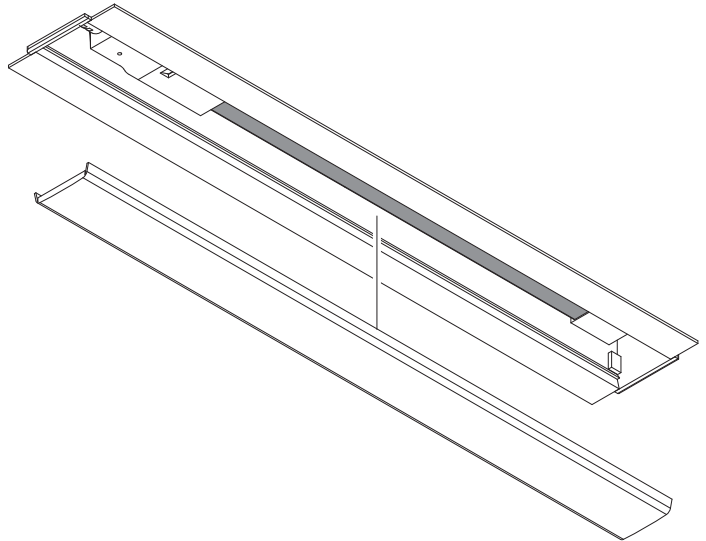
5

Remove Backing tape and apply FLEX120 to bottom surface of the NOYES Extrusion.



6

Attach the Lens. Start the Lens into the Channel at one end and press down. Continue to press along the lens, working it into the Channel.



FLEX120 | Installation

Installation Option 4: PVC Mounting Clips

1 Determine where the Mounting Clips will need to be installed to achieve the desired shape. Position the Mounting Clips and attach to surface using No. 6 Flat Head screws (supplied by others) appropriate for mounting surface, ie: wood screws for wood. Press the FLEX120 into the Mounting Clips.

Note: Minimum bending diameter for FLEX120 is 3.5" in the vertical direction only.

PVC Mounting Clip
Part No: FLX120-CLIP-01

PVC Mounting Clip
Part No: FLX120-CLIP-01

0.44"
0.78"
0.60"

No. 6 Flat Head screws
(supplied by others)

Note: FLEX120 Mounting Channel can be mounted on horizontal or vertical surfaces.

Electrical Connections

1 Turn power off before beginning electrical installation. The TivoTape FLEX120 lead wires are marked for polarity. Connect to power source accordingly.

Note: Contacting hot wires against the TivoTape FLEX120 leads may damage the product and void the warranty.

Standard UL listed J-Box by Others

120V AC

Refer to NEC and local code requirements. Voltage drop calculations are the responsibility of the installer.

TivoTape FLEX120

2

Black Line

White Neutral

120V AC Power