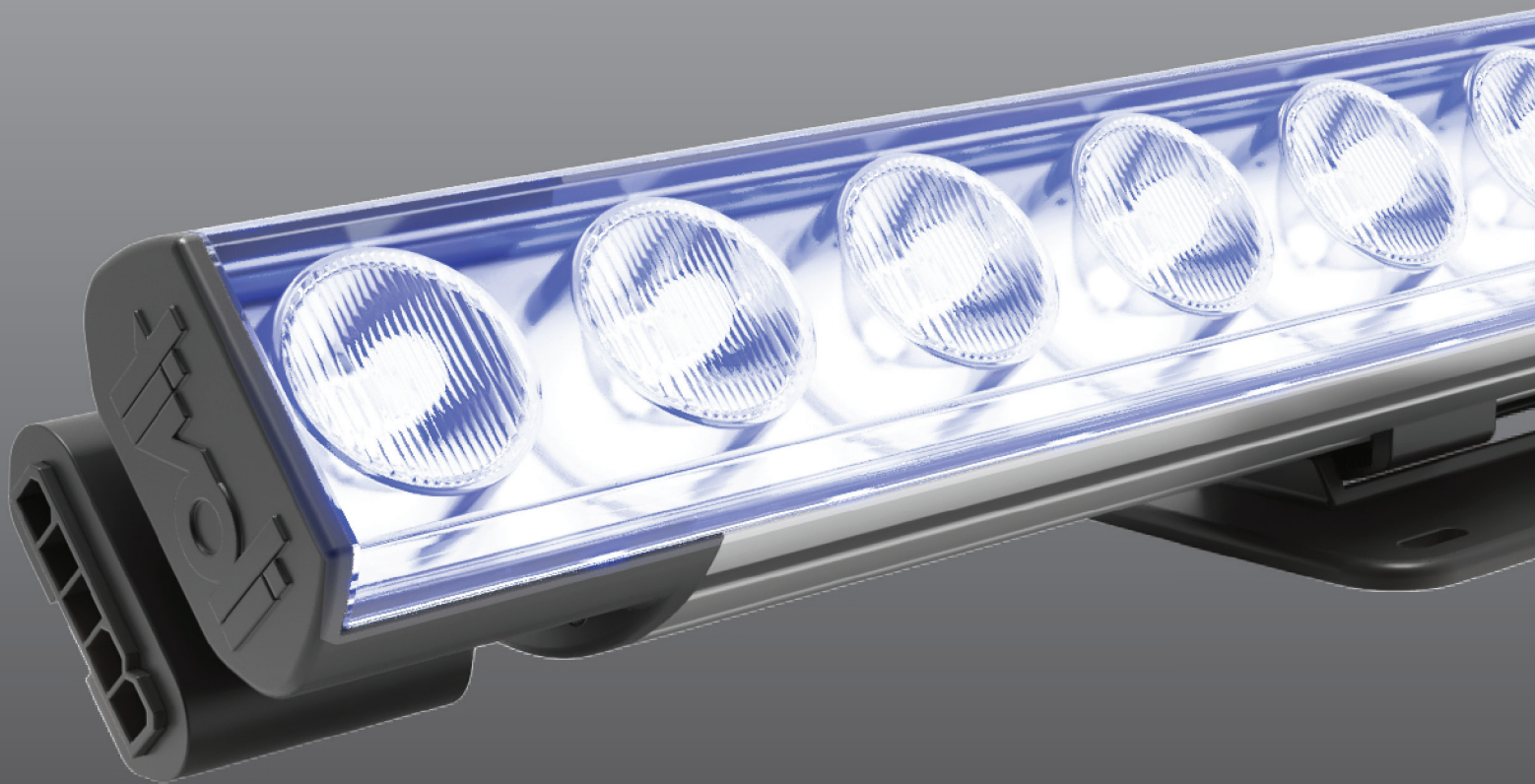


VASTGRAZE

Palette



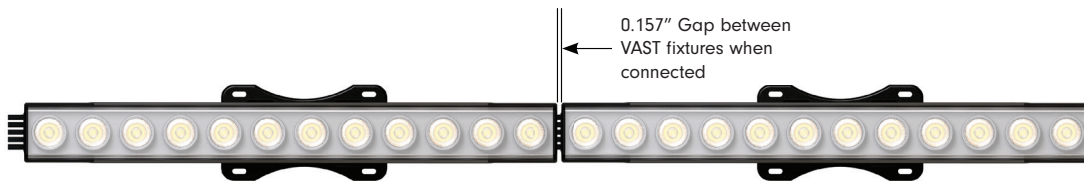
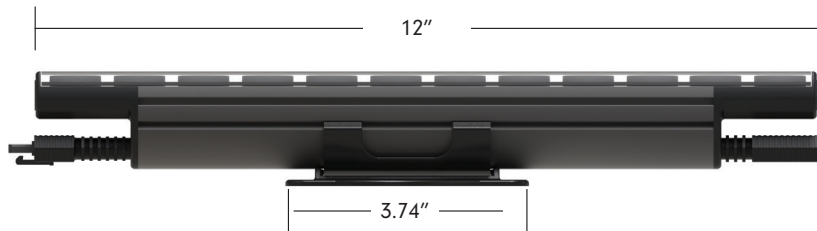
tivoli[®]



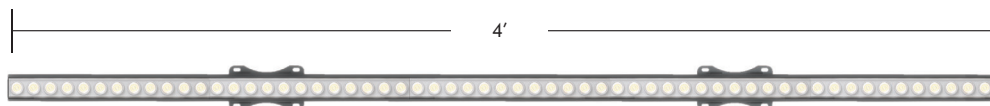
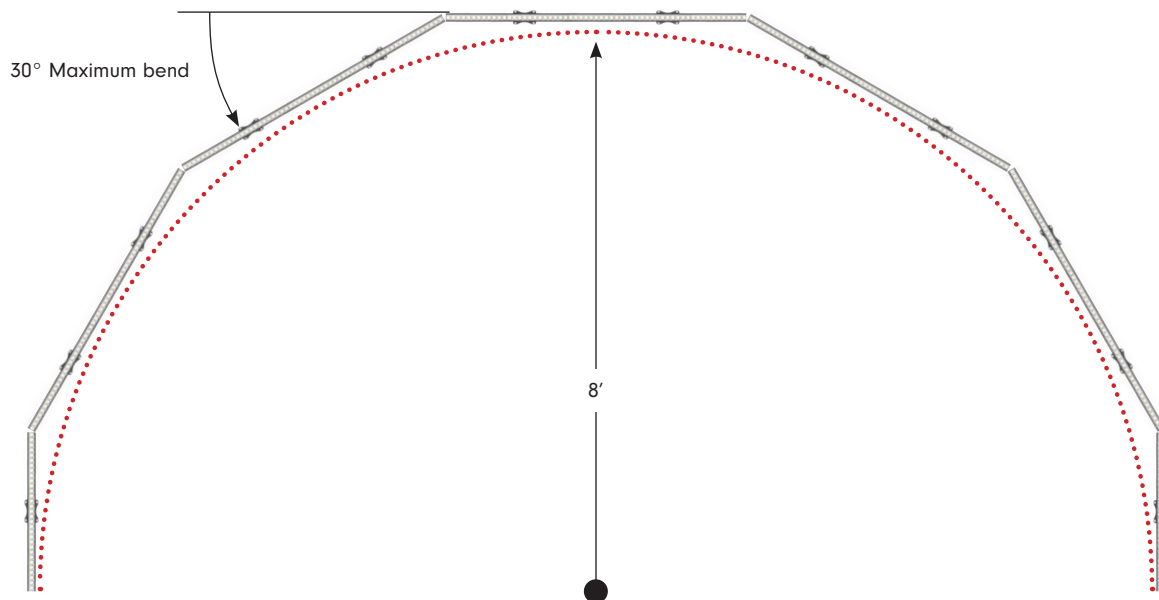
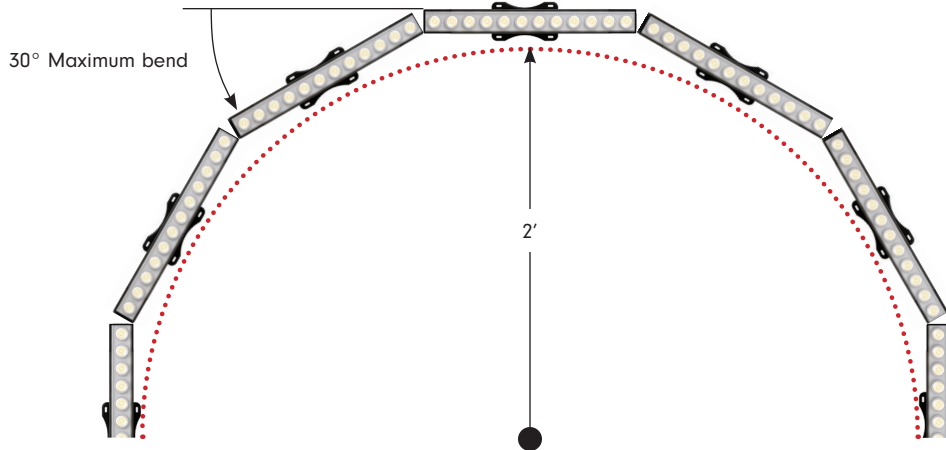
Project: _____ TYPE: _____

- An industry first, patent pending dual dimming system for both ELV and 0-10V built in
- Self Ballasted 120V AC - 277V AC
- Maximum Run up to 50'
- Flexible connectors accommodate curves
- Adjustable mounting bracket for desired angle
- For Dry/Damp location
- IP52 Rating
- 5 Year warranty

Dimensions



Radius Bend



Ordering Guide

PRODUCT CODE	BEAM ANGLE	LED TYPE	HOUSING COLOR	LED COLOR	CONTROL TYPE	LENGTH
VASTGZ		HO	SG			
VASTGZ = VAST Graze	0010 = 10x10 0015 = 15x15 0024 = 24x24 0036 = 36x36 0060 = 60x60 1015 = 10x15 1030 = 10x30 1045 = 10x45 1060 = 10x60	HO = High Output	SG = Space Gray	RGB22 = RGB+2200K RGB30 = RGB+3000K RGB35 = RGB+3500K RGB40 = RGB+4000K RGB53 = RGB+5300K RGB60 = RGB+6000K	01 = DMX/RDM 02 = Auto Address/DM	1 = 1' 4 = 4'

Specification

Unit Size	1'	4'
Lumens White (lm/ft) (based on 3000K)	876	3840
Lumens RGB (lm/ft)	564	2880
Lumens Red (lm/ft)	31	183
Lumens Green (lm/ft)	69	434
Lumens Blue (lm/ft)	9	75
Efficacy (based on 3000K)	73	80
CRI	90+	
Optics		
Beam Angle	10x10/15x15/24x24/36x36/60x60/10x15/10x30/10x45/10x60	
Electrical		
Input Voltage	100-277V AC 50/60Hz	
Power Consumption W/unit	12	48
Maximum Run Length	50'	
Control Type	0-10V / DMX	
Physical		
Mounting	Surface Mount with adjustable clip	
Operating Temperature	-4°F ~ 149°F (-20°C ~ 65°C)	
Storage Temperature	-13°F ~ 158°F (-25°C ~ 70°C)	
Certification and Testing		
Certification	ETLus, CE, RoHS	
Rated Life	90000 hrs. @ 25°C	
IP Rating	IP52	
Environment	Dry/Damp Location	
Warranty	5 years	

Accessories



VAST-T-CONN-XLR-3
T Connector for DMX XLR connection to controller



VAST-T-CONN-SIG
T Connector 7' Power Cable and 7' 0-10V Signal Cable



JUMPER-XLR3P-X
Jumper Cable 3-PIN XLR
X = 5, 10, 25 (lengths in ft)



VAST-JUMPER-5P-X
X = 0.5 (6"), 1 (1'), 5 (5'), 10 (10')
Jumper, 5-Pin Connection



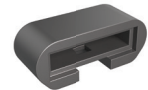
VASTG-BAFL-1
Black Vast baffle 1' length



VASTG-BAFL-2
Black Vast baffle 1' length



VAST-CHAN-SLV-6.5
Vast straight channel silver 6.5' length



VAST-5P-EC
5-Pin End Cap

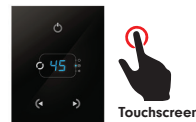
Controls



ARTNET-S-8-512
8 port universe Artnet to DMX interface, 4096 DMX channels
Programmable for playback and live support



TVOQ-10-XX-7
XX = BK (Black), WH (White)
1024 DMX channel, 500 scene,
10 zone, glass touch screen



TVOQ-2-BK
512 DMX channel, 99 scene,
1 zone, glass touch screen



TVOQ-1-WH
16 DMX channel, 16 scene,
4 zone, glass touch screen



MDRX-AURA-XX
X = 02, 08, 32 (ports)
MADRIX Luna 2, 8, 32 port
universe Artnet to DMX interface.
Programmable for playback and live support

Tivoli, LLC. Reserves the right to modify this specification without prior notice.

Network Hardware



MDRX-LUNA-XX

X = 04, 08, 16 (ports)
MADRIX Luna 4, 8, 16 port universe
Artnet to DMX interface 16 port
8192, 8 port 4096, 4 port 2048 DMX
channels



ARTNET-L-X-512

X = 8, 16 (ports)
8 or 16 port universe Artnet to
DMX interface, 16 port 8192 DMX
channels 8 port 4096 DMX channels



NTG-SWI-XPT

X = 8 (8 port), 16 (16 port)
NETGEAR 8 or 16 Port gigabit
Ethernet Unmanaged Switch



DMX3-CAT5-ADPTR

DMX adapter
3-pin XLR female to RJ45

MADRIX5 Key & Software Levels



MADRIX KEY

A USB dongle unlocks the software's full output. You can freely switch between different PCs as it is not bound to a specific one. It only needs to be activated online once.

MADRIX 5 LICENSE UPGRADES

You can easily upgrade your MADRIX 5 KEY to any higher license at any time, increasing the available output.

Level	START	ENTRY	BASIC	PROFESSIONAL	ULTIMATE	MAXIMUM
MADRIX 5 Order Code	MDRX-LC-5S	MDRX-LC-5E	MDRX-LC-5B	MDRX-LC-5P	MDRX-LC-5U	MDRX-LC-5M
DMX-Based Output						
DMX Channels	1,024	4,096	16,384	65,536	262,144	1,048,576
DMX Universe Example	2	8	32	128	512	2,048
RGB Voxels Example	341	1,365	5,461	21,845	87,381	349,525
DVI-Based Output						
DVI Voxels	4,096	16,384	262,144	1,048,576	2,097,152	2,097,152
Render Resolution (Pixel x Pixel)	64 x 64	128 x 128	512 x 512	1,024 x 1,024	2,048 x 1,024	2,048 x 1,024

Tivoli Commissioning

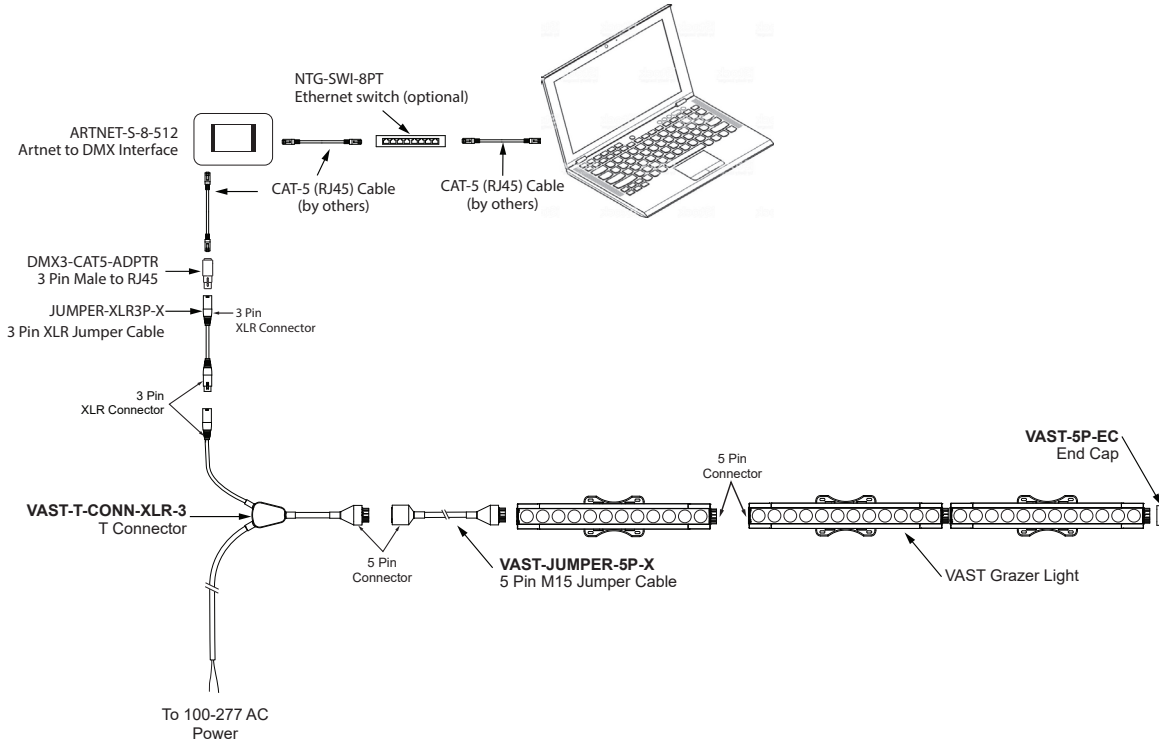


DMX projects can be difficult to setup and program when dealing with software and fixtures once you are on site. Tivoli offers technical support from initial contact up to installation and on-site setup. Please contact your local sales rep for pricing and provide details of desired technical support level for your project.

Wiring Diagram - Offline

ARNET-S (Stand Alone)

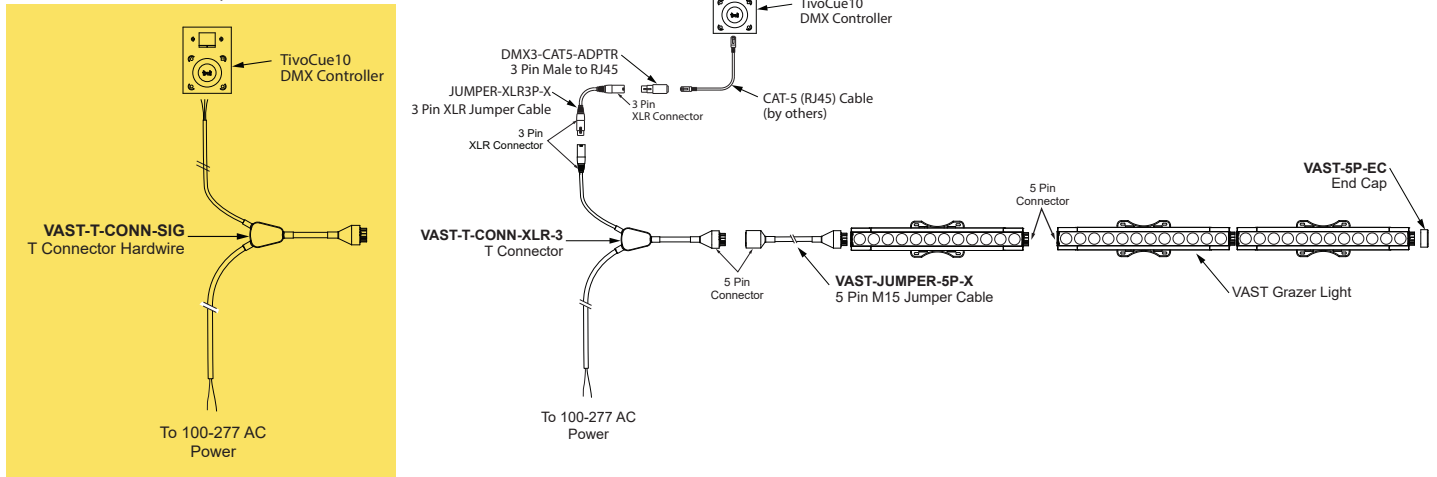
Programmed via MADRIX software and recorded directly to an ARNET-S interface for media applications and performance. This is a stand-alone feature with no need for network support by software (MADRIX) once recorded to the interface (ARNET-S). Please refer to ARTNET-S-8-512 User Manual for additional information.



TivoCUE (Stand Alone)

Programmed via CUE software and recorded to a MicroSD card for data transfer into TivoCUE control. This is a stand-alone feature with no need for network support by software (CUE PRO) once recorded and transferred to in-wall DMX control hardware (TivoCUE). Please refer to TivoCue 10 User Manual for additional information.

Hardwire Connection Option



Wiring Diagram - Online

LIVE CONFIGURATION

This is a live control performance setup. Widely used for concerts or performance-based manipulation. Use of a live network is necessary for communication between MADRIX software and fixture.

