

VASTGRAZER PALETTE

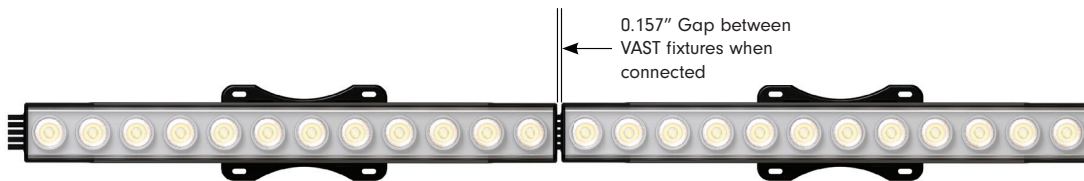
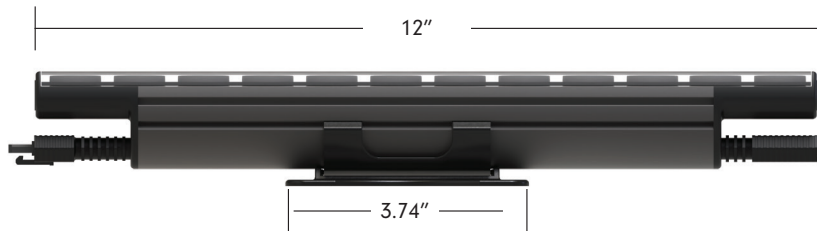




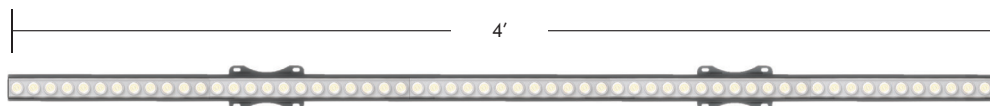
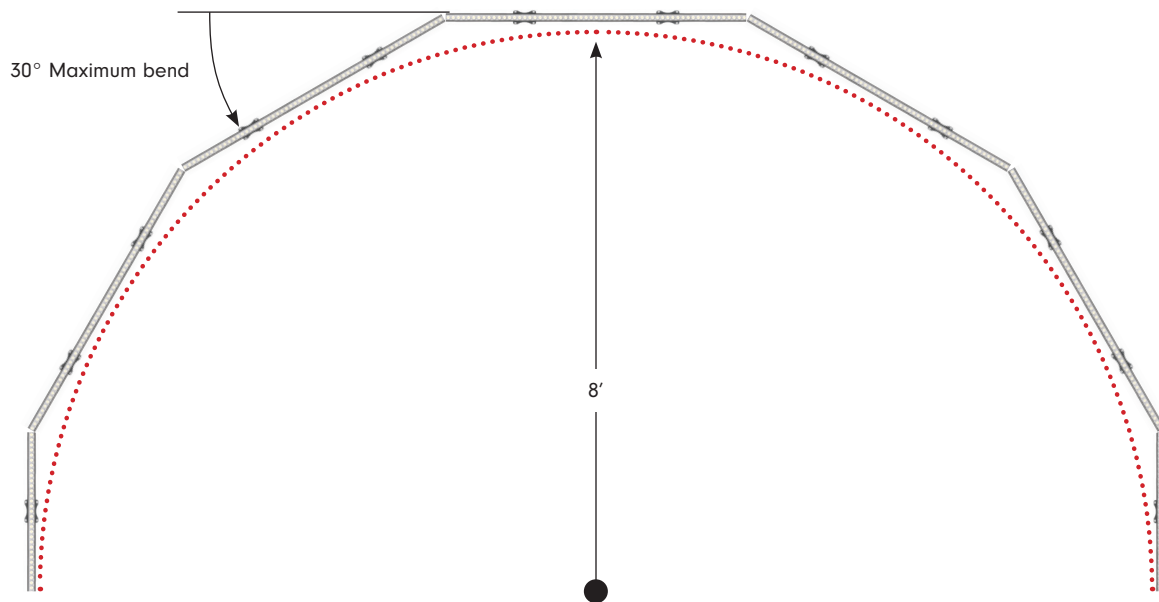
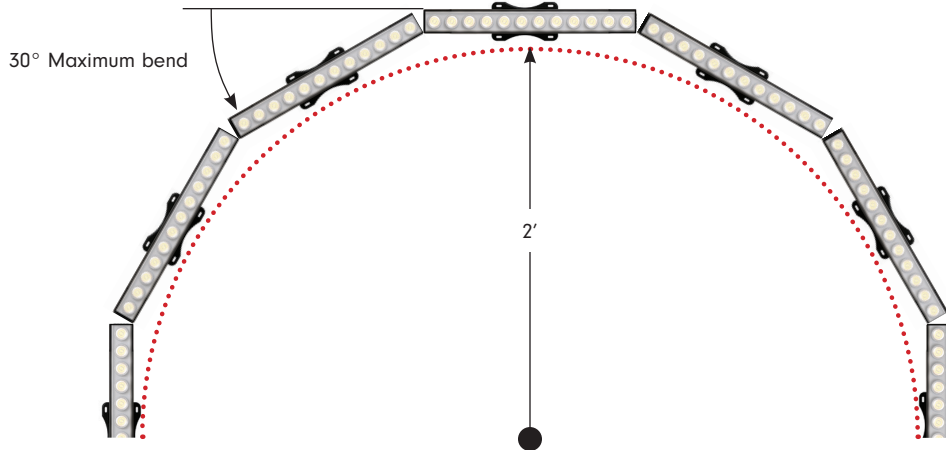
Project: _____ TYPE: _____

- DMX Auto addressable or RDM control
- Self Ballasted 120V AC - 277V AC
- Maximum Run up to 50'
- Flexible connectors accommodate curves
- Adjustable mounting bracket for desired angle
- For Dry/Damp location
- IP52 Rating
- 5 Year warranty

Dimensions



Radius Bend



Ordering Guide

| PRODUCT CODE | BEAM ANGLE | LED TYPE | HOUSING COLOR | LED COLOR | CONTROL TYPE | LENGTH |
|----------------------------|--|-------------------------|------------------------|--|--|--------------------------------|
| VASTGZ | | HO | SG | | | |
| VASTGZ = VAST Graze | 1010 = 10x10 1515 = 15x15 2424 = 24x24 3636 = 36x36 6060 = 60x60 1015 = 10x15 1030 = 10x30 1045 = 10x45 1060 = 10x60 2045 = 20x45 | HO = High Output | SG = Space Gray | RGB22 = RGB+2200K RGB30 = RGB+3000K RGB35 = RGB+3500K RGB40 = RGB+4000K RGB53 = RGB+5300K RGB60 = RGB+6000K | 01 = DMX/RDM 02 = Auto Address/DM | 1 = 1' 4 = 4' |

Specification

| Unit Size | 1' | 4' |
|---------------------------------------|---|------|
| Lumens White (lm/ft) (based on 3000K) | 876 | 3840 |
| Lumens RGB (lm/ft) | 564 | 2880 |
| Lumens Red (lm/ft) | 31 | 183 |
| Lumens Green (lm/ft) | 69 | 434 |
| Lumens Blue (lm/ft) | 9 | 75 |
| Efficacy (based on 3000K) | 73 | 80 |
| CRI | 90+ | |
| Optics | | |
| Beam Angle | 10x10/15x15/24x24/36x36/60x60/10x15/10x30/10x45/10x60 | |
| Electrical | | |
| Input Voltage | 100-277V AC 50/60Hz | |
| Power Consumption W/unit | 12 | 48 |
| Maximum Run Length | 50' | |
| Control Type | 0-10V (dimming down to 3%), DMX (dimming down to 1%) | |
| Physical | | |
| Mounting | Surface Mount with adjustable clip | |
| Operating Temperature | -4°F ~ 149°F (-20°C ~ 65°C) | |
| Storage Temperature | -13°F ~ 158°F (-25°C ~ 70°C) | |
| Certification and Testing | | |
| Certification | ETLus, CE, RoHS | |
| Rated Life | 90000 hrs. @ 25°C | |
| IP Rating | IP52 | |
| Environment | Dry/Damp Location | |
| Warranty | 5 years | |

Accessories



VAST-T-CONN-XLR-3
T Connector for DMX XLR connection to controller



VAST-T-CONN-SIG
T Connector 6' Power Cable and 6' 0-10V Signal Cable



JUMPER-XLR3P-X
Jumper Cable 3-PIN XLR
X = 5, 10, 25 (lengths in ft)



VAST-JUMPER-5P-X
X = 0.5 (6"), 1 (1'), 5 (5'), 10 (10')
Jumper, 5-Pin Connection



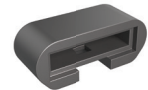
VASTG-BAFL-1
Black Vast baffle 1' length



VASTG-BAFL-2
Black Vast baffle 1' length



VAST-CHAN-BLK-6.5
Vast straight channel silver 6.5' length



VAST-5P-EC
5-Pin End Cap

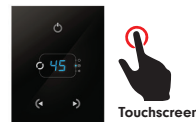
Controls



ARTNET-S-8-512
8 port universe Artnet to DMX interface, 4096 DMX channels
Programmable for playback and live support



TVOQ-10-XX-7
XX = BK (Black), WH (White)
1024 DMX channel, 500 scene,
10 zone, glass touch screen



TVOQ-2-BK
512 DMX channel, 99 scene,
1 zone, glass touch screen



TVOQ-1-WH
16 DMX channel, 16 scene,
4 zone, glass touch screen



MDRX-AURA-XX
X = 02, 08, 32 (ports)
MADRIX Luna 2, 8, 32 port
universe Artnet to DMX interface.
Programmable for playback and live support

Tivoli, LLC. Reserves the right to modify this specification without prior notice.

Network Hardware



MDRX-LUNA-XX

X = **04, 08, 16** (ports)
 MADRIX Luna 4, 8, 16 port universe
 Artnet to DMX interface 16 port
 8192, 8 port 4096, 4 port 2048 DMX
 channels



ARTNET-L-X-512

X = **8, 16** (ports)
 8 or 16 port universe Artnet to
 DMX interface, 16 port 8192 DMX
 channels 8 port 4096 DMX channels



NTG-SWI-XPT

X = **8** (8 port), **16** (16 port)
 NETGEAR 8 or 16 Port gigabit
 gthernet Unmanaged Switch



DMX3-CAT5-ADPTR

DMX adapter
 3-pin XLR female to RJ45

MADRIX5 Key & Software Levels



MADRIX KEY

A USB dongle unlocks the software's full output. You can freely switch between different PCs as it is not bound to a specific one. It only needs to be activated online once.

MADRIX 5 LICENSE UPGRADES

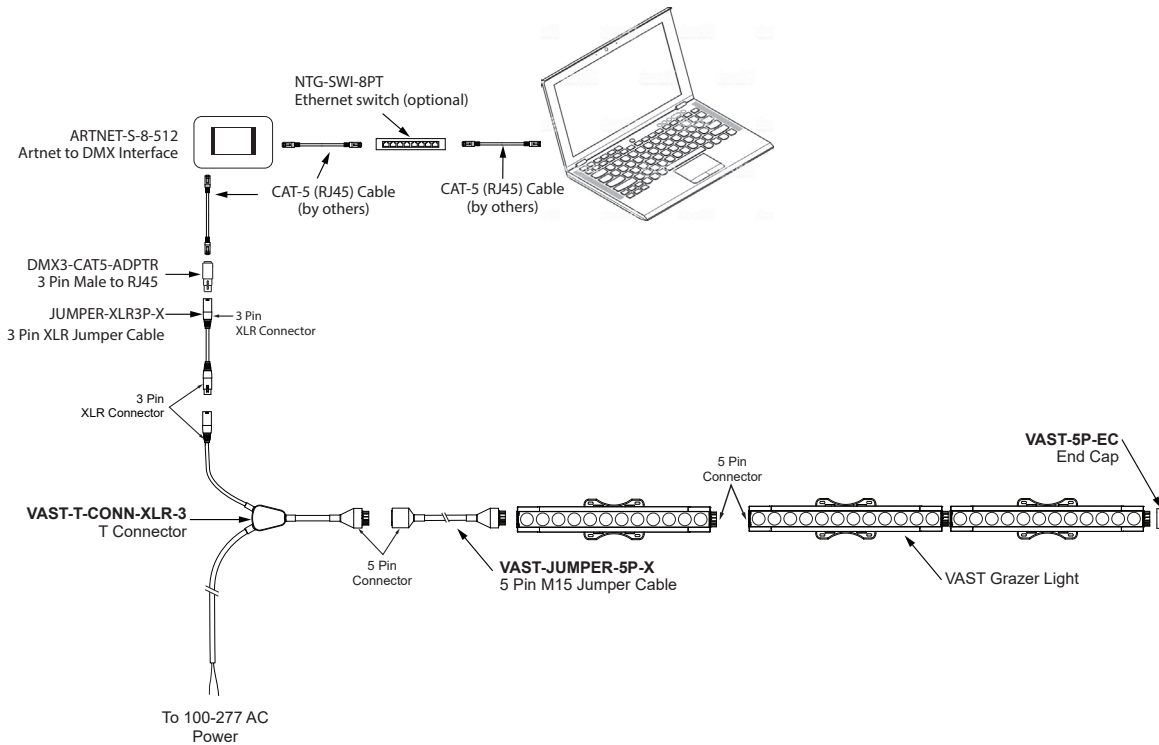
You can easily upgrade your MADRIX 5 KEY to any higher license at any time, increasing the available output.

| Level | START | ENTRY | BASIC | PROFESSIONAL | ULTIMATE | MAXIMUM |
|-----------------------------------|------------|------------|------------|---------------|---------------|---------------|
| MADRIX 5 Order Code | MDRX-LC-5S | MDRX-LC-5E | MDRX-LC-5B | MDRX-LC-5P | MDRX-LC-5U | MDRX-LC-5M |
| DMX-Based Output | | | | | | |
| DMX Channels | 1,024 | 4,096 | 16,384 | 65,536 | 262,144 | 1,048,576 |
| DMX Universe Example | 2 | 8 | 32 | 128 | 512 | 2,048 |
| RGB Voxels Example | 341 | 1,365 | 5,461 | 21,845 | 87,381 | 349,525 |
| DVI-Based Output | | | | | | |
| DVI Voxels | 4,096 | 16,384 | 262,144 | 1,048,576 | 2,097,152 | 2,097,152 |
| Render Resolution (Pixel x Pixel) | 64 x 64 | 128 x 128 | 512 x 512 | 1,024 x 1,024 | 2,048 x 1,024 | 2,048 x 1,024 |

Wiring Diagram - Offline

ARNET-S (Stand Alone)

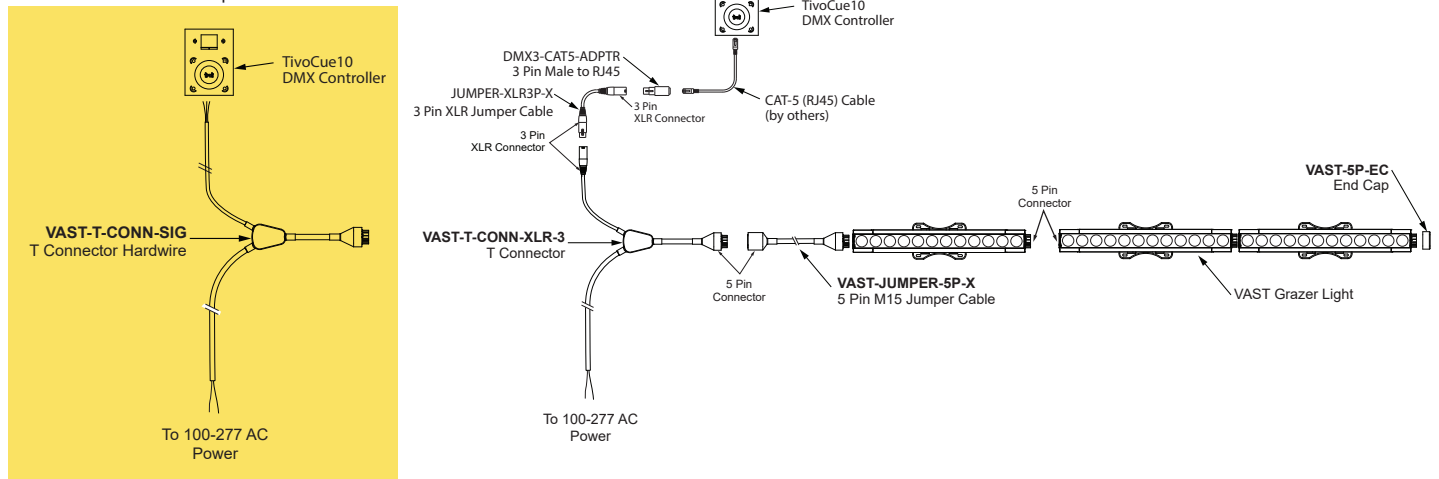
Programmed via MADRIX software and recorded directly to an ARNET-S interface for media applications and performance. This is a stand-alone feature with no need for network support by software (MADRIX) once recorded to the interface (ARNET-S). Please refer to ARTNET-S-8-512 User Manual for additional information.



TivoCUE (Stand Alone)

Programmed via CUE software and recorded to a MicroSD card for data transfer into TivoCUE control. This is a stand-alone feature with no need for network support by software (CUE PRO) once recorded and transferred to in-wall DMX control hardware (TivoCUE). Please refer to TivoCue 10 User Manual for additional information.

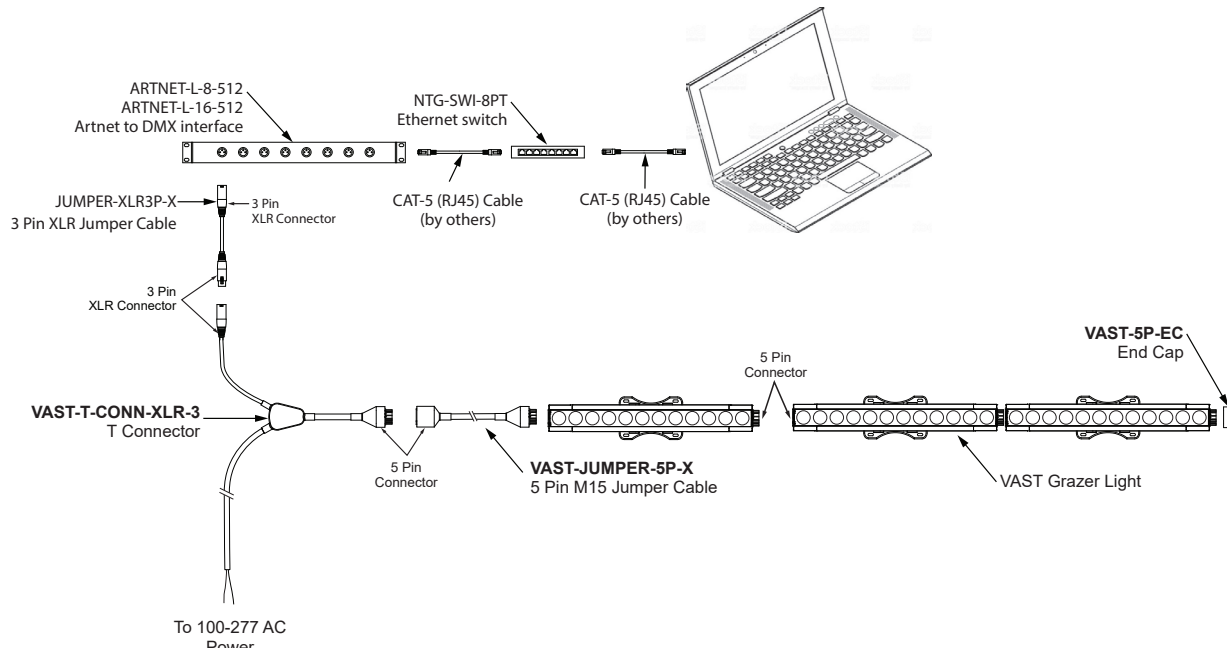
Hardwire Connection Option



Wiring Diagram - Online

LIVE CONFIGURATION

This is a live control performance setup. Widely used for concerts or performance-based manipulation. Use of a live network is necessary for communication between MADRIX software and fixture.



Tivoli Commissioning Service

Tivoli’s DMX Commissioning service involves the setup and configuration of our DMX lighting and control system, ensuring the seamless integration of our lighting fixtures with the specified DMX Control system ordered.

For more information about commission service, contact:
 sales@tivoliusa.com
 714-957-6101 (Engineering Tech Support)

| | |
|---|--|
| Tivocue Wall Controllers (Default Scenes: White, Red,Green, Blue, Light Blue, Purple, Pink, Dim White, Yellow, Cool Cycle, Warm Cycle, All Cycle, Rainbow Scroll, Blackout) | |
| TVOQ-REM-COMM-1 | Remote DMX commissioning for TIVOCUE 2 and 10 dmx wall controller. Pixel mapping/control is not offered for remote commissioning |
| TVOQ-ONS-COMM-1 | Onsite DMX commissioning for TIVOCUE 2 and 10 dmx wall controller (est. 2 days) |
| ARTNET-S-8-512 (Default Scenes: White, Red,Green, Blue, Light Blue, Purple, Pink, Dim White, Yellow, Cool Cycle, Warm Cycle, All Cycle, Rainbow Scroll, Blackout) | |
| ARTNET-S-REM-COMM-8 | Remote DMX commissioning for artnets recorder up to 8 universes. Pixel mapping/control is not offered for remote commissioning |
| ARTNET-S-ONS-COMM-8 | Onsite DMX commissioning for artnets recorder up to 8 universes (est. 3 days) |
| MADRIX DMX SYSTEM | |
| DMX-COMM-2U-MDRX | Onsite commissioning for mardix, up to 2 universes (est. 3 days) |
| DMX-COMM-8U-MDRX | Onsite commissioning for mardix, up to 8 universes (est. 3 days) |
| DMX-COMM-16U-MDRX | Onsite commissioning for mardix, up to 16 universes (est. 4 days) |
| DMX-COMM-24U-MDRX | Onsite commissioning for mardix, up to 24 universes (est. 4 days) |
| DMX-COMM-32U-MDRX | Onsite commissioning for mardix, up to 32 universes (est. 5 days) |
| 32+ UNIVERSE | Contact factory |