



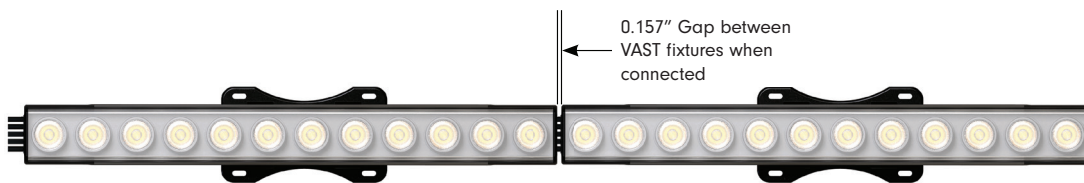
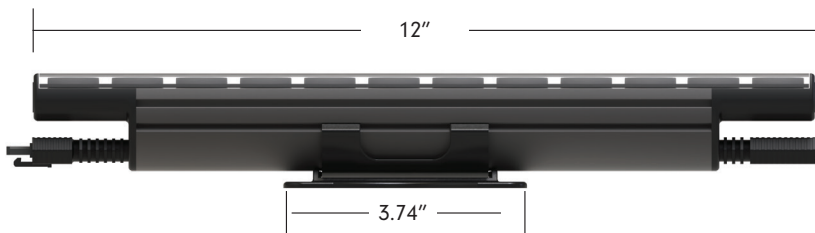
VASTGRAZER



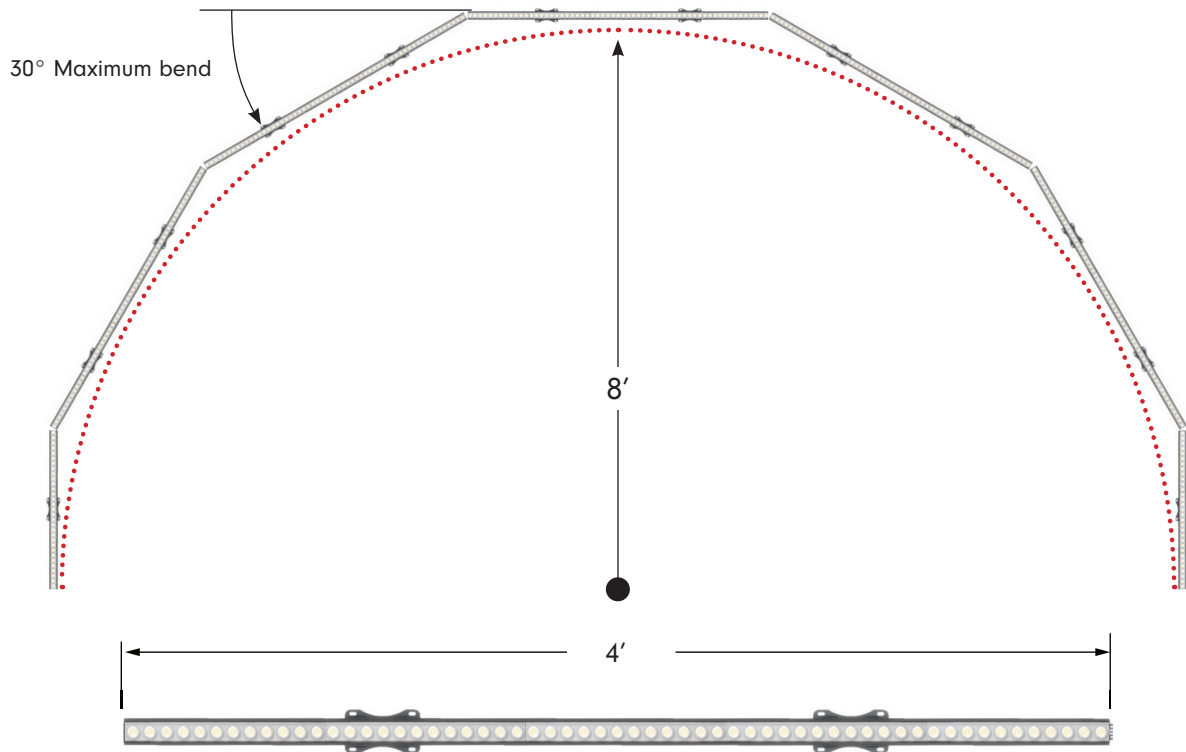
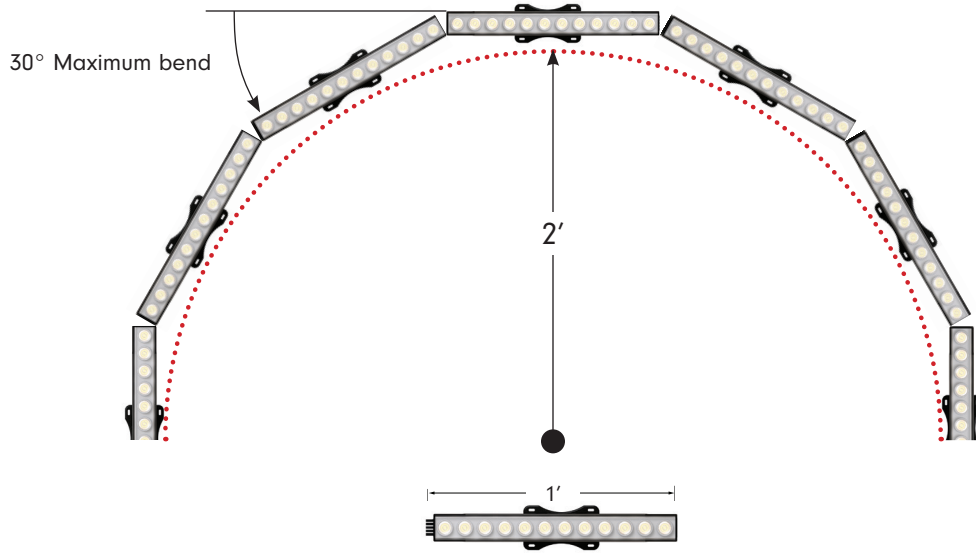
Project: _____ TYPE: _____

- An industry first, patent pending dual dimming system for both ELV and 0-10V built in
- Self Ballasted 120V AC - 277V AC
- Maximum Run up to 55'
- Flexible connectors accommodate curves
- Adjustable mounting bracket for desired angle
- For Dry/Damp location
- IP52 Rating
- 5 Year warranty

Dimensions



Radius Bend



Ordering Guide

PRODUCT CODE	BEAM ANGLE	LED TYPE	HOUSING COLOR	LED COLOR	*DIMMING	LENGTH
VASTGZ		HO	SG			
VASTGZ = VAST Grazer	1010 = 10x10 1515 = 15x15 1919 = 19x19 2525 = 25x25 3030 = 30x30 5050 = 50x50 6565 = 65x65 8383 = 83x83 1035 = 10x35 1555 = 15x55 1618 = 16x18 1635 = 16x35 1830 = 18x30 2035 = 20x35 2550 = 25x50 2535 = 25x35 3060 = 30x60	HO = High Output	SG = Space Gray	27 = 2700K 30 = 3000K 35 = 3500K 40 = 4000K 53 = 5300K 60 = 6000K	01 = 0-10V/ELV (ELV 120V AC) 02 = 0-10V/ELV (ELV 277V AC)	1 = 1' 4 = 4'

*For ELV dimming please choose (01) 120V or (02) 277V

For 0-10V dimming both options (01) 120V / (02) 277V work with built-in universal voltage

Specification



Unit Size	1'	4'
Lumens (lm/ft) (based on 3000K)	1224	4896
Efficacy (based on 3000K)	102	102
CRI	94+	
R9	70	
Optics		
Beam Angle: Symmetrical	10x10/15x15/19x19/25x25/30x30/50x50/65x65/83x83	
Beam Angle: Asymmetrical	10x35/15x55/16x18/16x35/18x30/20x35/25x50/25x35/30x60	
Electrical		
Input Voltage	100-277V AC 50/60Hz	
Power Consumption W/unit	12	48
Maximum Run Length	50'	
Dimming	ELV@120V AC. ELV@277V AC (dimming down to 10%), 0-10V@100-277V AC (dimming down to 3%)	
Physical		
Mounting	Surface Mount with adjustable clip	
Operating Temperature	-4°F ~ 149°F (-20°C ~ 65°C)	
Storage Temperature	-13°F ~ 158°F (-25°C ~ 70°C)	
Certification and Testing		
Certification	cETLus, CE, RoHS	
Rated Life	90000 hrs. @ 25°C	
IP Rating	IP52	
Environment	Dry/Damp Location	
Warranty	5 years	

Accessories



VAST-T-CONN-SIG
T Connector 7' Power Cable and
7' 0-10V Signal Cable



VAST-PWR-5P-10
ELV 10' Power Cable, 5-Pin
Connection to hard wire



VAST-JUMPER-5P-X
X = 0.5 (6"), 1 (1'), 5 (5'), 10 (10')
Jumper, 5-Pin Connection



VAST-5P-EC
5-Pin End Cap



VASTGZ-BAFL-2
Black Symmetrical baffle 1' length



VASTGZ-BAFL-1
Black Asymmetrical baffle 1' length



VAST-CHAN-BLK-6.5
Straight channel black 6.5' length

Dimming Module

0-10V

Cat No	Application	Input Voltage	OUTput Voltage	Max Load
DIM-LD-010	Indoor	12V/24V DC	12V/24V DC	30 mA max. output (sink only)

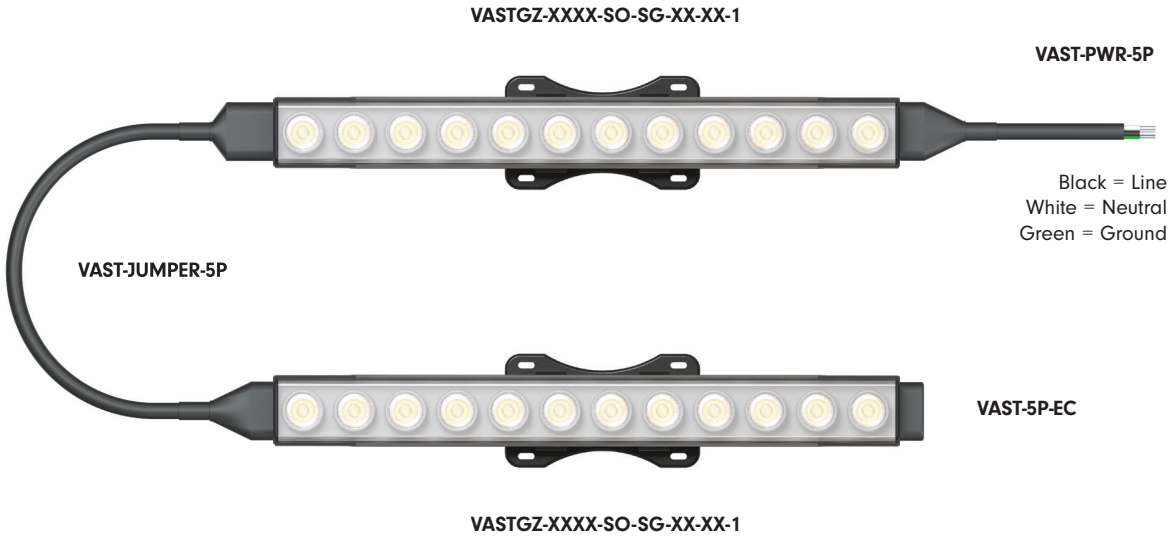
ELV

Cat No	Application	Input Voltage	OUTput Voltage	Max Load
ME-600	Indoor	120V AC	120V AC	450W
DE-300				300W

Wiring Diagram

ELV

120V or 277V AC input voltage available for ELV dimming - Please specify at time of ordering for correct application



0-10V

100V - 277V AC universal input voltage available for 0-10V option

