

VASTCOVE

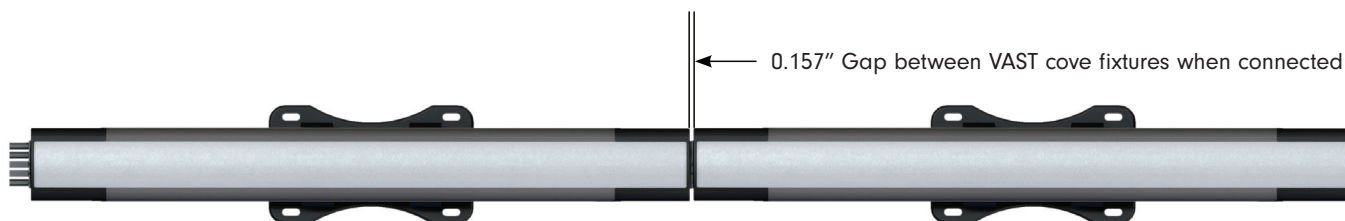
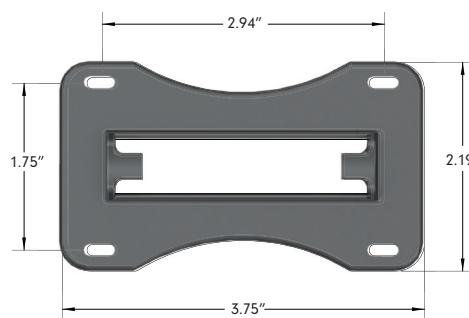
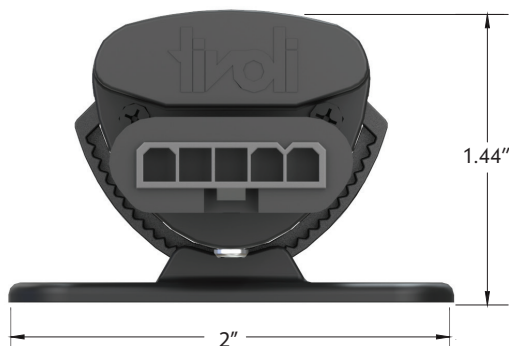




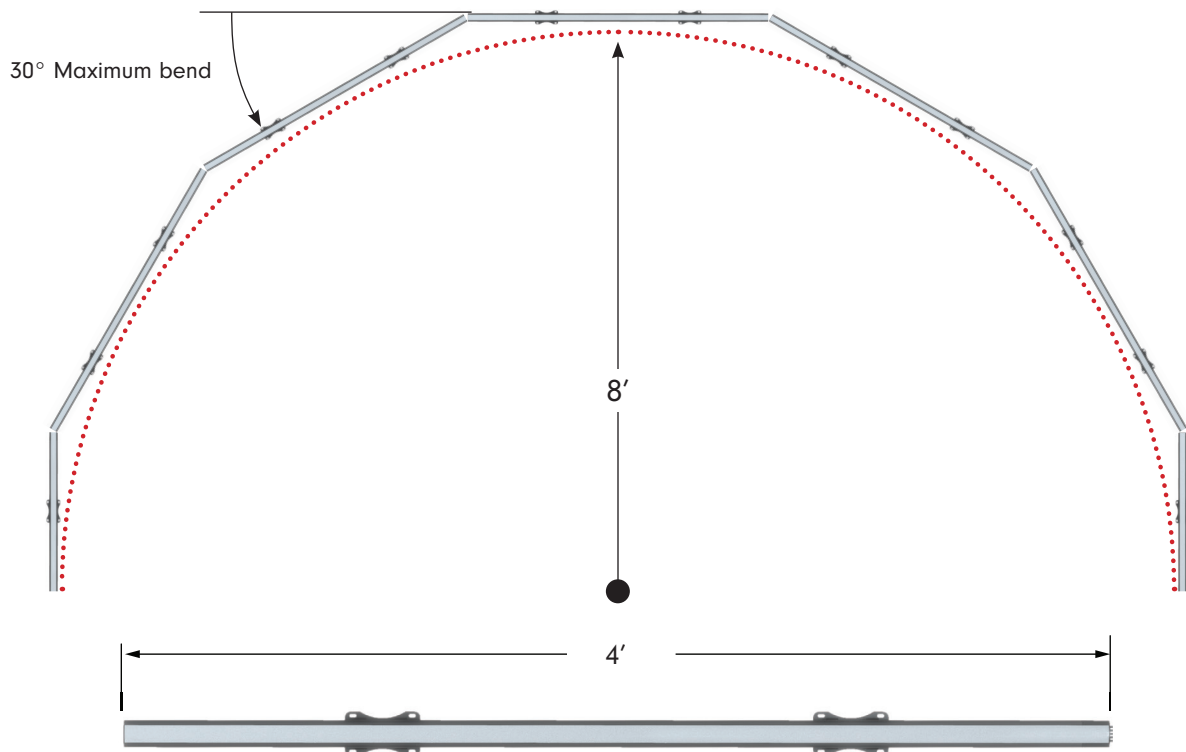
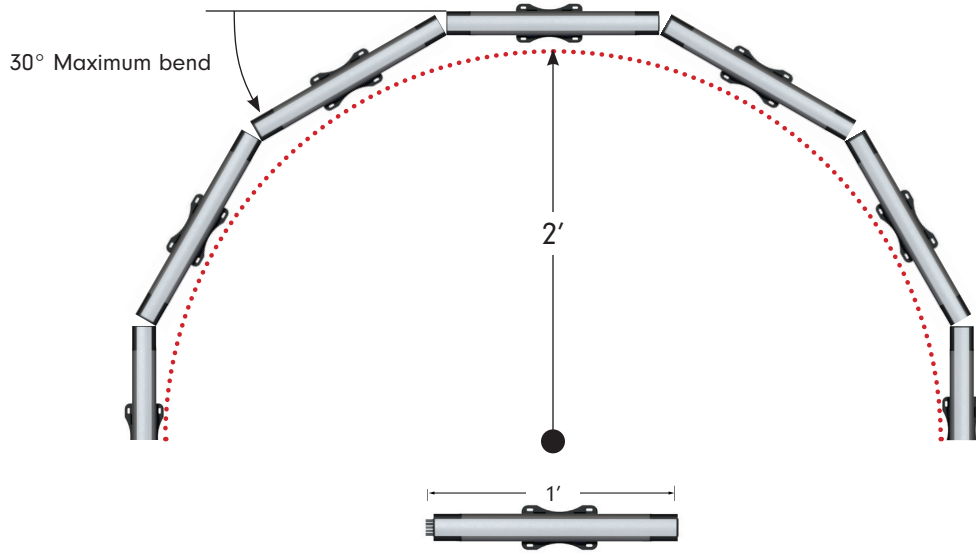
Project: _____ TYPE: _____

- An industry first, patent pending dual dimming system for both ELV and 0-10V built in
- Self Ballasted 120V AC - 277V AC
- Up to 826 lumens/ft.
- Maximum Run up to 120'
- Flexible connectors accommodate curves
- Adjustable mounting bracket for desired angle
- For Dry/Damp location
- IP52 Rating
- 5 Year warranty

Dimensions



Radius Bend



Order Specification Guide

Patent Pending Dual Dimming Ordering Assistance



The table below will assist in ordering the correct VAST Cove Light for your application according to the dimming required

0-10V

Input	Dimming 0-10V	Order Code
120-277V	120V-277V	VAST-XX-SG-OP-XX-01-X
		VAST-XX-SG-OP-XX-02-X

ELV

Input	Dimming ELV	Order Code
120-277V	120V	VAST-XX-SG-OP-XX-01-X
	277V	VAST-XX-SG-OP-XX-02-X

PRODUCT CODE	LED TYPE	COLOR	LENS	LED COLOR	**DIMMING OPTION	
VAST		SG	OP			
VAST = VAST Static Cove Light	SB = Standard Brightness HO = High Output	SG = Space Gray	OP = Opal	27 = 2700K 30 = 3000K 35 = 3500K* 40 = 4000K 53 = 5300K 60 = 6000K	01 = ELV (120V AC) / 0-10V(120-277VAC) 02 = ELV (277V AC) / 0-10V(120-277VAC)	1 = 1' 4 = 4'

*Consult Factory for MOQ and Lead Time

**This column helps specify correct accessories for ELV or 0-10V dimming (page 12-13)

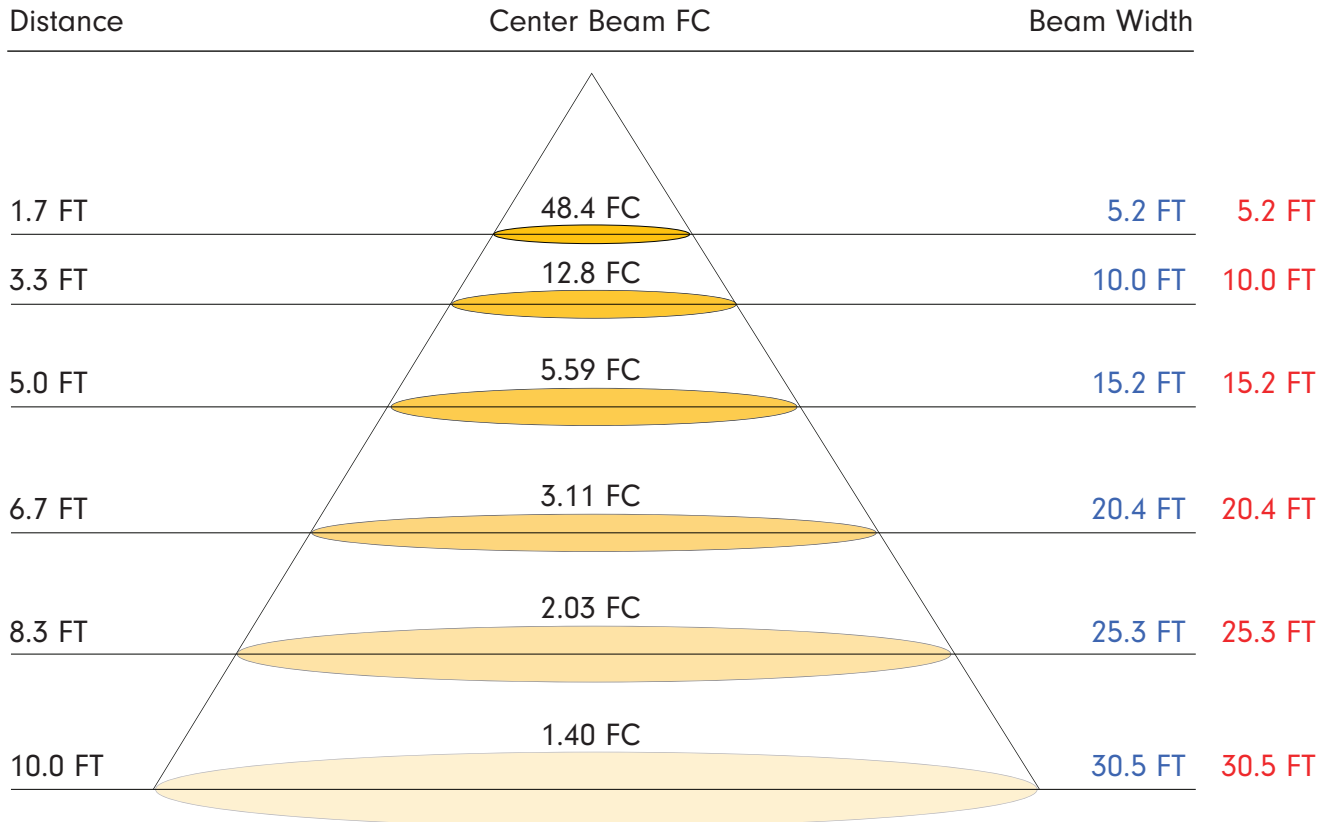
Specifications (no baffle)



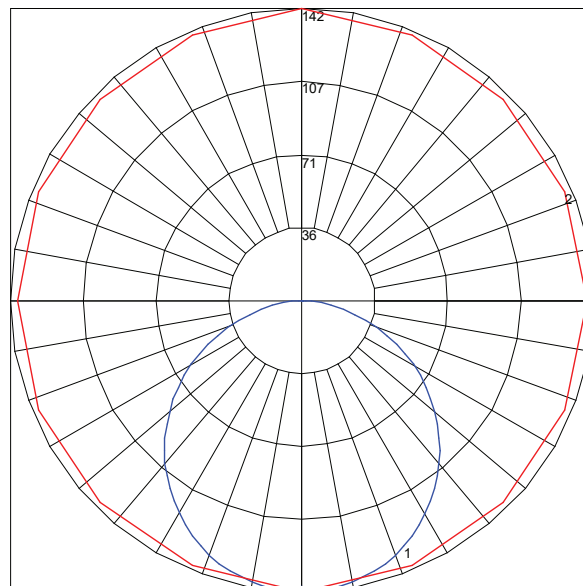
Output (Standard Brightness - SB)		
Fixture Size	1'	4'
Lumens (lm/unit)	413	1580
Efficacy	78	85
Output (High Output - HO)		
Lumens (lm/unit)	826	3160
Efficacy	78	85
LED		
Beam Angle	114°	
R9	70	
CRI	94	
Electrical		
Dimming	ELV@120V AC. ELV@277V AC (dimming down to 10%), 0-10V@100-277V AC (dimming down to 3%)	
Input Voltage	100-277V AC 50/60Hz	
Power Consumption (W/unit)	5.29W (SB), 10.58W (HO)	18.55W (SB), 37.1W (HO)
Maximum Electrical Run	120' (SB), 60' (HO)	120' (SB), 60' (HO)
Physical		
Mounting	Surface Mount with adjustable clip	
Operating Temperature	-4°F ~ 149°F (-20°C ~ 65°C)	
Storage Temperature	-13°F ~ 158°F (-25°C ~ 70°C)	
Certification and Testing		
Certification	ETLus, CE, RoHS	
Rated Life	90000 hrs. @ 25°C	
Environment	Dry/Damp Location	
IP Rating	IP52	
Warranty	5 Years	

Tivoli, LLC. Reserves the right to modify this specification without prior notice.

Photometrics SB (no baffle)



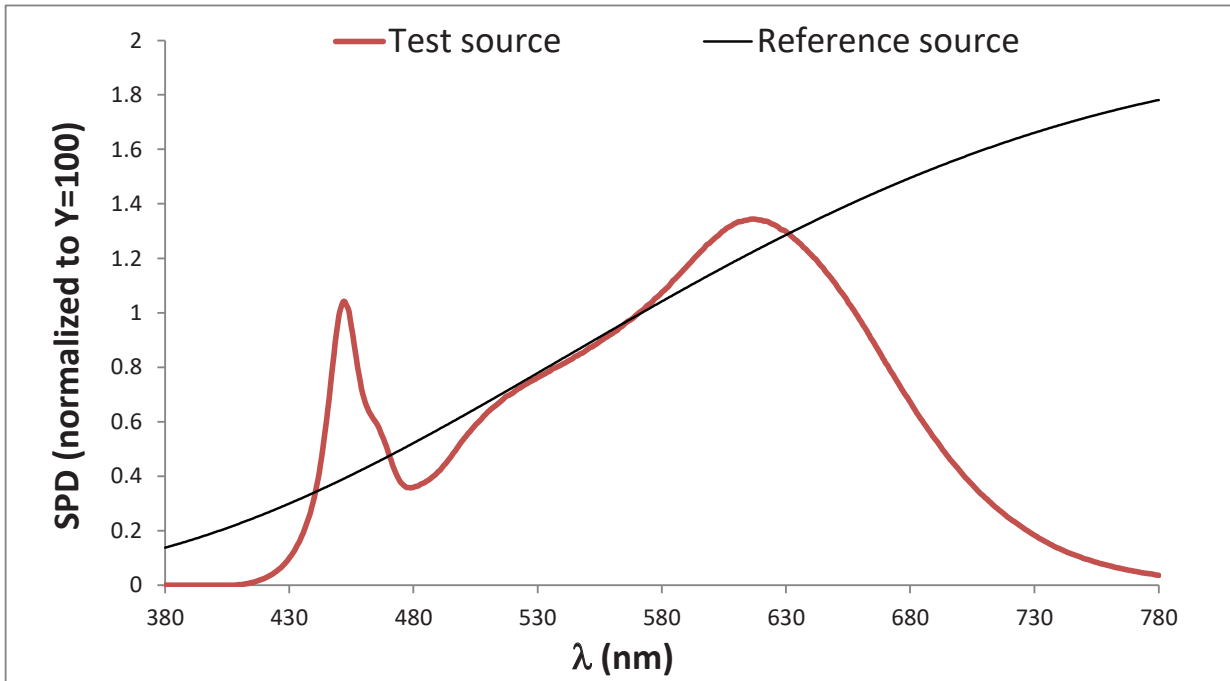
■ Horiz. Spread 112.4 °
 ■ Vert. Spread 113.4 °



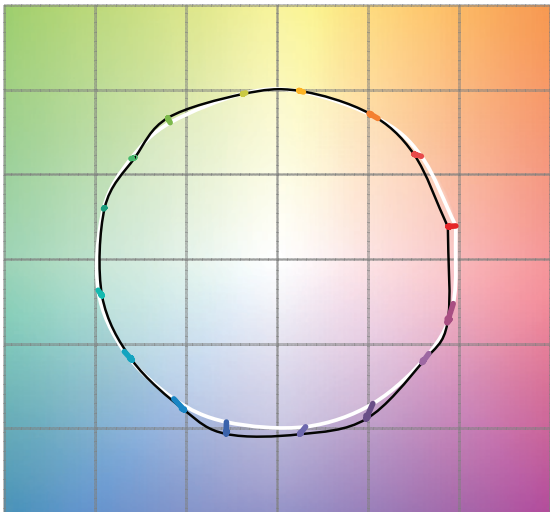
#1 Vertical Plane Through Horizontal Angles (90-270) (Through Max. Cd.)
 #2 Horizontal Cone Through Vertical Angle (2.5) (Through Max. Cd.)

TM-30 (no baffle)

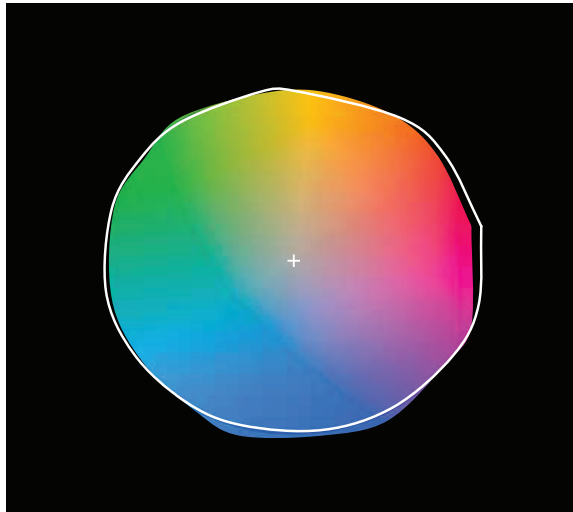
R_f	R_g	CCT (K)	D_{uv}	u'	v'
90	101	3157	-0.0053	0.2474	0.5109



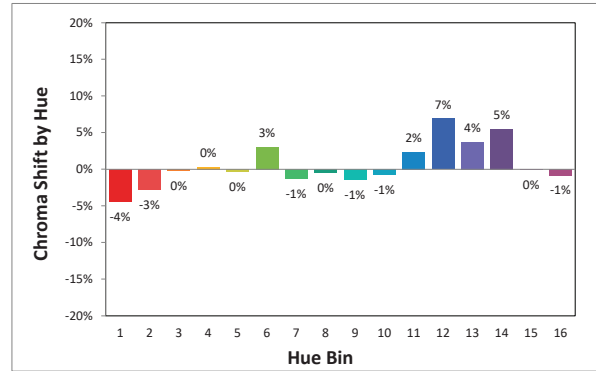
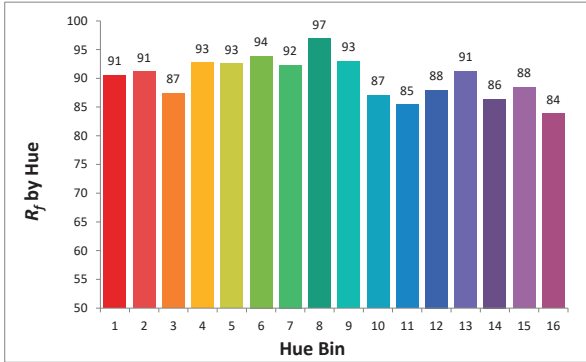
Color Vector Graphic



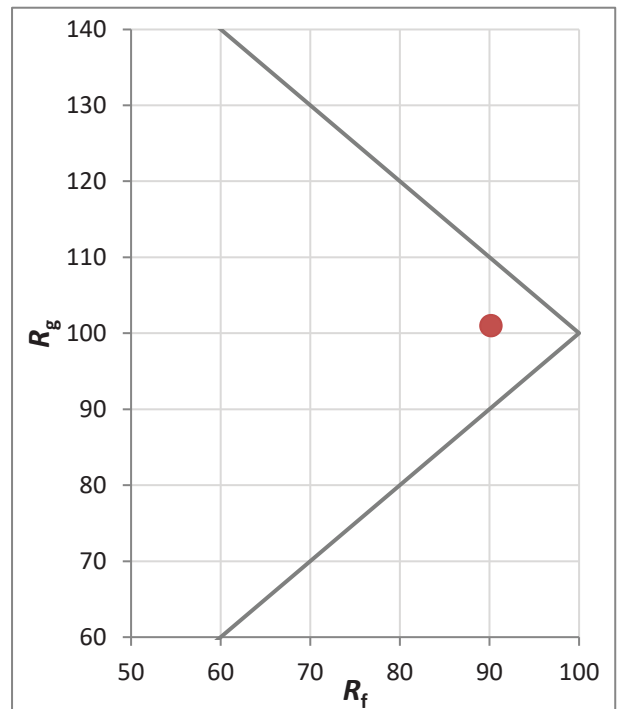
Color Distortion Graphic



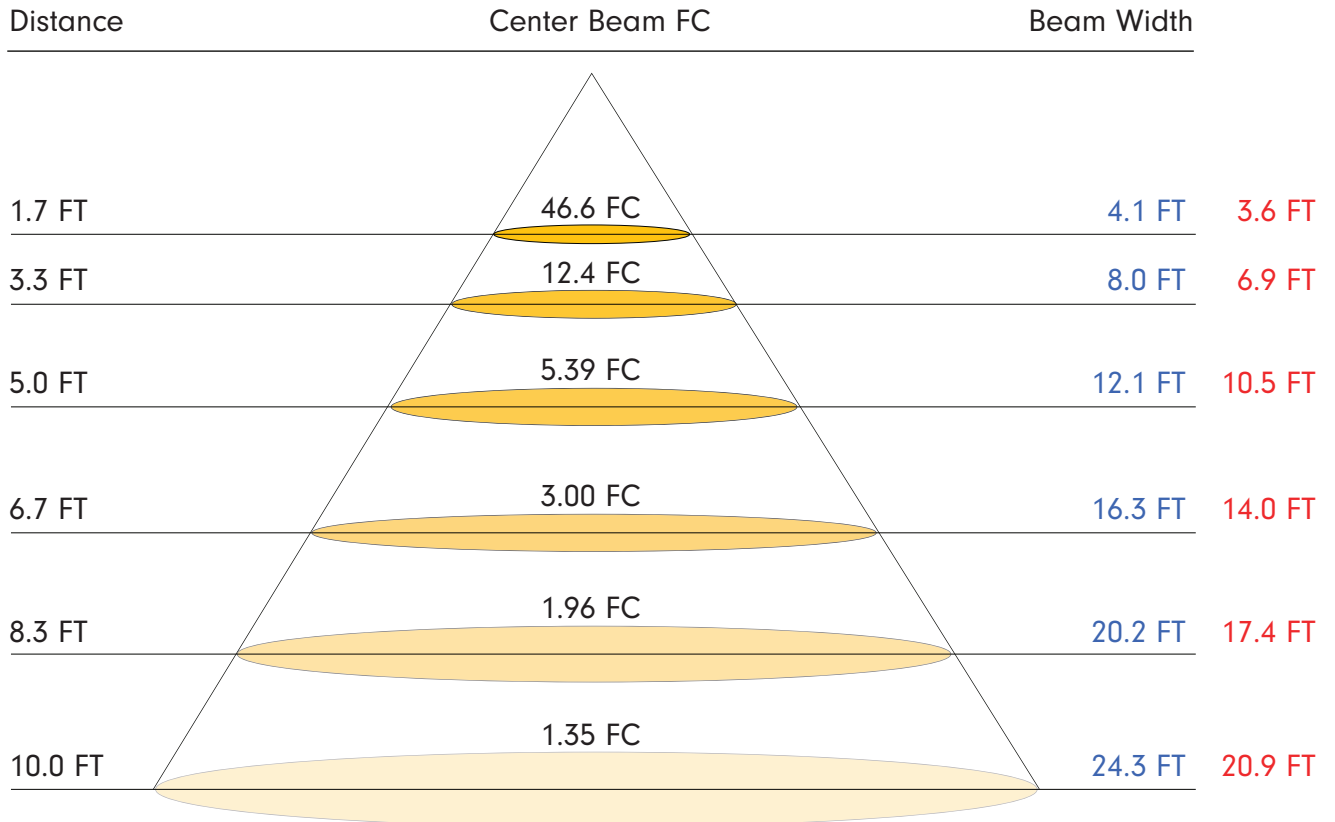
TM-30 (no baffle)



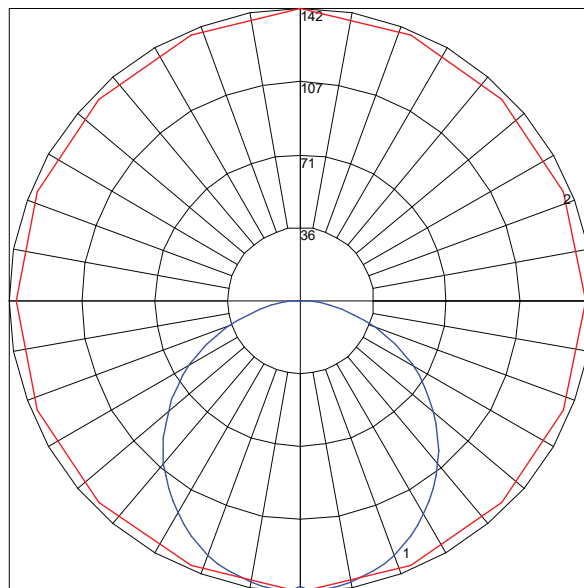
Hue Bin	R _f	Graphic Shifts (%)	
		Chroma	Hue
1	91	-4%	0%
2	91	-3%	3%
3	87	0%	6%
4	93	0%	3%
5	93	0%	2%
6	94	3%	-1%
7	92	-1%	-2%
8	97	0%	-1%
9	93	-1%	4%
10	87	-1%	7%
11	85	2%	9%
12	88	7%	1%
13	91	4%	-4%
14	86	5%	-8%
15	88	0%	-6%
16	84	-1%	-12%



Photometrics SB (with baffle)



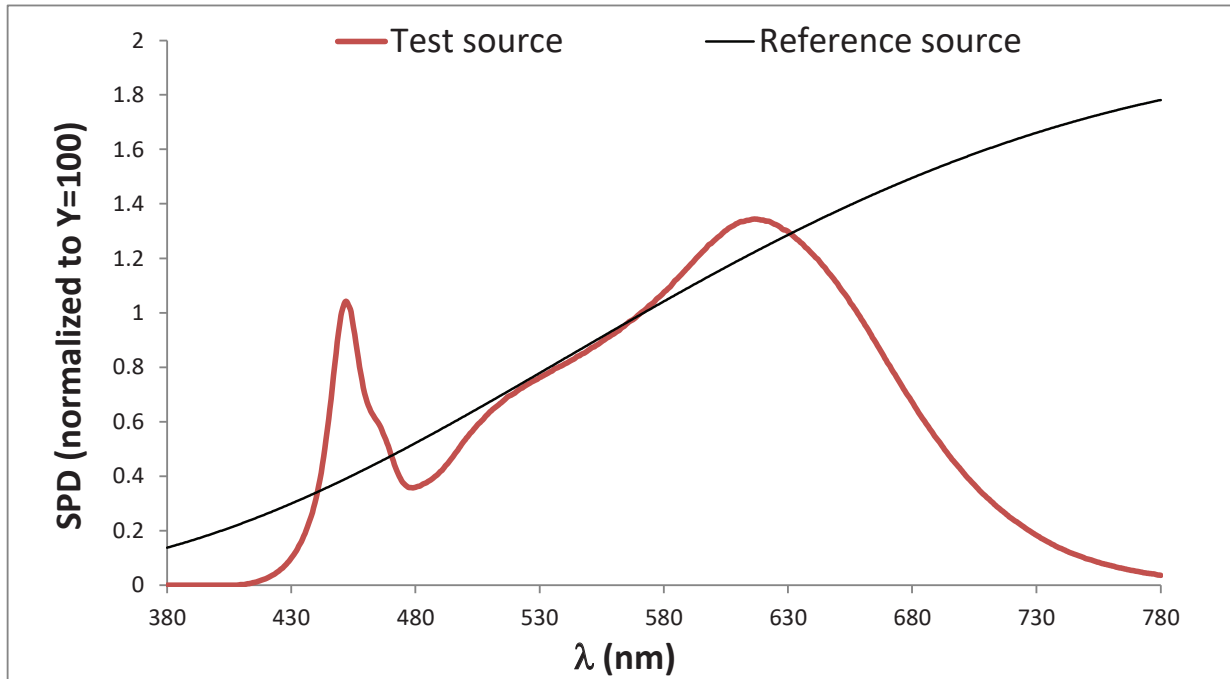
■ Horiz. Spread 112.4 °
 ■ Vert. Spread 113.4 °



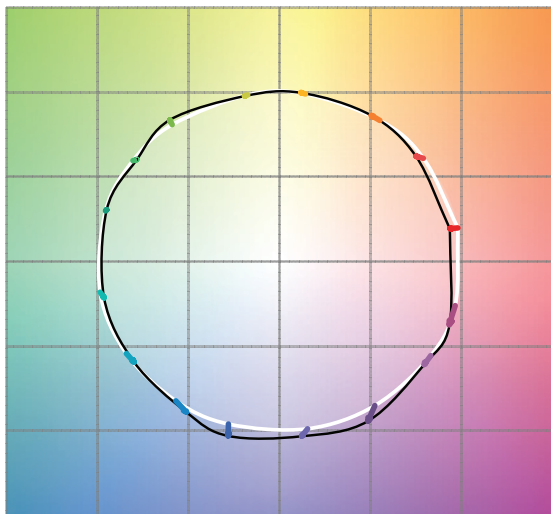
#1 Vertical Plane Through Horizontal Angles (90-270) (Through Max. Cd.)
 #2 Horizontal Cone Through Vertical Angle (2.5) (Through Max. Cd.)

TM-30 (with baffle)

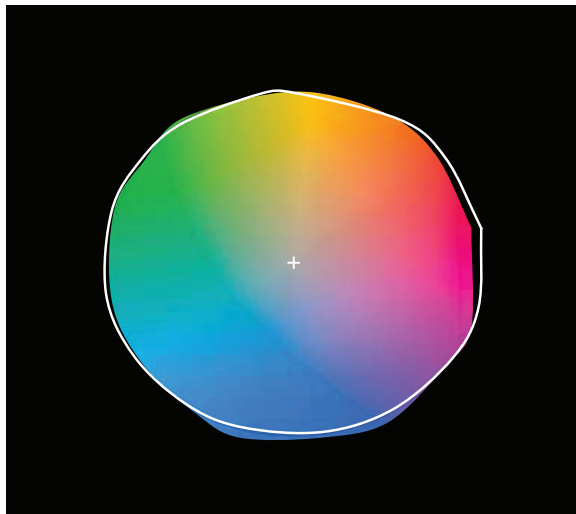
R_f	R_g	CCT (K)	D_{uv}	u'	v'
90	101	3157	-0.0053	0.2474	0.5109



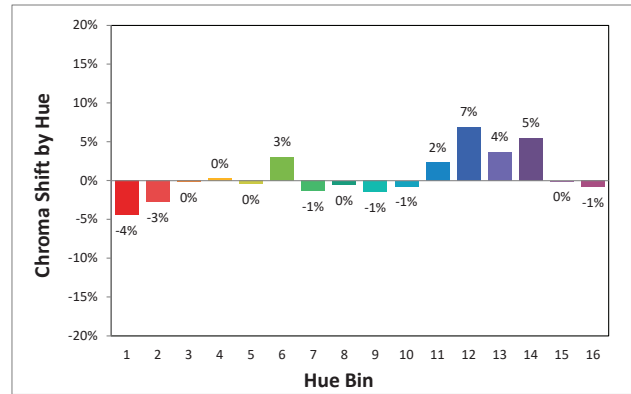
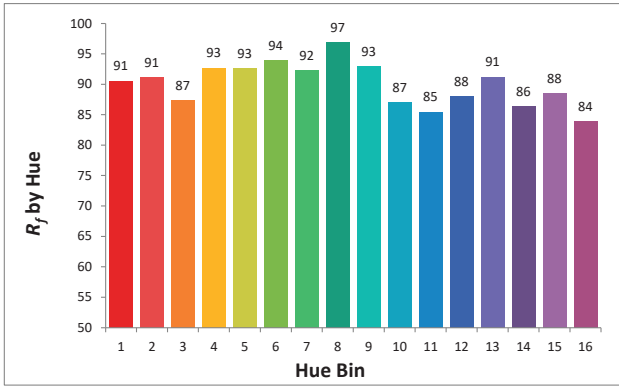
Color Vector Graphic



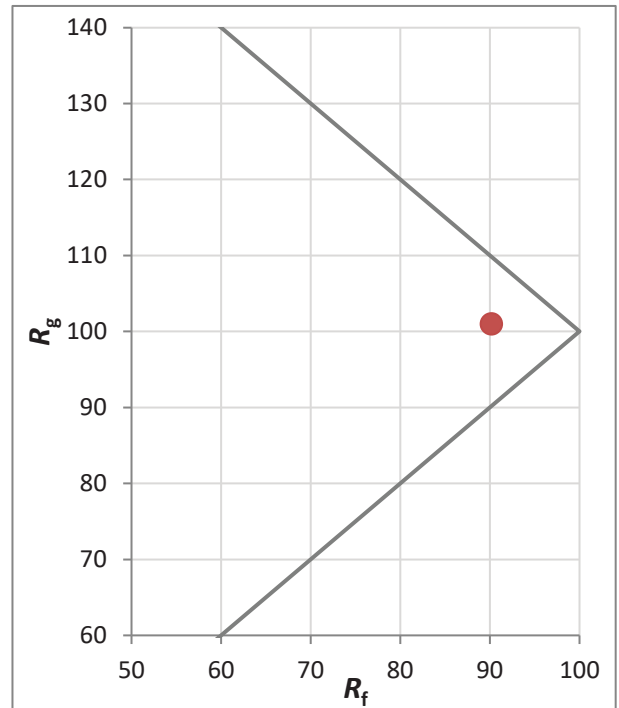
Color Distortion Graphic



TM-30 (with baffle)



Hue Bin	R_f	Graphic Shifts (%)	
		Chroma	Hue
1	91	-4%	0%
2	91	-3%	3%
3	87	0%	6%
4	93	0%	3%
5	93	0%	2%
6	94	3%	-1%
7	92	-1%	-2%
8	97	0%	-1%
9	93	-1%	4%
10	87	-1%	7%
11	85	2%	9%
12	88	7%	1%
13	91	4%	-4%
14	86	5%	-8%
15	88	0%	-6%
16	84	-1%	-12%



Accessories



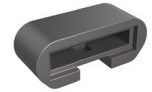
VAST-PWR-5P-10
10' Power Cable for ELV dimming 5-Pin Connection to hard wire



VAST-T-CONN-SIG
T Connector 6' Power Cable and 6' 0-10V Signal Cable



VAST-JUMPER-5P-XX
XX = 0.5 (6"), 1 (1'), 5 (5'), 10 (10')
5-Pin Jumper



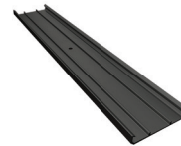
VAST-5P-EC
5-Pin End Cap



VAST-BAFL-1
Black Asymmetrical baffle
1' length



VAST-BAFL-3
Honeycomb baffle
1' length



VAST-CHAN-BLK-6.5
Vast straight channel silver
6.5' length



VAST-JBOX-X-BLK
X = P (Power Connect), E (0-10V), D (DMX)
Junction box for VAST fixture, Chicago CCEA approved

Dimming Module

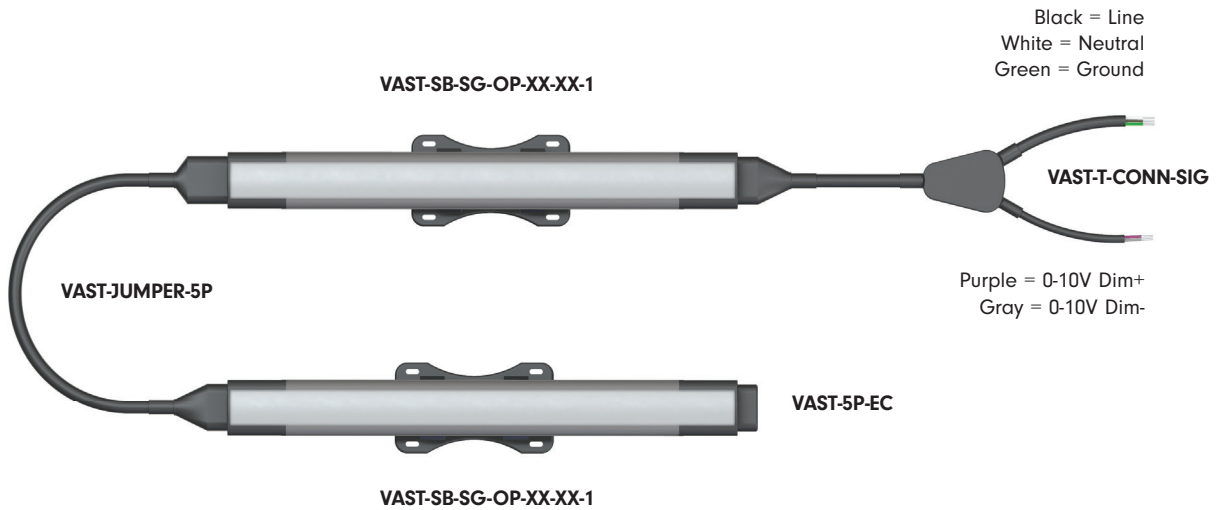
ELV

Cat No	Application	Input Voltage	OUTput Voltage	Max Load
ME-600	Indoor	120V AC	120V AC	450W
DE-300				300W

Wiring Diagram

0-10V Dimming **Note:** Diagram for wiring purposes only and does not represent the actual physical product.

100V-277V AC universal input voltage available for 0-10V dimming



Wiring Diagram

ELV Dimming **Note:** Diagram for wiring purposes only and does not represent the actual physical product.

120V or 277V AC input voltage available for ELV dimming - Please specify at time of ordering which is needed based on application

