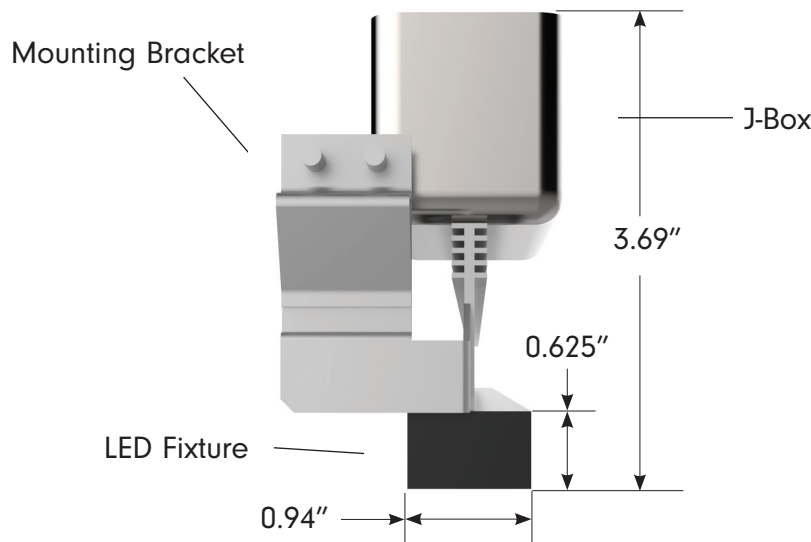


Project: \_\_\_\_\_ Type: \_\_\_\_\_

- Light can be dispersed around a space to achieve even illumination and desired light levels exactly where they are needed.
- Compatible with intelligent building control system and DC power sources that help designers meet green building requirements.
- Shape of the TivoBAR is designed to quickly transfer all heat generated by the LED away from its surrounding area.
- 2 circuit 0-10V dimming capability with commercially available dimming controls (by others)
- 4 cables of 20AWG inside junction box for individual connection and dimming control of the two LED sections (Cutoff Reflector - Circuit B and Diffusing Lens - Circuit A) for multiple options (house lights, movie run, cleaning).

Dimensions



## Ordering Guide

PRODUCT CODE	GRID TYPE	LED TYPE	MOUNT CLIPS	LENGTH	VOLTAGE
<b>TVBR</b>	<b>24</b>		<b>U</b>		<b>24</b>
TVBR = TivoBAR		<b>30</b> = 3000K +/-100K <b>35</b> = 3500K +/-100K (Special Order) <b>40</b> = 4000K +/-100K <b>45</b> = 4500K +/-100K (Special Order)	U = Universal	<b>2</b> = 24" <b>4</b> = 48"	24 = 24V DC

## Specification

TivoBAR	24"		48"	
Lumens Per Circuit	Diffused (A)	Direct (B)	Diffused (A)	Direct (B)
Diffused (Circuit A Cleaning Lights)	781	336	1562	672
Direct (Circuit B House Lights)				
*Total Lumens	1122		2244	
*Watts	17W (6W/11W)		34W (22W/12W)	

Electrical (based on 4'3000K)	
Lumen/Watt	66
CRI	>80/TYP84
Kelvin Temp	3000K, 4000K, **3500K, **4500K
Rated Life	50,000 hrs.
Ordering Increment	2', 4'
Operating Voltage	24V DC
Power Supply	Class 2
Dimming	Yes (0-10V)

Certification and Testing	
Certification	cETLus
Environment	Dry Location
Rated Life	50,000 hrs.
Power Supply	Class 2
Warranty	5 years

Notes: Available by request only, consult factory

## Power Supplies

### ADUL - 0-10V DIMMING

DESCRIPTION	CAT NO	APPLICATION	PRIMARY VOLTAGE	SECONDARY VOLTAGE	CIRCUIT BREAKERS	MAX LOAD	CIRCUIT CAPACITY
ADUL Series Class 2 Transformer	ADUL-120-1-4-24-DOT	Indoor / Damp	100-277V AC 50/60 HZ	24V DC	1	96W	4A
	ADUL-240-2-4-24-DOT				2	2x96W	2x4A
	ADUL-320-3-4-24-DOT				3	3x96W	3x4A

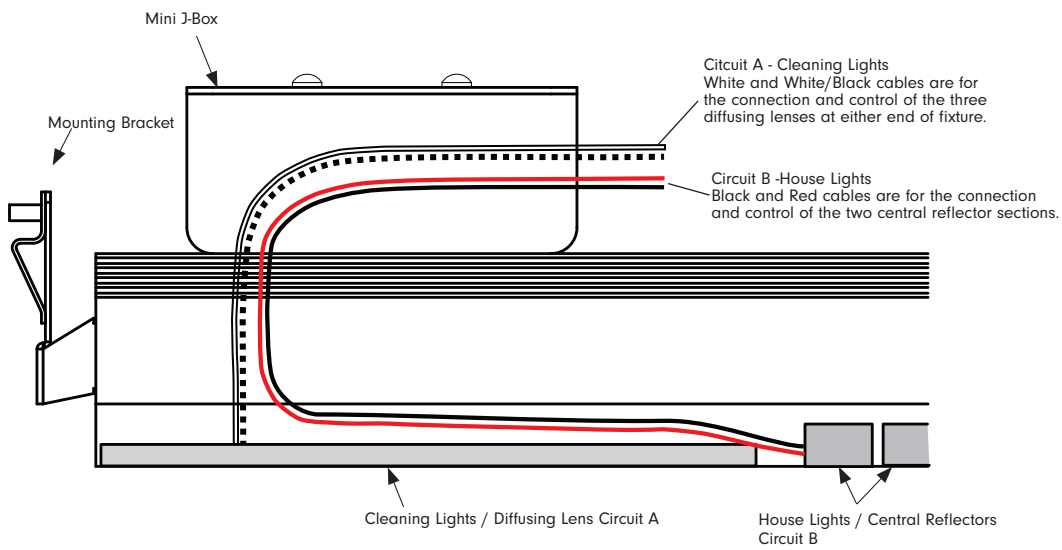
## Dimmers

### DIMMING - 0-10V

DESCRIPTION	CAT NO	APPLICATION	INPUT VOLTAGE	OUTPUT VOLTAGE	MAX LOAD
0-10V Dimmer	DIM-LD-010	Indoor	12V/24V DC	12V/24V DC	30 mA max. output (sink only)

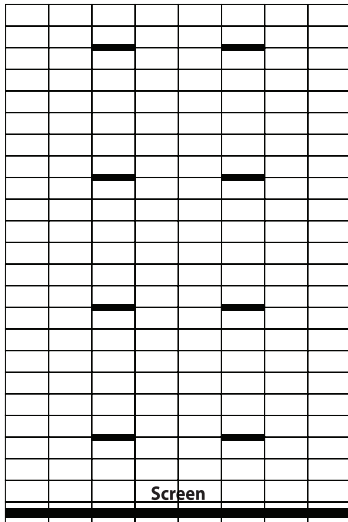
## Wiring Diagram

### Two Independent Circuits For Dimming

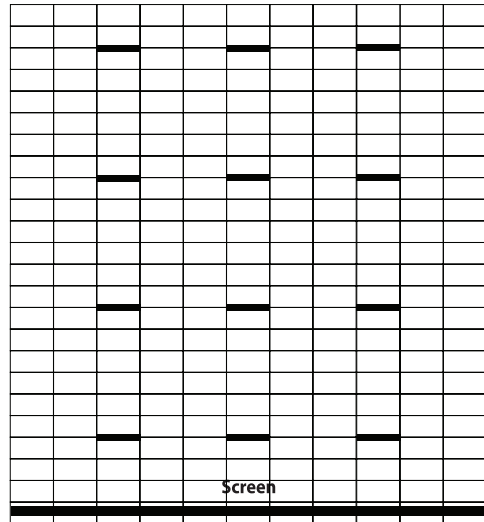


# TivoBAR Typical Ceiling Fixture Layouts

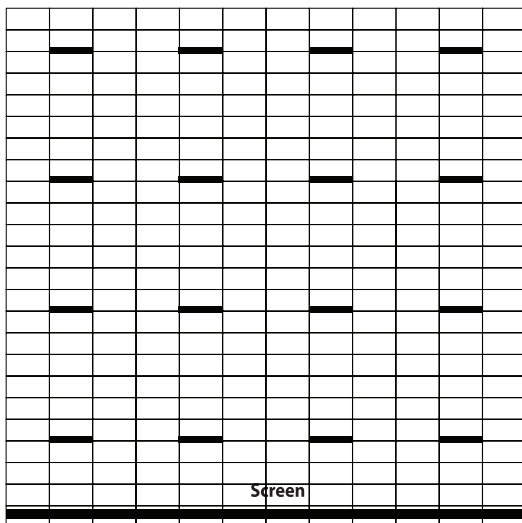
**SMALL THEATRE**  
8 Ceiling Fixtures  
Circuit A - 1ea. ADUL-240-2-4-24-DOT  
Circuit B - 1ea. ADUL-120-1-4-24-DOT



**MEDIUM THEATRE**  
12 Ceiling Fixtures  
Circuit A - 1ea. ADUL-320-3-4-24-DOT  
Circuit B - 1ea. ADUL-240-2-4-24-DOT



**LARGE THEATRE**  
16 Ceiling Fixtures  
Circuit A - 2ea. ADUL-320-3-4-24-DOT  
Circuit B - 1ea. ADUL-320-3-4-24-DOT



**LARGE THEATRE**  
15 Ceiling Fixtures  
Circuit A - 2ea. ADUL-320-3-4-24-DOT  
Circuit B - 1ea. ADUL-320-3-4-24-DOT

