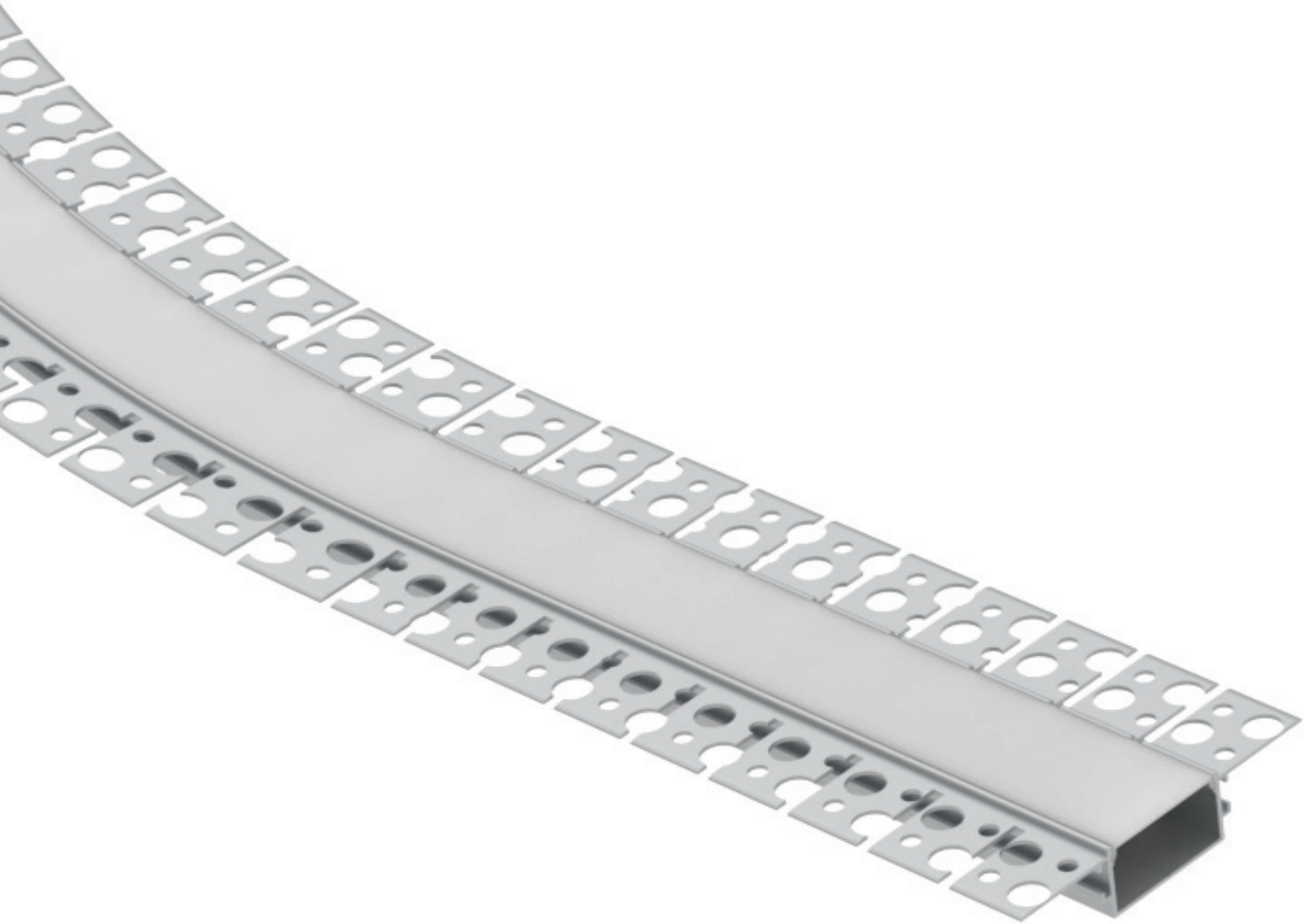
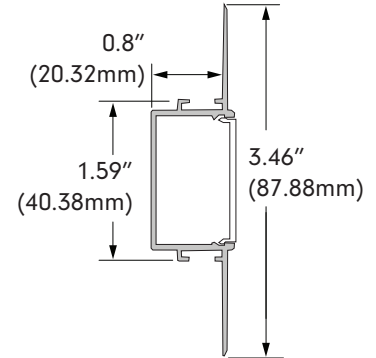
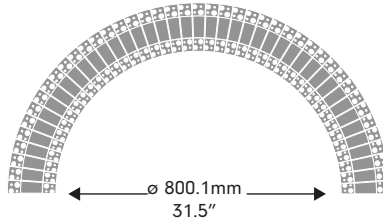
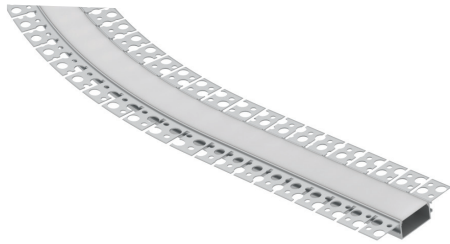


GLORIETA

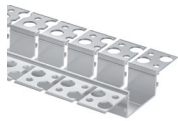
Design Guide



Profile & Dimensions



Ordering Information



GLOR-CHAN-XXX-6.5
XXX=SIL (Silver), **WHT** (White),
BLK (Black)
 Anodized Aluminum Extrusion,
 available in 6.5' lengths



GLOR-LNS-SIL-XXX-XXX
XXX= DIF (Diffuser), **BLK** (Black)
XXX (unit in feet) = **10, 50, 100**
 Silicone Lens Roll



GLOR-EC-XXX-01
XXX= WHT (White), **SIL** (Silver),
BLK (Black)
 Solid End Cap



GLOR-EC-XXX-02
XXX= WHT (White), **SIL** (Silver),
BLK (Black)
 Powerfeed End Cap

Joiners & Brackets



GLOR-JOINT-90-V
 Vertical 90° Corner Joiner



GLOR-JOINT-90
 90° Inside Corner Joiner

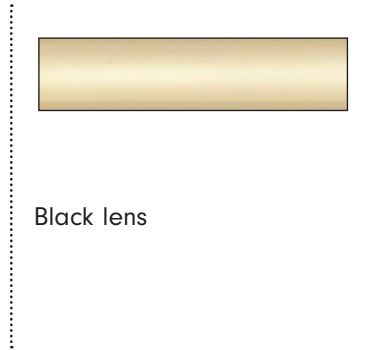


GLOR-JOINT-180
 180° Joint Bracket

Diode Visibility



Diffused lens



Black lens