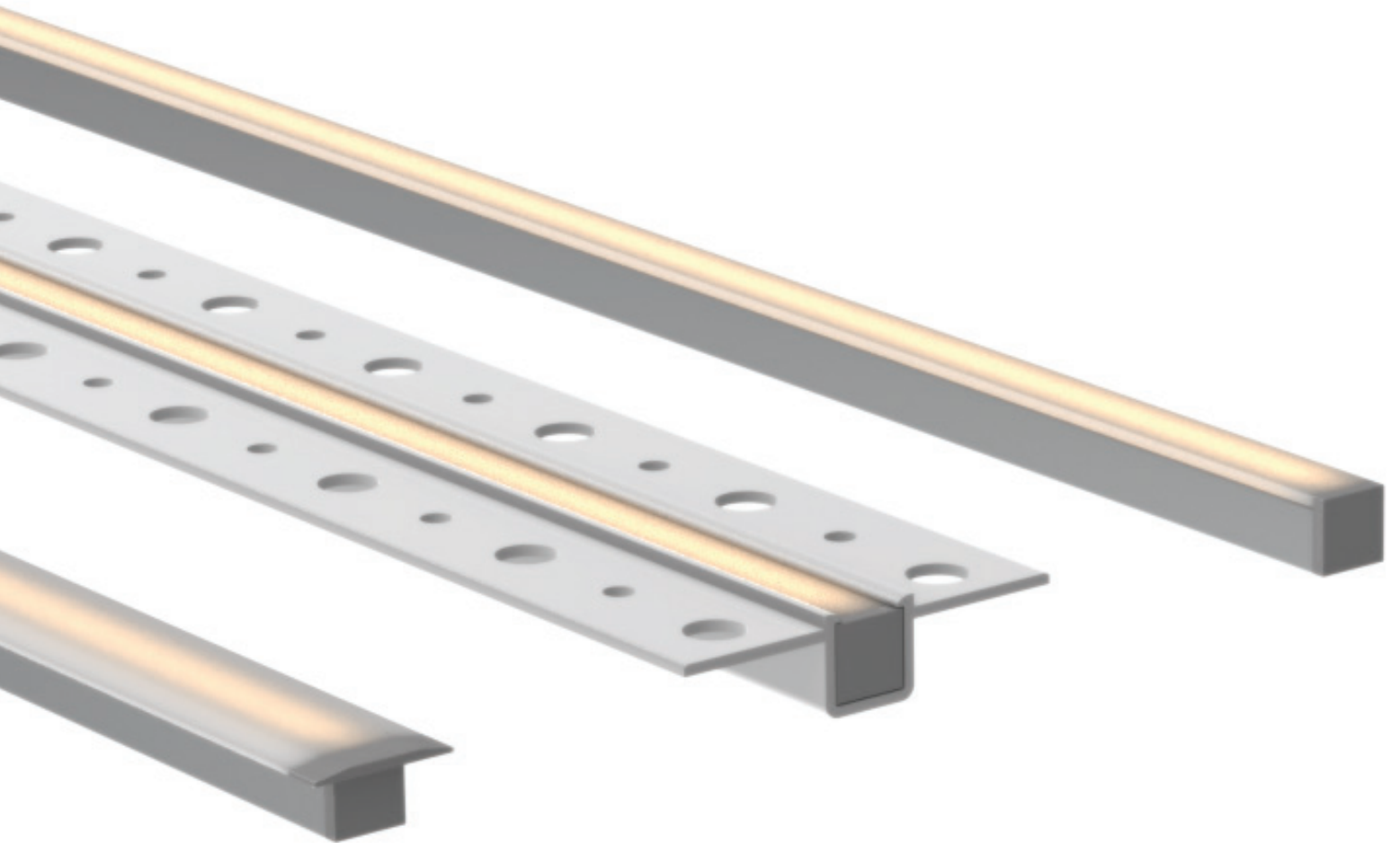
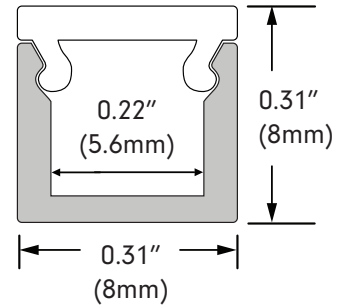
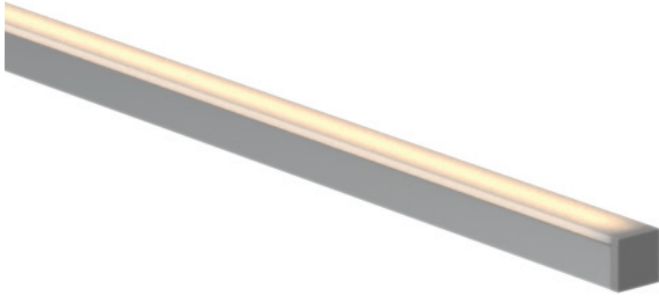


# DUET 01 | COLLECTION

Design Guide



## Surface Profile & Dimensions



## Surface - Ordering Information



**DUET-01-CHAN-SLV-6.5**  
Aluminum extrusion 6.5' Length



**DUET-01-LNS-XXX-6.5**  
**XXX = OPL** (Opal), **CLR** (Clear),  
**DIF** (Diffused), **BLK** (Black)  
PC lens, 6.5' Length



**DUET-01-EC-01**  
Solid End Cap



**DUET-01-EC-02**  
Powerfeed End-Cap

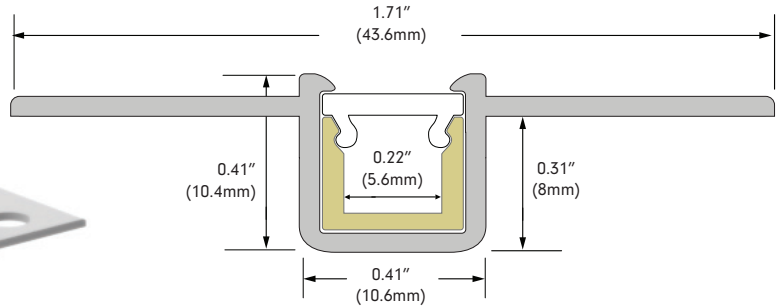


**DUET-01-CLP-SS**  
Silver stainless steel clip

## Available TivoTape Options - Indoor

**ELITE+**  
Slim

### Mud-In Profile & Dimensions



### Mud-In - Ordering Information



**\*DUET-01-CHAN-SLV-6.5**  
Aluminum extrusion 6.5' Length



**\*DUET-01-CHAN-M-6.5**  
Mud-In PC fire-proof extrusion  
6.5' Length



**DUET-01-LNS-XXX-6.5**  
**XXX = OPL (Opal), CLR (Clear),**  
**DIF (Diffused), BLK (Black)**  
PC lens, 6.5' Length



**DUET-01-EC-01**  
Solid End Cap



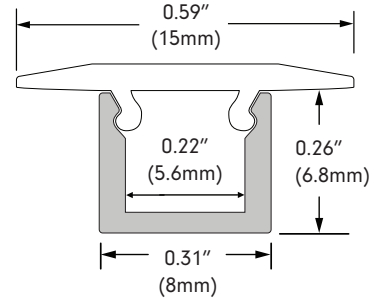
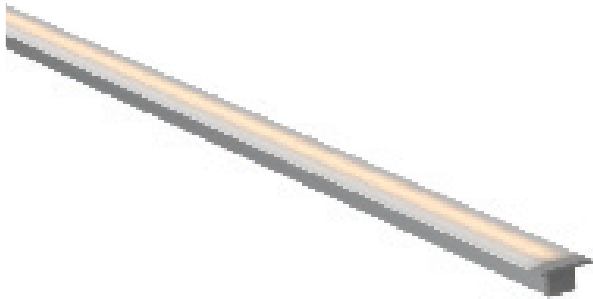
**DUET-01-EC-02**  
Powerfeed End-Cap

\*Both **DUET-01-CHAN-SLV-6.5** and **DUET-01-CHAN-M-6.5** are required for mud-in application

### Available TivoTape Options - Indoor

**ELITE+**  
Slim

Recessed Profile & Dimensions



Recessed - Ordering Information



**DUET-01-CHAN-SLV-6.5**  
Aluminum extrusion 6.5' Length



**DUET-01-LNS-R-XXX-6.5**  
**XXX = OPL** (Opal), **CLR** (Clear),  
**DIF** (Diffused), **BLK** (Black)  
Recessed PC lens, 6.5' Length



**DUET-01-EC-R-01**  
Recessed Solid End-Cap



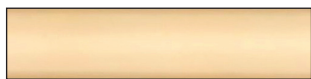
**DUET-01-EC-R-02**  
Recessed Powerfeed End-Cap

Available TivoTape Options - Indoor

**ELITE+**  
Slim



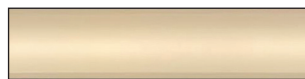
Diode Visibility



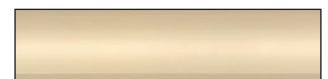
Opal lens



Clear lens



Diffused lens



Black lens