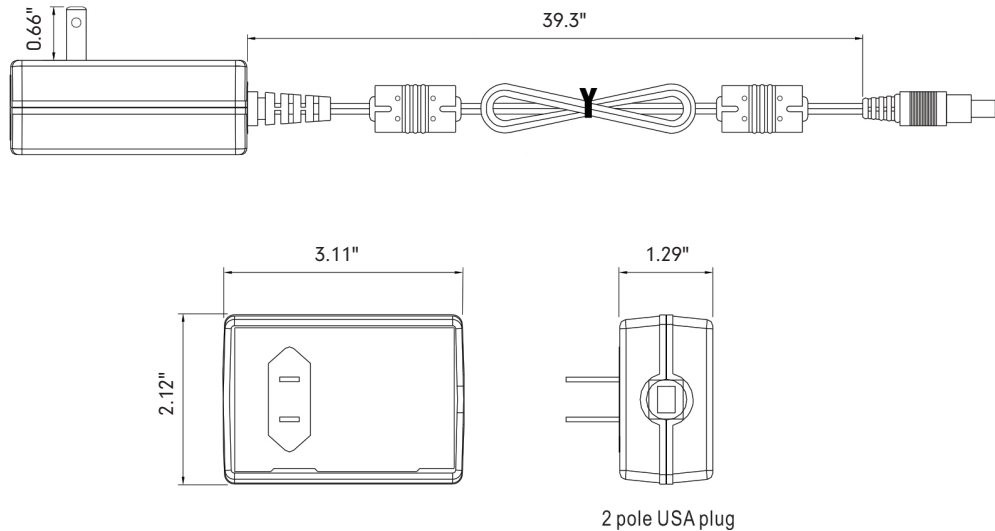




Project: _____ TYPE: _____

- Universal AC input / full range
- 2 Pole USA plug, Class II power
- Up to 86% efficiency with no load power consumption below <math><0.075W</math>
- Comply with EISA 2007/DoE and NRCAN
- Protections: Short Circuit / Overload / Over Voltage
- Meets international safety regulations and adopts the 94V-0 flame retardant plastic case to prevent users from electric hazards
- Pass LPS
- LED indicator for power on
- 3 Year warranty

Dimensions



Accessories



PIT-F-LEAD-12
Barrel female connector to bare wire lead 12"

Specifications

Ordering Information	
Models	PIT-24VDC-28W
Output	
DC Voltage (Voltage set point measure by terminal & 50% load)	242V
Rated Current	1.04A
Current Range	0 ~ 1.04A
Rated Power	25W
Ripple & Noise	150mVp-p
Voltage Tolerance	±2.0%
Line Regulation	±1.0%
Load Regulation	±2.0%
Input	
Input Voltage	85 ~ 264VAC
Frequency Range	47-63Hz
AC Current (Max.)	0.6A / 115VAC 0.35A / 230VAC
Inrush Current (Cold Start)	35A / 115VAC 65A / 230VAC
Leakage Current	0.25mA / 240VAC
Protection	
Overload	110 ~ 150% rated out power
Output Voltage	110 ~ 140% rated out voltage
Environment	
Working Temp.	-30° ~ +70° C
Working Humidity	20 ~ 90% RH, non-condensing
Storage Temp	-0° ~ +85° C
Storage Humidity	10 ~ 95% RH, non-condensing
Temp. Coefficient	±0.03% / °C (0 ~ 50° C)
Vibration	10-500Hz, 2G 10 min./1 cycle, period for 60 min., each along X, Y, Z axis
Physical	
Dimensions	2.4" L x 2.12" W x 1.29" D
Safety Compliance & EMC	
Certification	cULus, CSA, BSMI, EAC
Environment	Dry Location
Withstand Voltage	I/P-O/P: 4242KVAC
Isolation Resistance	I/P-O/P:100M Ω/500VDC/25° C/70%RH