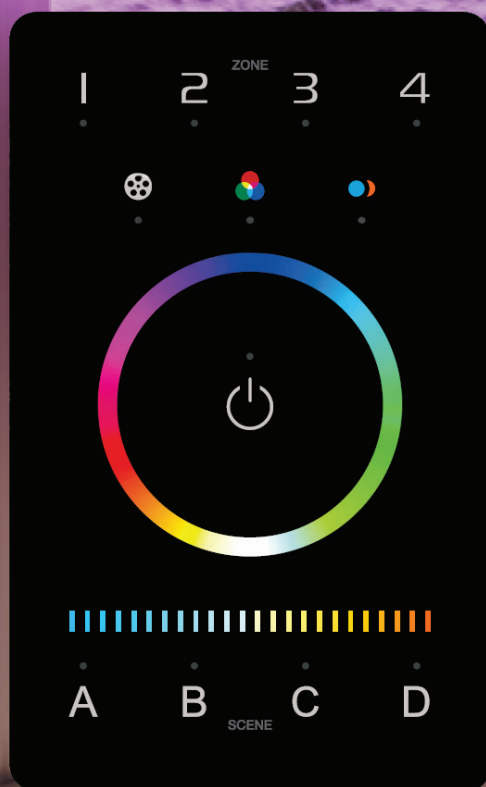


# UB5

In-Wall DMX Touch Screen Control



RGBWY 5-Channel Control



Integrating Bluetooth 5.0 SIG mesh protocol and DMX signals. A simple but elegant design with an aluminum frame and 2.5D tempered glass. The panel is suitable for multi-scene and multi-zone lighting control applications.

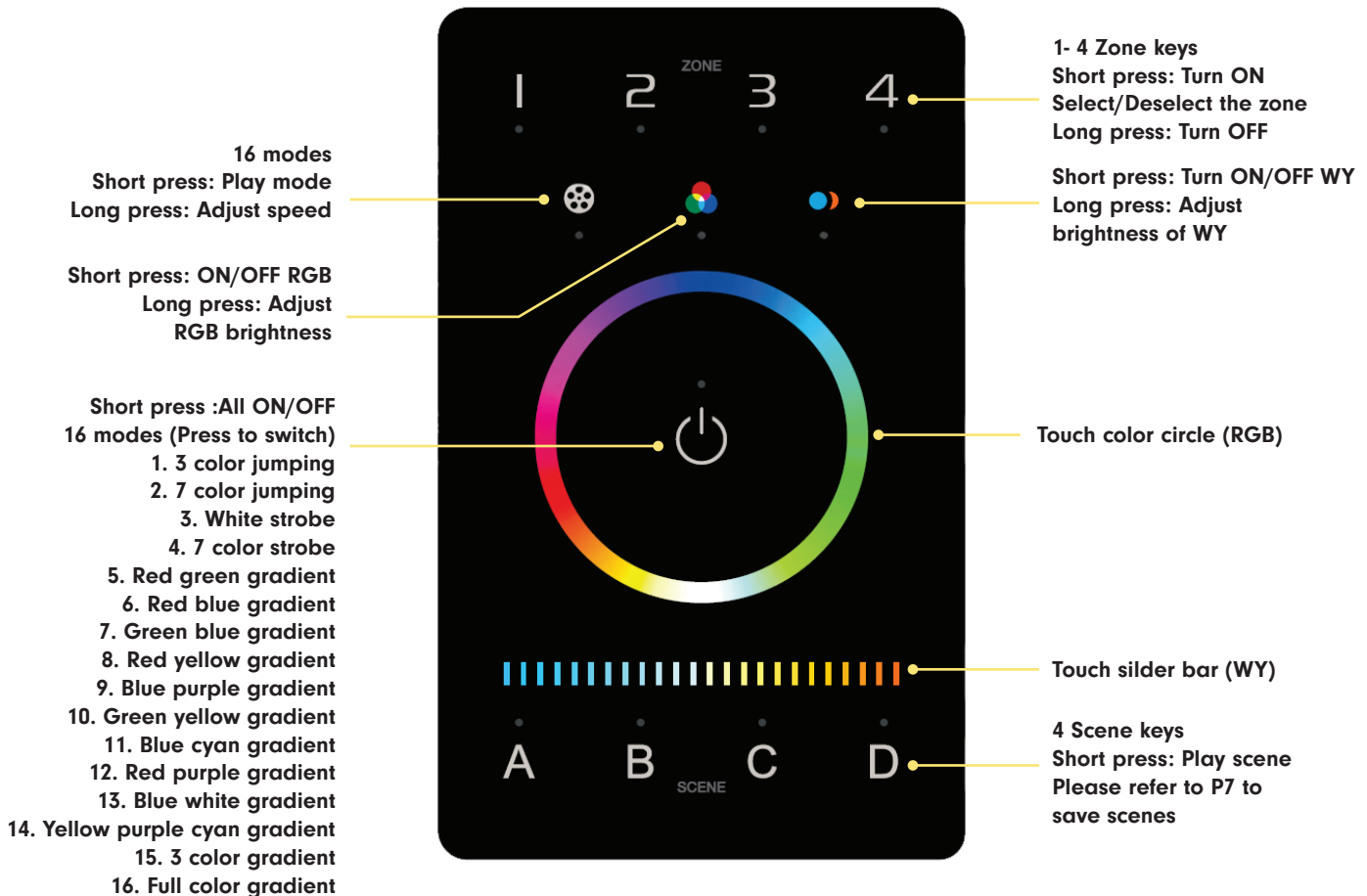
Project: \_\_\_\_\_

Type: \_\_\_\_\_

## Order Code

PRODUCT CODE	MODEL
<b>LTEC</b>	<b>UB5</b>
LTEC = LTECH In-Wall Control	UB5 = RGBWY 5-Channel

## Function



## Specification

Electrical	
Input Voltage	12V - 24V DC
Class Rating	Class 2
Control	
Wireless Protocol Type	Bluetooth 5.0 SIG Mesh
Protocol	DMX 512
Zones	4
Physical	
Working Temp	-4 ~ 131°F
Dimensions	4.72" x 2.95" x 1.18"
Weight	0.5 lbs.
Certification and Testing	
Certifications	cULus, CE, RoHS
Environment	Indoor
Warranty	5 Years

## DMX Channel Output

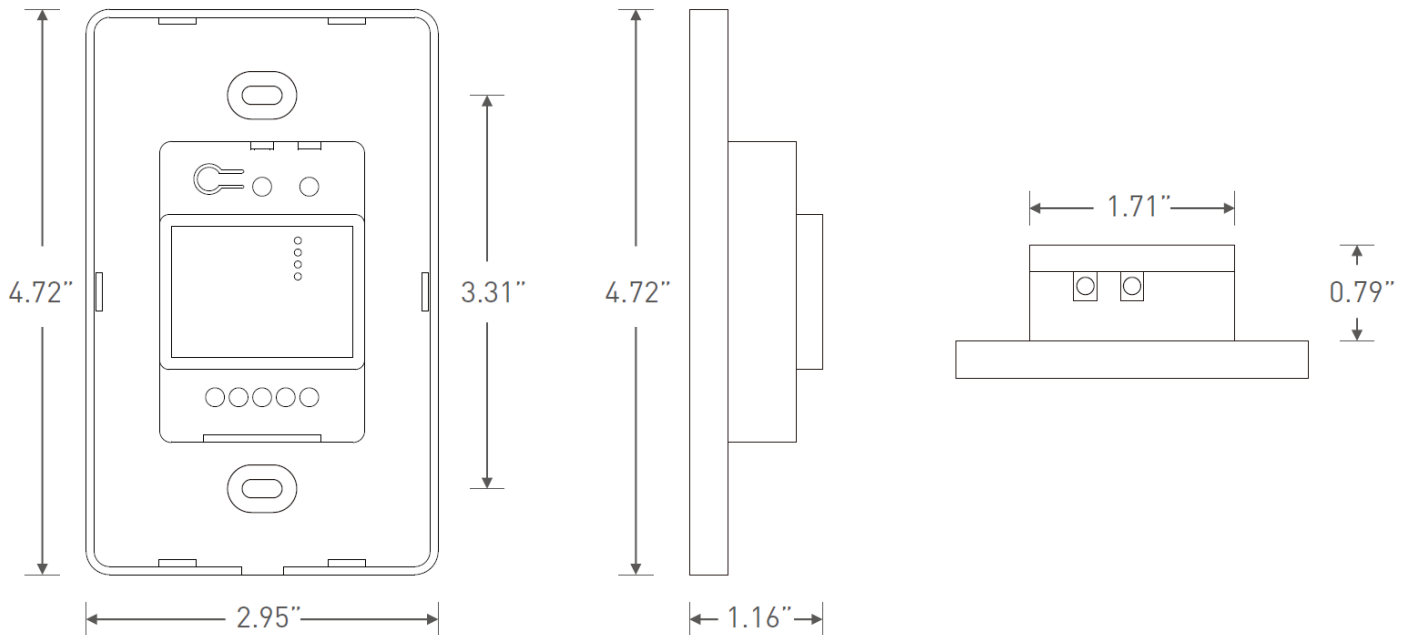
ADDRESS	ZONES
1	R1
2	G1
3	B1
4	W1
5	Y1
6	R2
7	G2
8	B2
9	W2
10	Y2
11	R3
12	G3
13	B3
14	W3
15	Y3

ADDRESS	ZONES
16	R4
17	G4
18	B4
19	W4
20	Y4
...	/
500	Y4
...	/
512	/

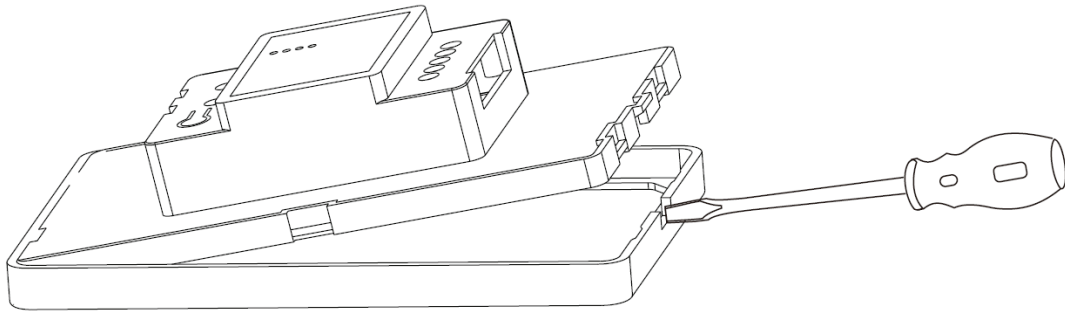
Note: As shown above every 20 RGBWY addresses are circulated in 4 zones.

## Dimension

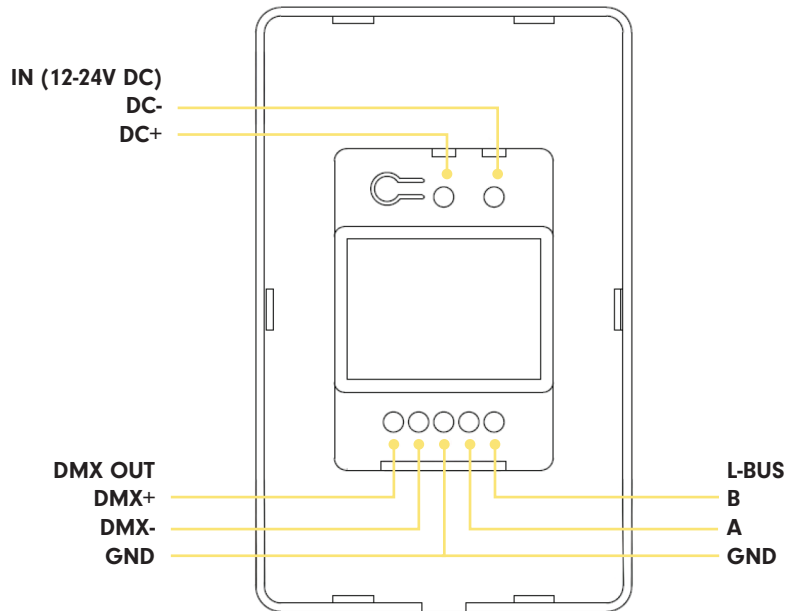


## Installation

Step 1: Remove the panel plate with a flathead screwdriver, as shown below.

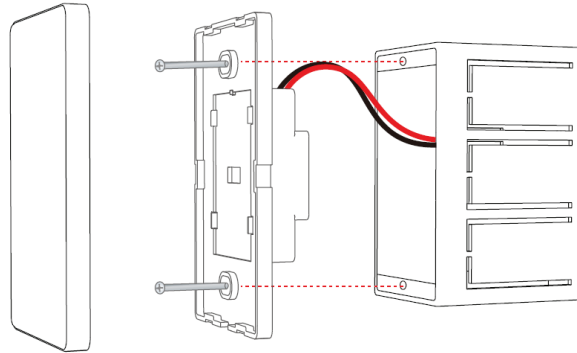


Step 2: Attach the wires to the panel, as shown in the diagram below. Please be sure to turn off the power to the circuit at the circuit breaker or fuse box before attaching the wires.

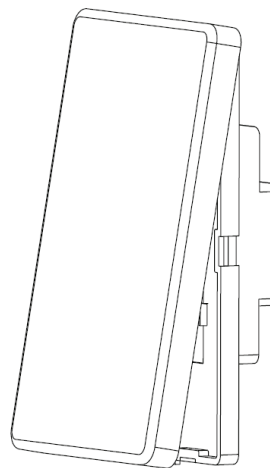


## Installation

Step 3: Install the panel plate. Once the wires are attached correctly, you can gently fold any excess wire and compress the panel into the junction box. Tighten the screws to secure the panel plate to the box.



Step 4: Put the panel cover in place. Gently snap the panel cover onto the plate.



- Please use in open space. Avoid metal obstructions above and in front of products.
- No disassembly of products so as not to affect the warranty.
- Please use in a cool and dry environment.
- Avoid direct contact with light and heat.
- Open, modify, repair or maintain products without authorization will void factory warranty

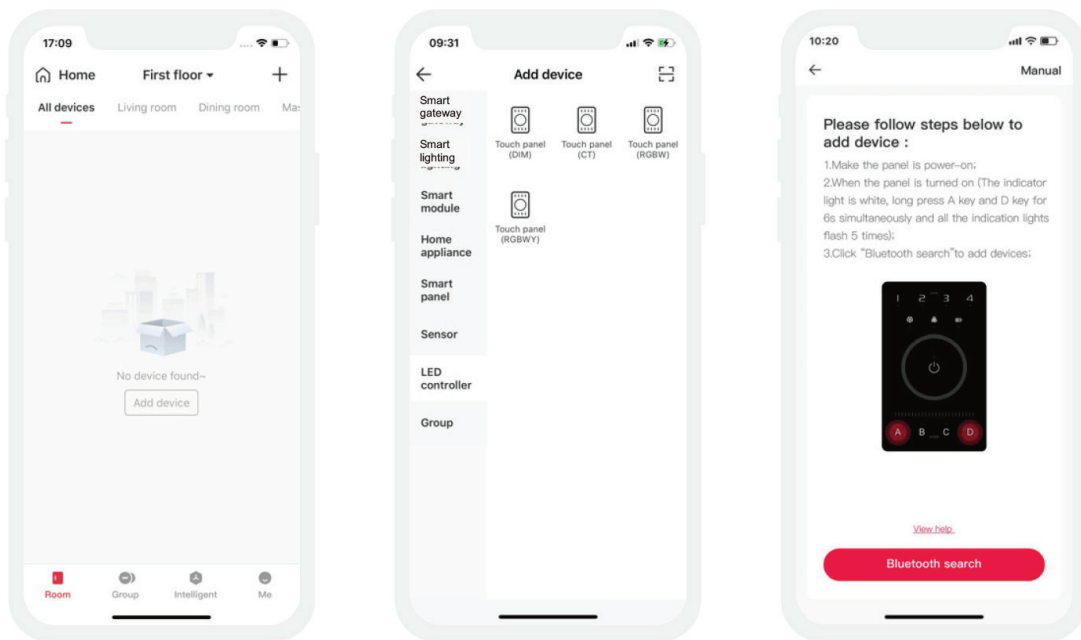
## App Set-Up

1. Register an account
  - 1.1 Scan the QR code below with your mobile phone and follow the prompts to complete the app installation.
  - 1.2 Open the App and log in or register an account.



## 2. Paring instructions

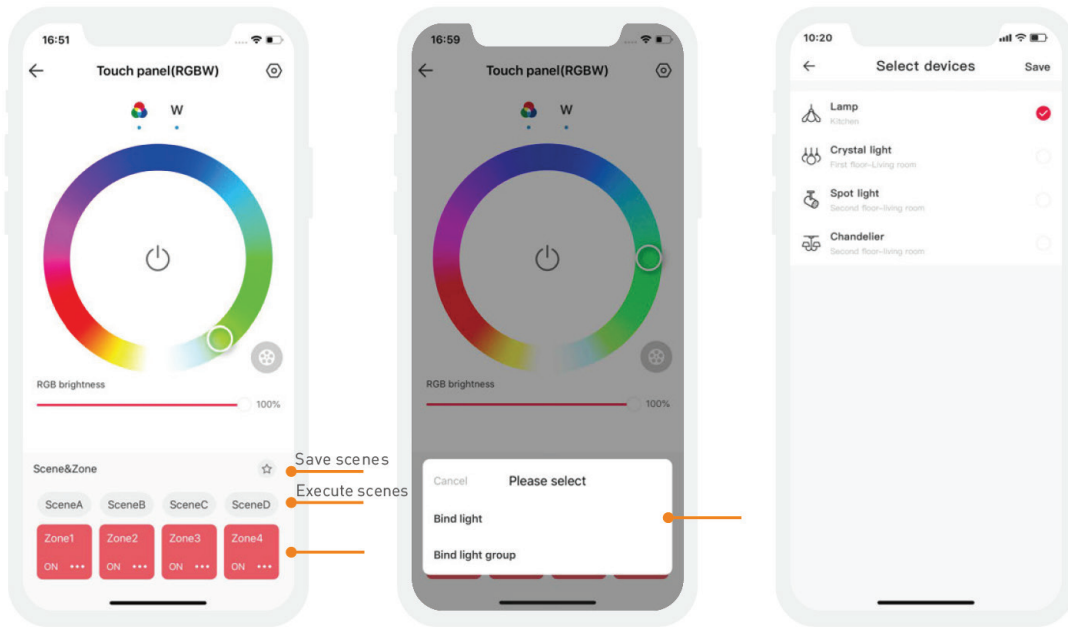
Create a home if you are a new user. Click “+” icon in the upper right corner and access the “Add Device” list. Follow the prompts to add a LED driver first, then pick “LED controller-Touch panel” in the device list. Follow the prompts to activate the device, then click “Bluetooth search” to add the device. How to reset the device to factory defaults: When the panel is powered on ( the indicator light is white ), long press “A” key and “D” key for 6s. If all the indicator lights of the panel flash several times, it means the device has been reset to factory defaults.



## App Set-Up

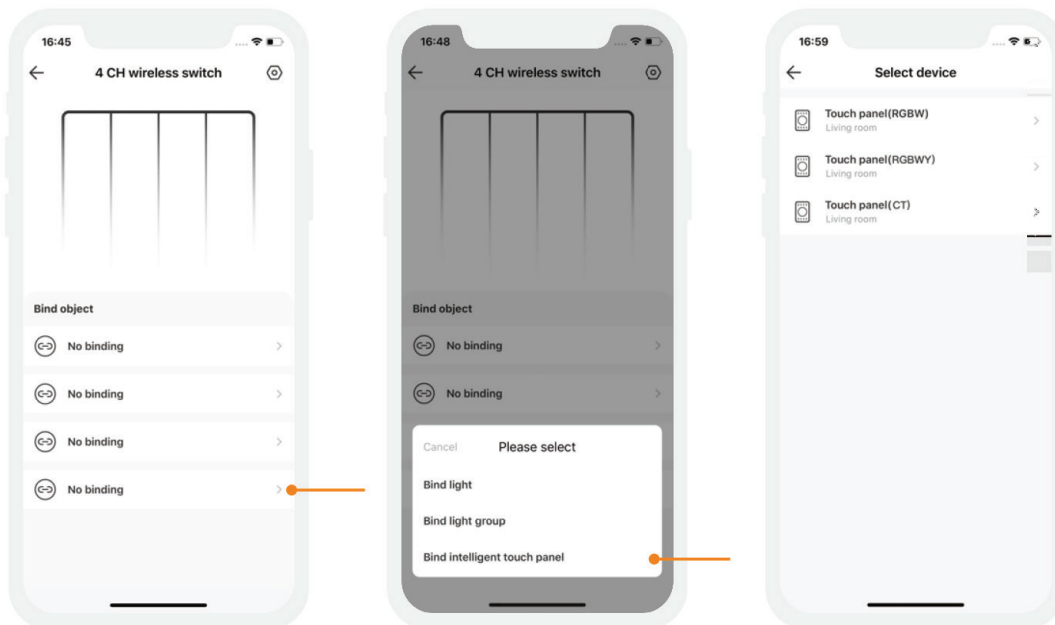
### 3. How to bind lights /light groups and save scenes

After pairing, get access to control interface and choose the button for the zone lighting you are going to edit. You can bind lights and light groups to the buttons. Local scenes: After adjusting the zone lighting to appropriate status, click "Save" and follow the prompts to save lighting status of the zone for the scene. After saving, click the corresponding scene button to execute the current local lighting scene (Supporting 16 scenes currently)



### 4. How to bind a bluetooth remote/bluetooth intelligent wireless switch

Please refer to the manual of a bluetooth remote / bluetooth intelligent wireless switch. After adding the device, access a control interface and bind the corresponding intelligent touch panels.

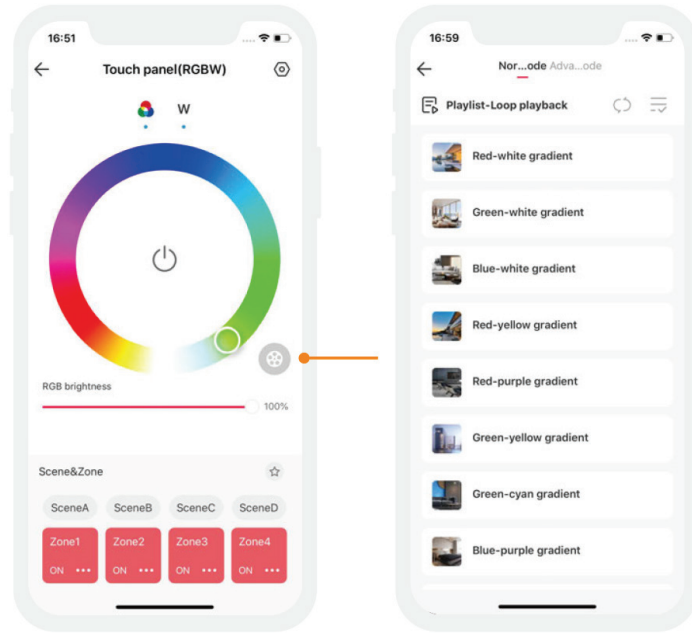


## App Set-Up

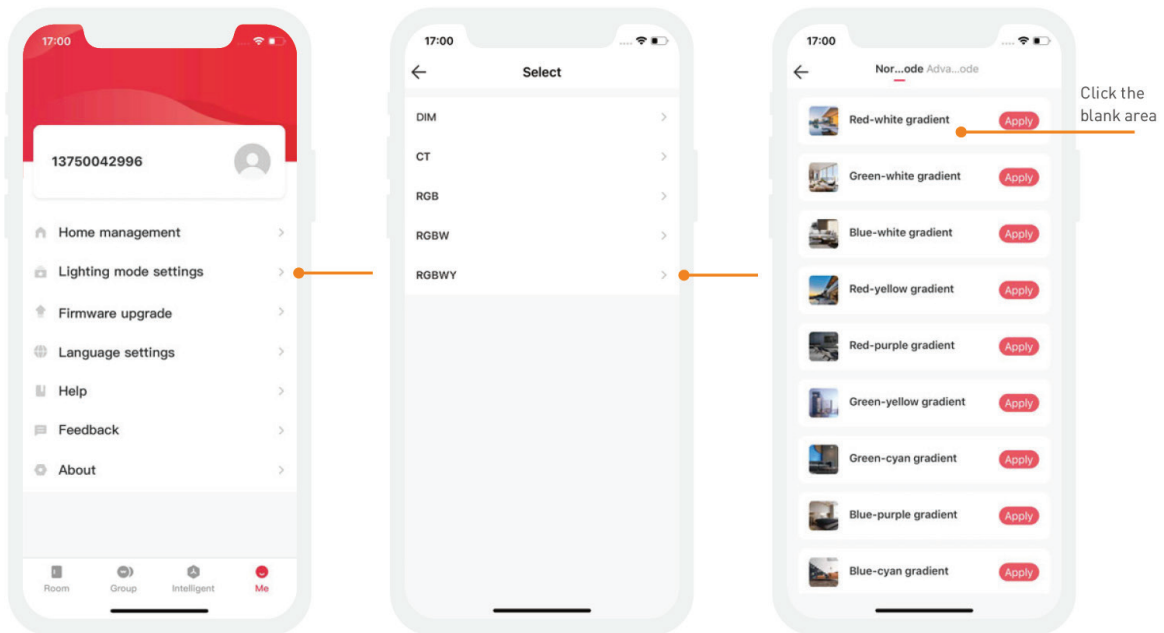
### 5. Normal modes and advanced modes

Normal modes: Click "Mode" icon and access the mode interface. Click the blank area of the mode and it can be executed. There are 12 editable normal modes in total which satisfy the general needs of customers (Currently, only RGBWY support normal modes).

Advanced modes: Click the blank area of the mode and it can be executed. There are 8 editable advanced modes in total which satisfy the general needs of customers.

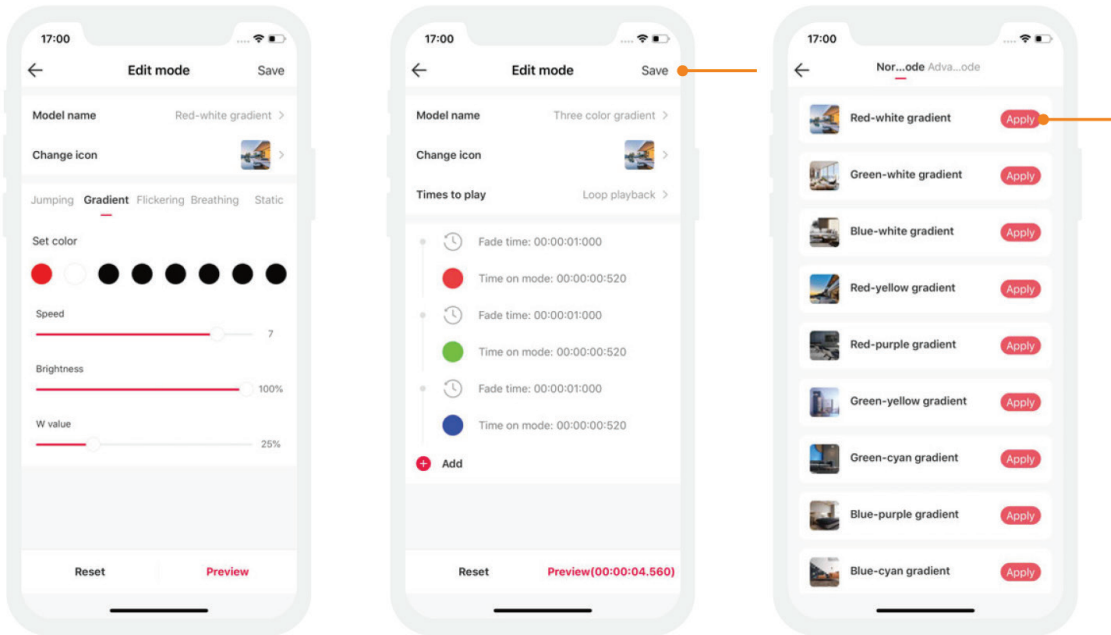


Edit modes: Switch to "Me" menu and click "Lighting mode settings". After selecting the light fixture type, click the blank area of mode to get access to the editable mode interface and edit it.



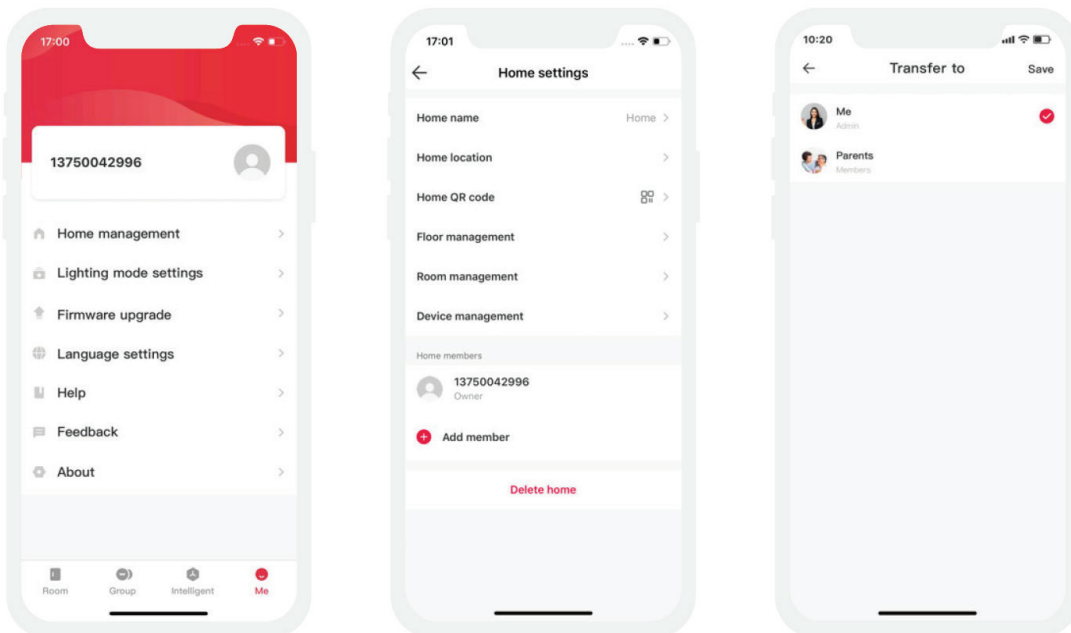
## App Set-Up

After complete editing, click “Apply” and the mode can be applied to the device.



### 6. How to share control of your home

The home sharing mode adopted are able to share the home or transfer the home founder to other home members. Switch to “Me” menu and choose “Home management”. Click the home that you want to share and click “Add member”, then follow the prompts to complete the home sharing .



## Warning

Changes or modifications to this unit not expressly approved by the party responsible for compliance could void the user's authority to operate the equipment. This device complies with Part 15 of the FCC Rules.

Operation is subject to the following two conditions:

- (1) This device may not cause harmful interference
- (2) this device must accept any interference received, including interference that may cause undesired operation.

Note: This equipment has been tested and found to comply with the limits for a Class B digital device, pursuant to part 15 of the FCC Rules. These limits are designed to provide reasonable protection against harmful interference in a residential installation. This equipment generates, uses and can radiate radio frequency energy and, if not installed and used in accordance with the instructions, may cause harmful interference to radio communications. However, there is no guarantee that interference will not occur in a particular installation. If this equipment does cause harmful interference to radio or television reception, which can be determined by turning the equipment off and on, the user is encouraged to try to correct the interference by one or more of the following measures:

- Reorient or relocate the receiving antenna.
- Increase the separation between the equipment and receiver.
- Connect the equipment into an outlet on a circuit different from that to which the receiver is connected.
- Consult the dealer or an experienced radio/TV technician for help.