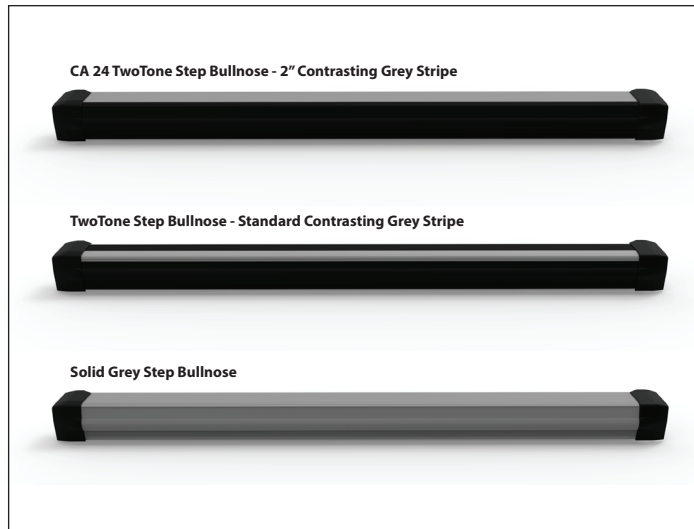


Two-Tone Bullnose Extrusion

CAT:	FEET:
------	-------

TYPE:	PROJECT:
-------	----------



Non-illuminated "foot-friendly" carpet bullnose with contrasting strip for use with 90° steps creates a safe, durable and highly visible auditorium and stadium step delineation. NEW 2" contrast strip meets Title 24 safety requirements.

The contrasting strip delineates the step edge with reflection from Beacon, Usher, Fantasma Seat or Wall Light systems, either individually or combined. Available in 12' field-cutttable lengths.

Matching field-cutttable wireway with contrasting grey stripe is available in 8' lengths. Soft-molded end caps complete the integrated system.

Mounting

Easy glue installation with recommended construction adhesives. New tack down tread secures nosing during adhesive cure period.

Applications

Required for 90° steps.

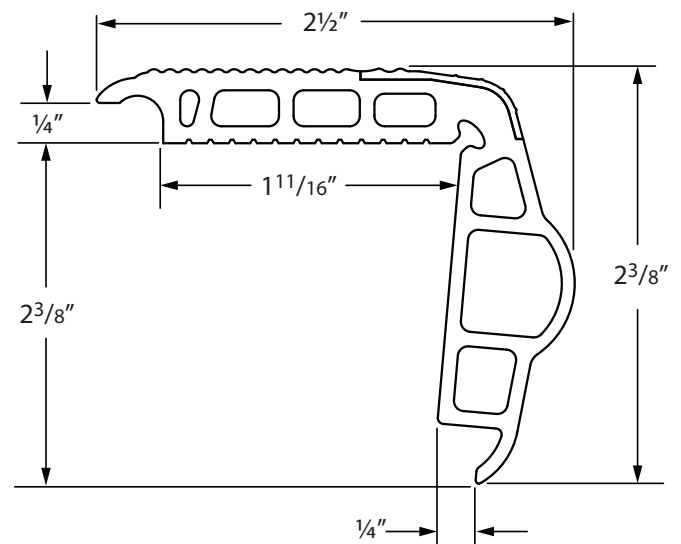
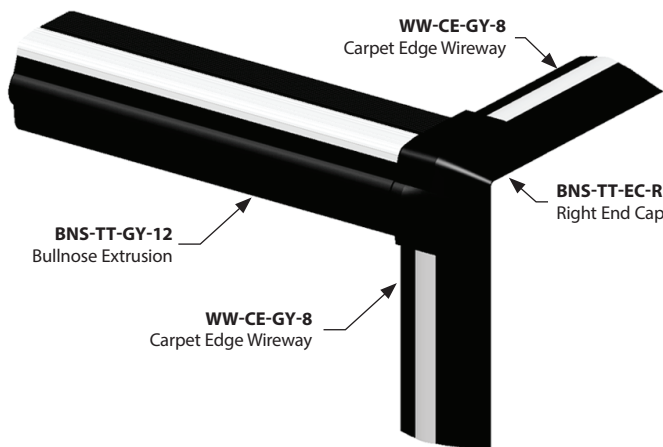
Warranty

5 years

Technical Information

Material	PVC
Ordering Increment	12'
Life Cycle Testing	No damage after 25,000 cycles performed with 120 lbs. applied

Profile Dimensions

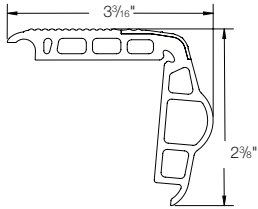


Ordering Information

PRODUCT CODE	SERIES	COLOR	LENGTH
BNS		GY	12
Two Tone Bullnose	TT = TwoTone TT2 = TwoTone Title 24 Compliant SC = Solid Color Grey	GY = Grey	12 = 12 ft

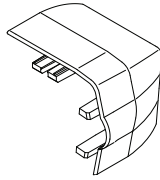
Two-Tone Bullnose Extrusion

Replacement Parts & Mounting Accessories



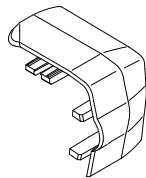
Bullnose Extrusion

- BNS-TT-GY-12**
TwoTone Bullnose, 12' length, Black/Gray Strip
- BNS-TT2-GY-12**
TwoTone Bullnose, 12' length, Black/2" Gray Strip
- BNS-SC-GY-12**
Bullnose, Solid Gray, 12' Length



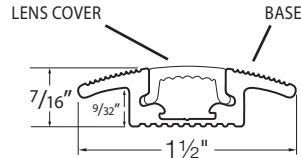
Bullnose End Caps

- BNS-TT-EC-L**
End Cap, Left Side Overlap Design, Black
- BNS-TT-EC-R**
End Cap, Right Side Overlap Design, Black



CC Bullnose End Caps (Carpet-To-Carpet)

- BNS-CC-TT-EC-L**
End Cap, Carpet-To-Carpet, Left Side, Black
- BNS-CC-TT-EC-R**
End Cap, Carpet-To-Carpet, Right, Black



CC & CW Wire Way Combo - Base & Lens

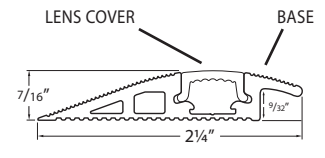
- WW-CC-BK-8**
Carpet to Carpet Base and Cover 8' - Black
- WW-CC-GY-8**
Carpet to Carpet Base and Cover 8' - Gray
- WW-CW-BK-8**
Carpet to Wall Base and Cover 8' - Black
- WW-CW-GY-8**
Carpet to Wall Base and Cover 8' - Gray

CC & CW Wire Way Base ONLY

- WW-CW-BS-8**
Base Only, Carpet to Wall, Black, 8'
- WW-CC-BS-8**
Base Only, Carpet to Carpet, Black, 8'

CC & CW Wire Way Lens ONLY

- WW-TC-CL-8**
Lens Cover Only, Clear, 8'
- WW-TC-BK-8**
Lens Cover Only, Black, 8'
- WW-TC-BZ-8**
Lens Cover Only, Bronze, 8'
- WW-TC-GY-8**
Lens Cover Only, Gray, 8'



CE Wire Way Combo - Base & Lens

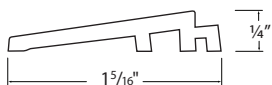
- WW-CE-BK-8**
Carpet to Edge Base and Cover 8' - Black
- WW-CE-GY-8**
Carpet to Edge Base and Cover 8' - Gray

CE Wire Way Base ONLY

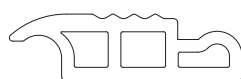
- WW-CE-BS-8**
Base Only, Carpet To Edge, Black, 8'

CE Wire Way Lens ONLY

- WW-TC-CL-8**
Lens Cover Only, Clear, 8'
- WW-TC-BK-8**
Lens Cover Only, Black, 8'
- WW-TC-BZ-8**
Lens Cover Only, Bronze, 8'
- WW-TC-GY-8**
Lens Cover Only, Gray, 8'



BNS-TT-R-12
Step Reducer, 12' Section



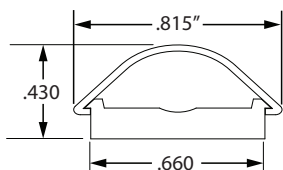
STP-EXTNDR-12
Bullnose Step Landing Tread Extender, 12'



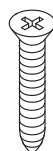
- ADH-MB-75AM-10**
Extrusion adhesive, 10.1 oz tubes, sold individually. 30 per case.
- ADH-MB-75AM-29**
Extrusion adhesive, 29 oz tubes, sold individually. 12 per case.



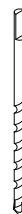
- ADH-IA-10.2-CA**
End Cap Adhesive, Clear liquid adhesive for end caps. 10.2 oz tubes sold individually. 12 per case.



BS-CC-8
Wall wireway, 8' Black Base & Conduit Cover



TM-3/16
Concrete Screw 3/16" x 1 3/4"



RONDB-5/32
Concrete Drill Bit 5/32"