



Features

- Switching electronic power supply
- Constant Voltage
- Universal input voltage: 100-277V AC
- Single and multiple 12V DC outputs
- NEMA 3R Rain-tight enclosure for wet locations
- 5 year warranty

Environmental

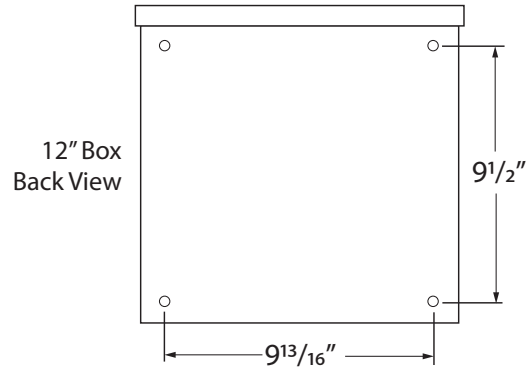
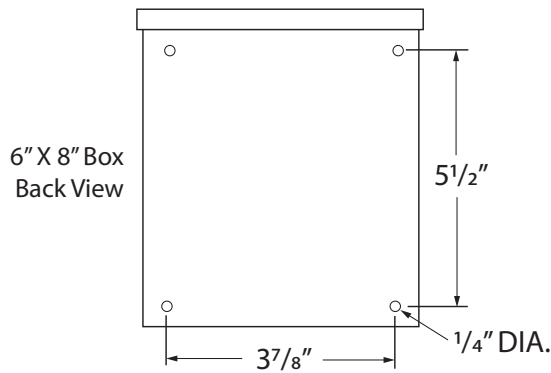
- MTBF: 100,000 hrs. at full load and 25°C
- Operating temperature: -40°C - +80°C (Full load)
- Storage temperature: -65°C - +90°C
- Heat dissipation: Convection

Mechanical Specification

- Steel enclosure
- Bracket mount and 1/2" knockouts for conduit and fittings
- NEMA 3 Rated

Electrical Data

- Secondary circuit maximum protection for Class 2 circuits: 5A for 12V DC
- Voltage regulated +/-3%
- Auto overload / short circuit / over voltage protection



Ordering Information



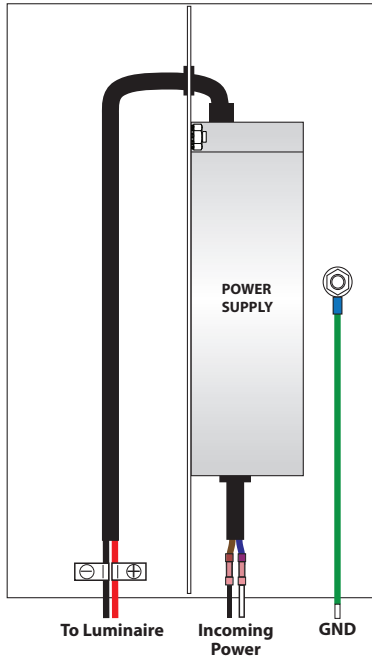
DESCRIPTION	CAT NO	APPLICATION	PRIMARY VOLTAGE	SECONDARY VOLTAGE	CIRCUIT BREAKERS	MAX LOAD	CIRCUIT CAPACITY	DIMENSION
ADNM Series Class 2 Transformer	ADNM-60-1-5-12-D	Indoor / Outdoor	100-277V AC 50/60 HZ	12V DC	1	60W	5A	6.00"W X 8.00" L X 4.00" D
	ADNM-80-1-5-12-D				1	80W	5A	12.00" W X 12.00" L X 4.00" D
	ADNM-150-2-5-12-D				2	2x60W	2x5A	
	ADNM-240-3-5-12-D				3	3x60W	3x5A	
	ADNM-320-4-5-12-D				4	4x60W	4x5A	

ADNM Series Wiring Diagrams

ADNM-60-1-5-12-D

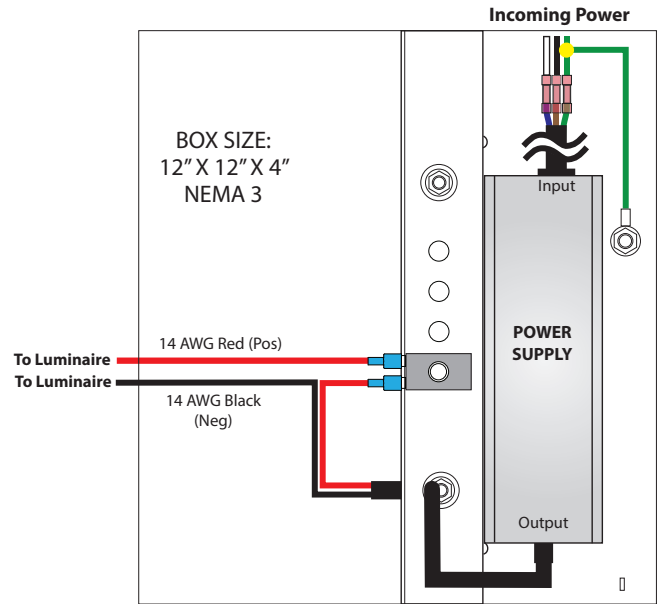
120-277V AC / 12V DC, 60W / 1 CIRCUIT X 5A

BOX SIZE:
6" X 8" X 4"
NEMA 3



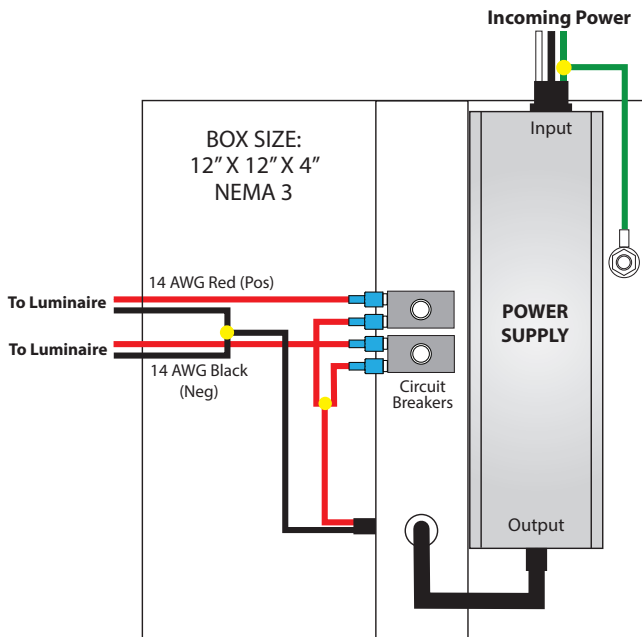
ADNM-80-1-5-12-D

120-277V AC / 12V DC, 60W / 1 CIRCUIT X 5A



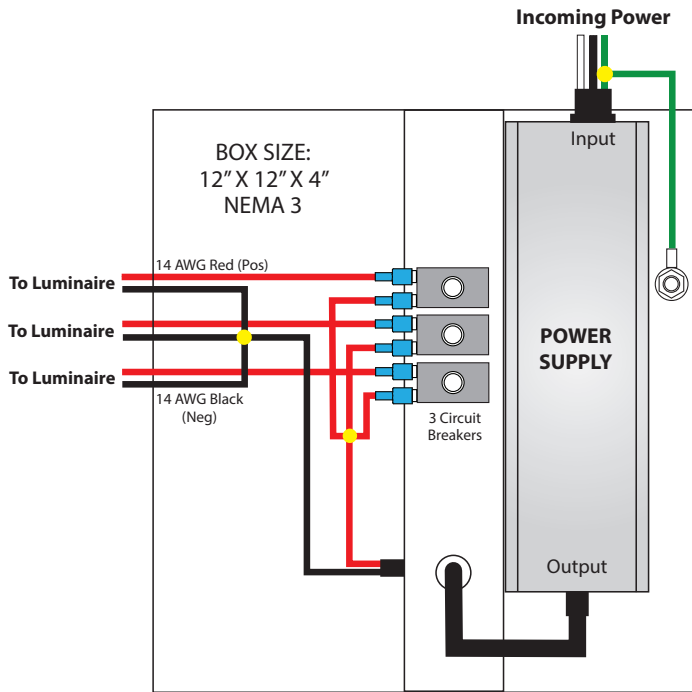
ADNM-150-2-5-12-D

120-277V AC / 12V DC, 120W / 2 CIRCUITS X 5A



ADNM Series Wiring Diagrams

ADNM-240-3-5-12-D
120-277V AC / 12V DC, 180W / 3 CIRCUITS X 5A



ADNM-320-4-5-12-D
120-277V AC / 12V DC, 240W / 4 CIRCUITS X 5A

