



Features

- Switching electronic power supply
- Constant Voltage
- Universal input voltage: 100-277V AC
- Single and multiple 24V DC outputs
- NEMA 3R Rain-tight enclosure for wet locations
- 5 year warranty

Environmental

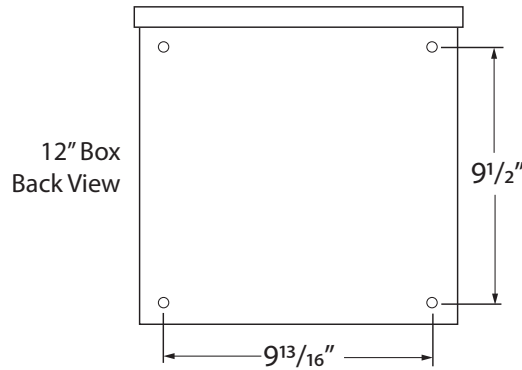
- MTBF: 100,000 hrs. at full load and 25°C
- Operating temperature: -40°C - +80°C (Full load)
- Storage temperature: -65°C - +90°C
- Heat dissipation: Convection

Mechanical Specification

- Steel enclosure
- Bracket mount and 1/2" knockouts for conduit and fittings
- NEMA 3 Rated

Electrical Data

- Secondary circuit maximum protection for Class 2 circuits: 4A for 24V DC
- Voltage regulated +/-3%
- Auto overload / short circuit / over voltage protection



Ordering Information



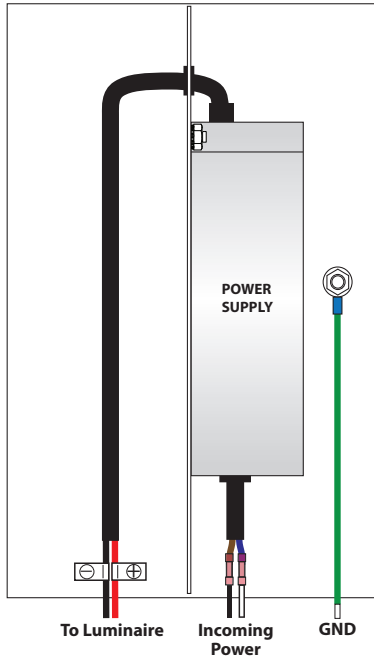
DESCRIPTION	CAT NO	APPLICATION	PRIMARY VOLTAGE	SECONDARY VOLTAGE	CIRCUIT BREAKERS	MAX LOAD	CIRCUIT CAPACITY	DIMENSION
ADNM Series Class 2 Transformer	ADNM-90-1-4-24-D	Indoor / Outdoor	100-277V AC 50% HZ	24V DC	1	90W	4A	12.00" W X 12.00" L X 4.00" D
	ADNM-120-1-4-24-D				1	96W	4A	
	ADNM-240-2-4-24-D				2	2x96W	2x4A	
	ADNM-320-3-4-24-D				3	3x96W	3x4A	

ADNM Series Wiring Diagrams

ADNM-90-1-4-24-D

120-277V AC / 24V DC, 90W / 1 CIRCUIT X 4A

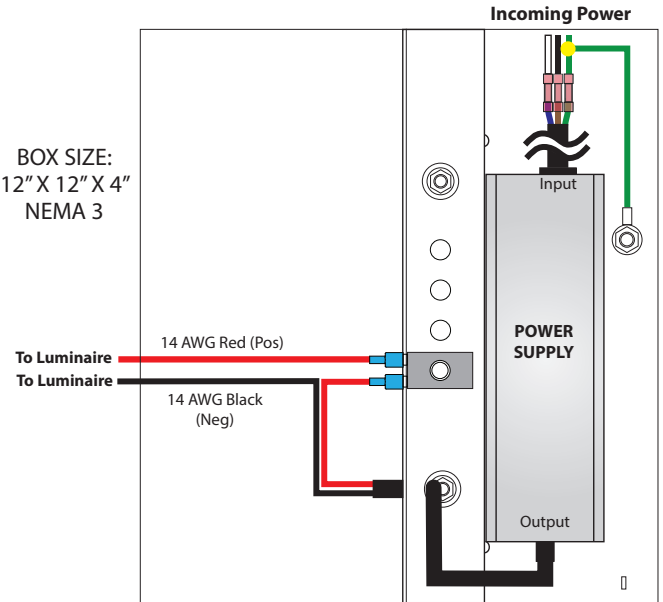
BOX SIZE:
6" X 8" X 4"
NEMA 3



ADNM-120-1-4-24-D

120-277V AC / 24V DC, 96W / 1 CIRCUIT X 4A

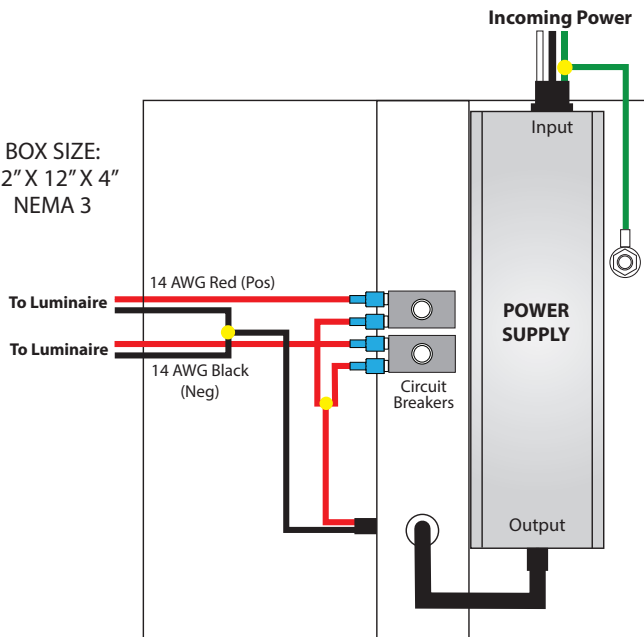
BOX SIZE:
12" X 12" X 4"
NEMA 3



ADNM-240-2-4-24-D

120-277V AC / 24V DC, 192W / 2 CIRCUITS X 4A

BOX SIZE:
12" X 12" X 4"
NEMA 3



ADNM-320-3-4-24-D

120-277V AC / 24V DC, 288W / 3 CIRCUITS X 4A

BOX SIZE:
12" X 12" X 4"
NEMA 3

