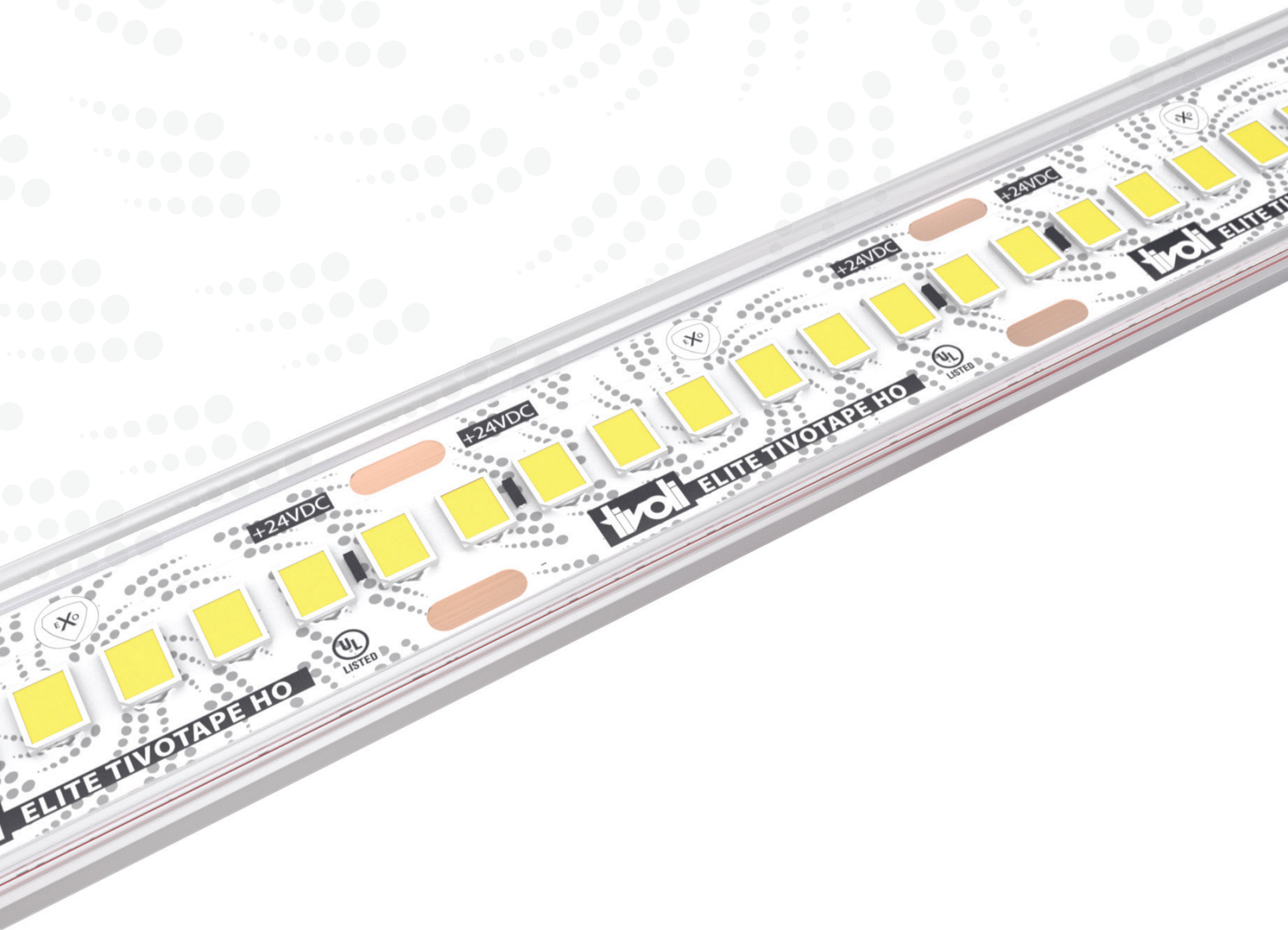




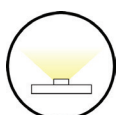
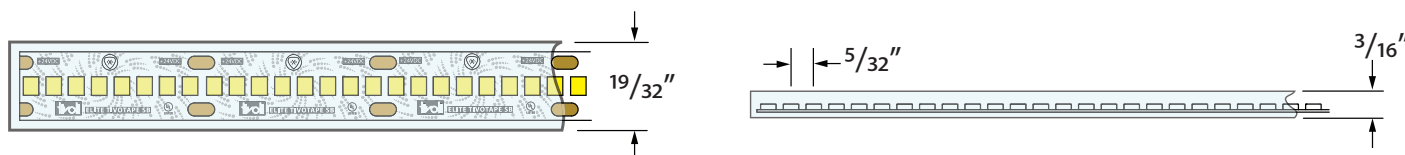
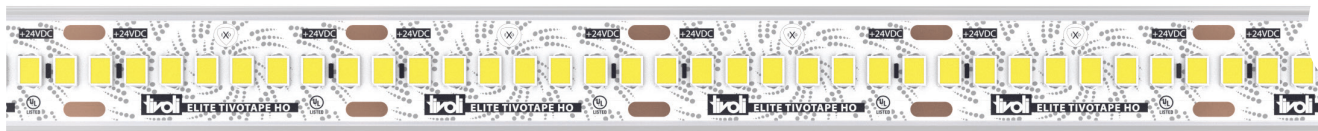
# ELITE

ZERO DROP TECHNOLOGY



HO Outdoor ELITE TivoTape™

## HIGH OUTPUT (HO)



4.5 W/ft  
478LM/ft



4oz. Trace



High Efficacy



97 CRI



Compliant



VHB Adhesive



Silicone Jacket



2200K



2400K



2700K



3000K



3500K



4000K



5000K

## Ordering Information



PRODUCT CODE	INTENSITY	INSTALL	LED COLOR	VOLTAGE
TPLE	HO	O		24

**TPLE** = TivoTape ELITE    
 **HO** = High Output    
 **O** = Outdoor    
 **22** = 2200K    
 **24** = 2400K    
 **27** = 2700K    
 **30** = \*3000K    
 **35** = 3500K    
 **40** = 4000K    
 **50** = 5000K



### TivoTape Run Lengths & End Preps

Please specify length of run with quantity of run(s) and end prep type at time of ordering.  
Note: Only (1) end prep needed for each run (see page 19)

\*This product is in compliance with the California Energy Code Title 24 JA8-2016 in 3000K and only when incorporating a specific power supply.

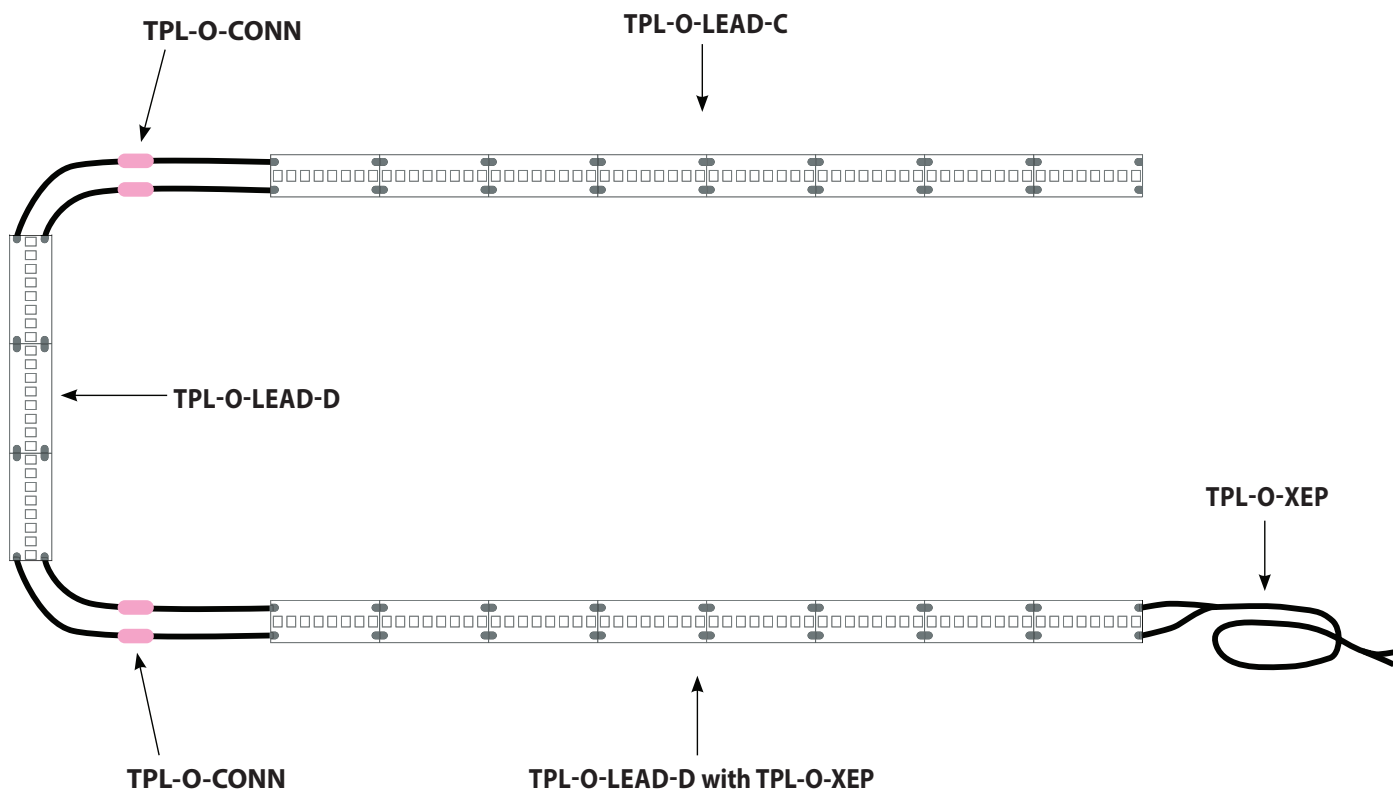
**HO Data**

Electrical & Photometric Data (Based on 3000K)							
Input Voltage	24V DC						
Dimming Option	MLV/ELV/0-10V/DMX						
Power Supply	Class 2						
Wire Size (End Prep)	18 AWG, 2 wire						
Power Consumption	4.5 W/ft.						
Color Temperature (CCT)	2200K	2400K	2700K	3000K	3500K	4000K	5000K
Lumen Output	423	447	470	478	484	504	511
Efficacy	94	99	105	106	107	112	113
Color Rendering Index (CRI)	99	97	97	97	94	93	90
R9	92						
TM-30-15 Fidelity Index ( $R_f$ )	93						
TM-30-15 Gamut Index ( $R_g$ )	103						

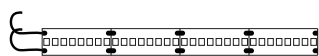
Physical	
LED Package	2835
LEDs/ft	73
Operating Temperature	-40°F (-40°C) ~ +140°F (+60°C)
Environment	IP67 Wet Location
Maximum Run Length	20'
Maximum Run Length w/ JA8 Compliant Power Supply	17'
Copper Trace	4 Ounce
Adhesive	3M VHB Tape
Dimension	19/32" (15mm)

Performance	
Certification	UL Listed
Lumen Maintenance (L70) Hours	60,000
Binning Tolerance	1.5 Step MacAdam Elipse
Warranty	3 Years

Power Leads and Jumpers (Installed by Tivoli's certified solderers)

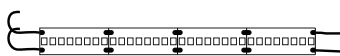


Power Leads and Jumpers **Must Be Specified For Each Run At Time Of Ordering.**



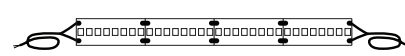
**TPL-O-LEAD-C**

LEAD END  
24" standard 2 conductor 18AWG lead wire  
factory attached to one end of tape.



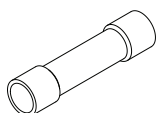
**TPL-O-LEAD-D**

LEAD/LEAD  
24" standard 2 conductor 18AWG lead wire  
factory attached to both ends of tape.



**TPL-O-XEP**

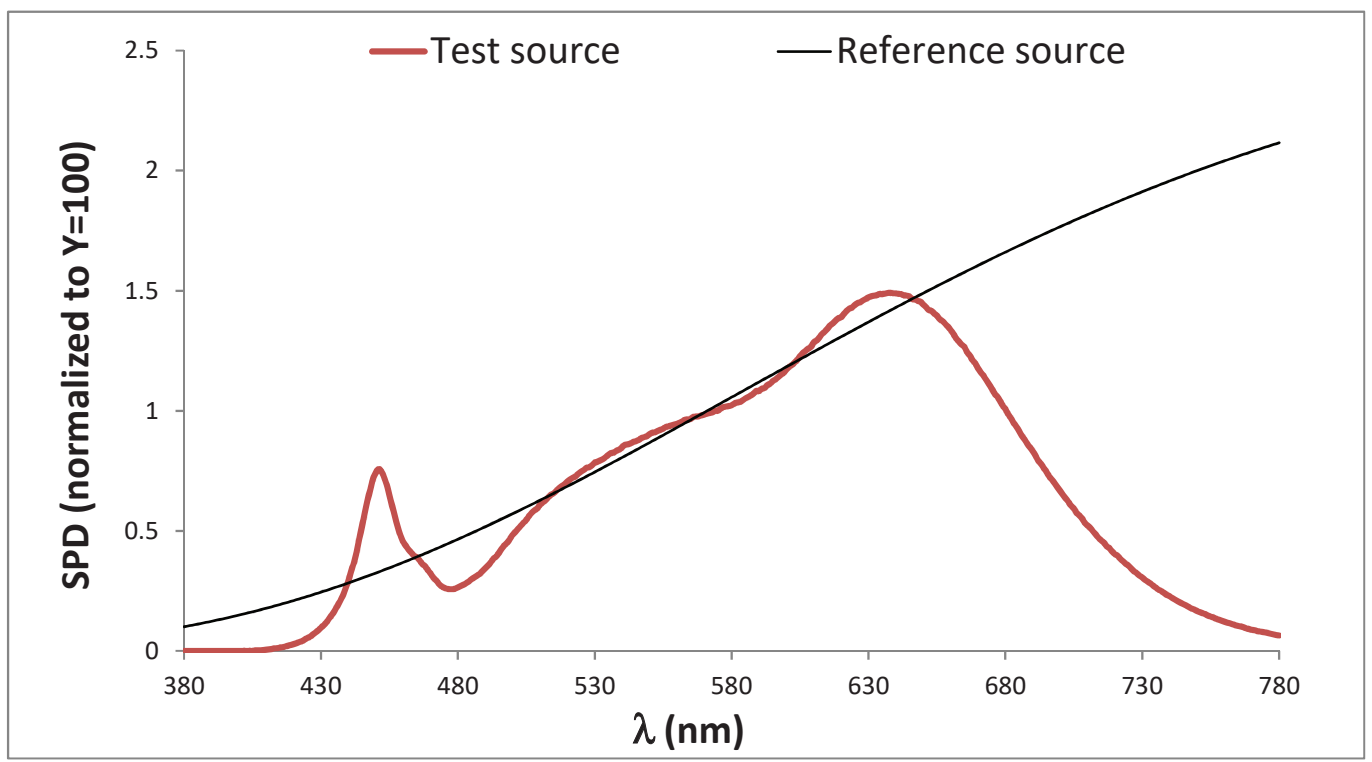
EXTRA LEAD WIRE  
Additional factory attached 18AWG lead wire to  
extend lengths of LEAD-C and LEAD-D up to 20  
ft max. Sold per foot (not shipped as spooled  
wire).



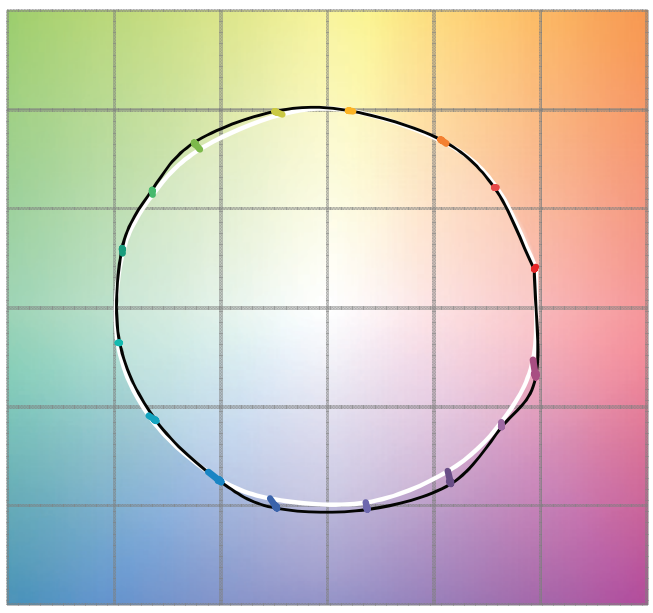
**TPL-O-CONN**

18-22AWG BUTT CONNECTORS  
Used to interconnect factory attached lead wires. Sold individually.  
(2 ea required per connection).

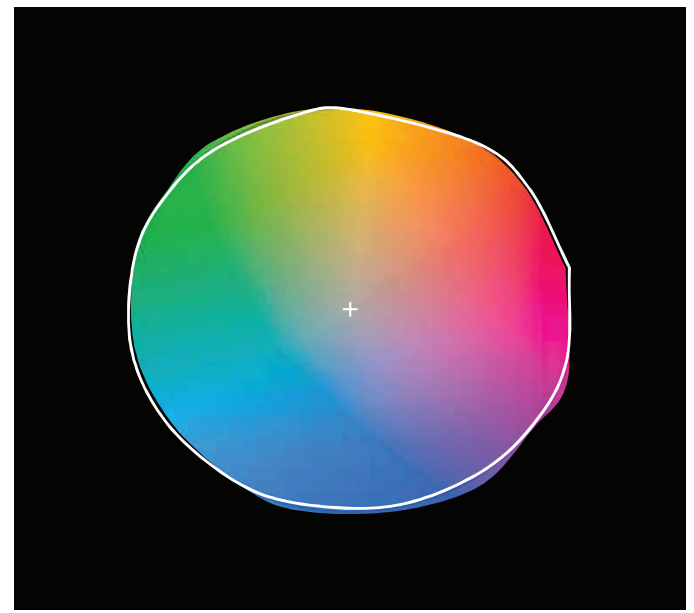
HO IESNA TM-30-15



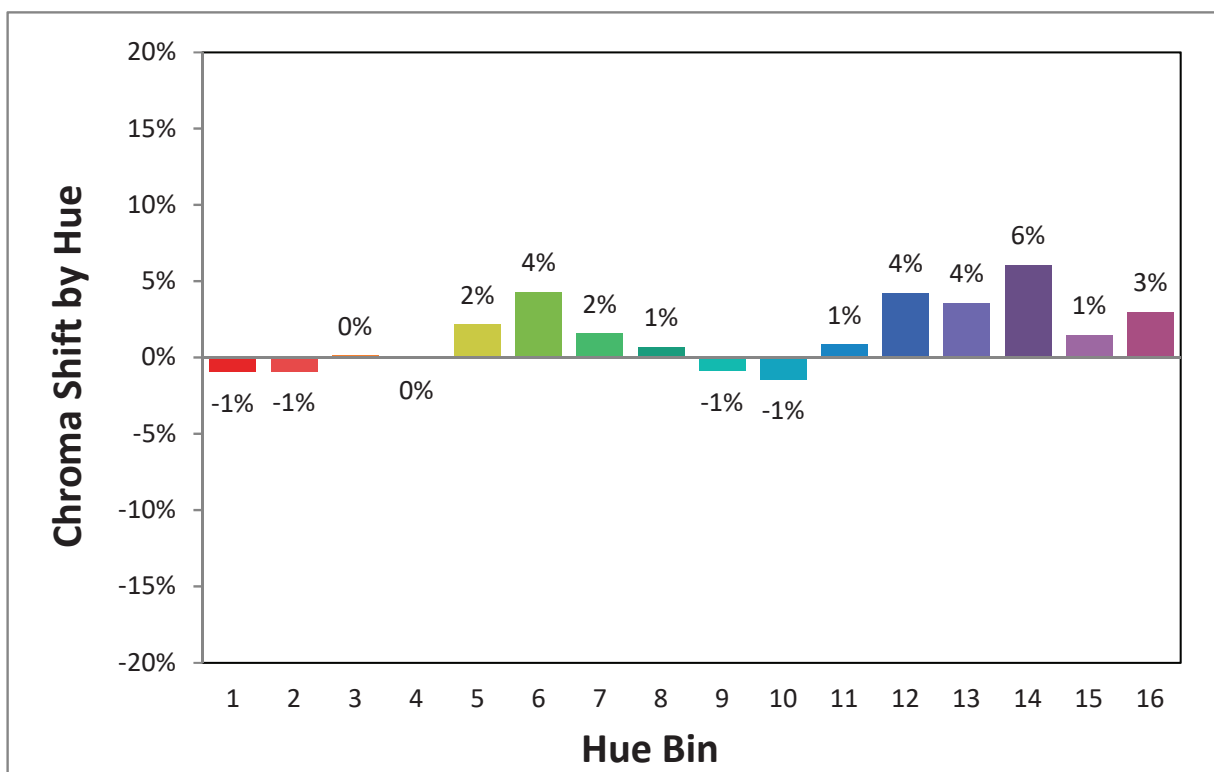
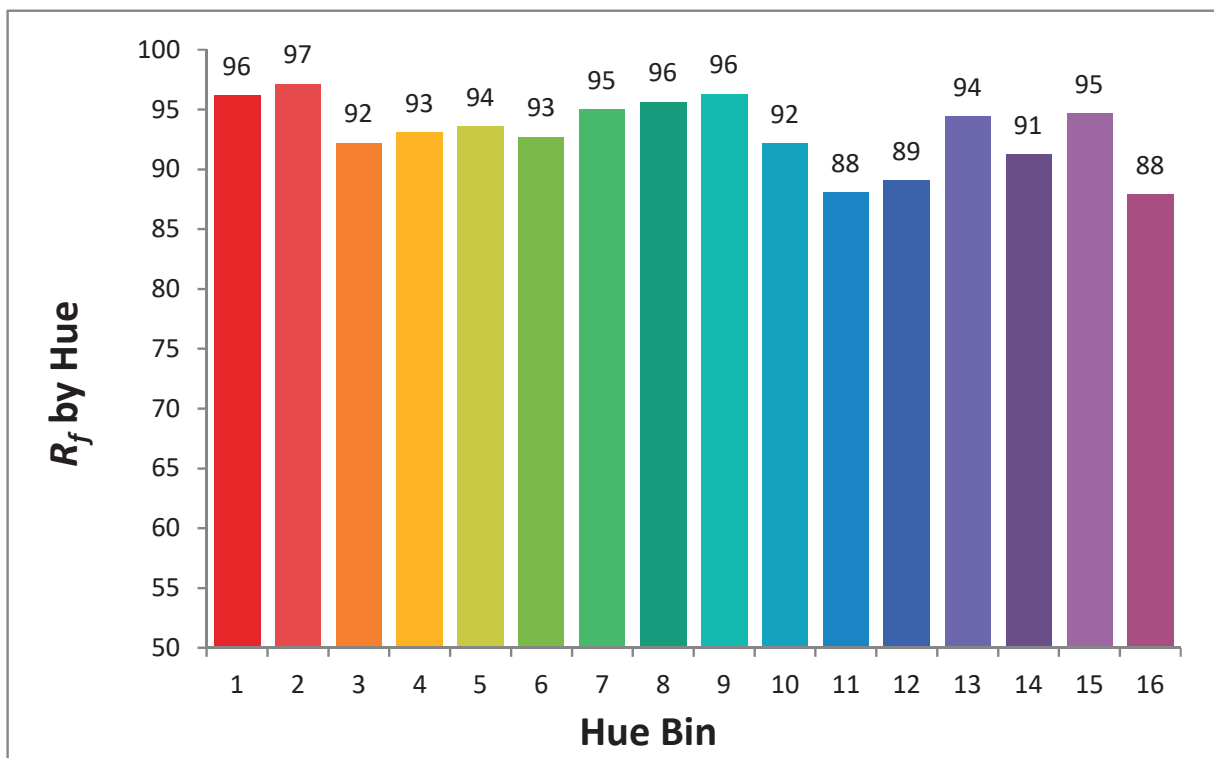
Color Vector Graphic



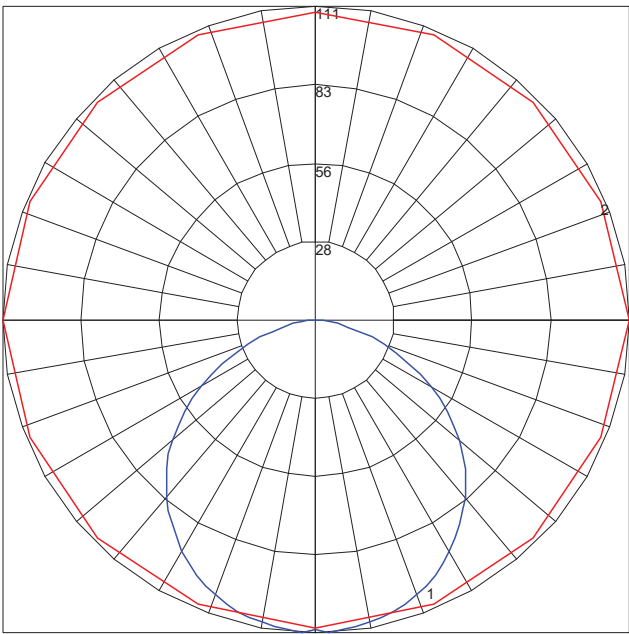
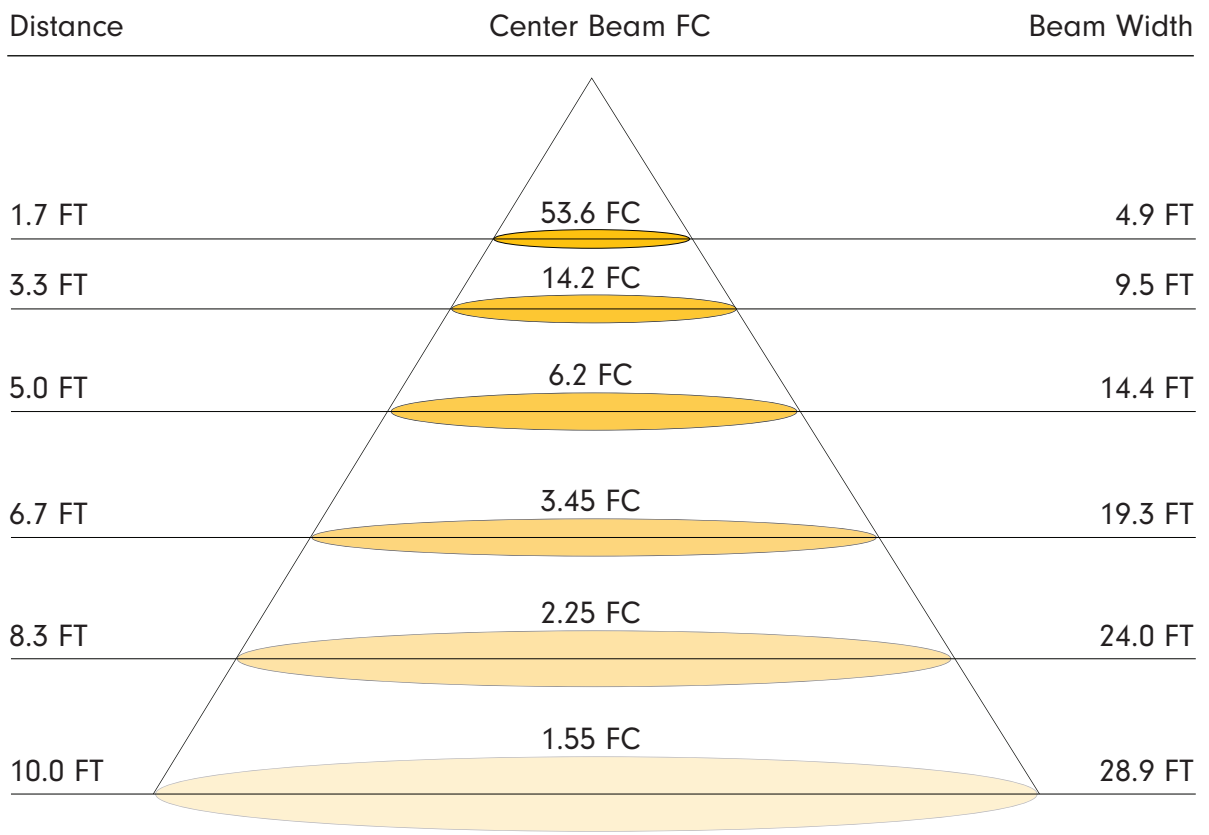
Color Distortion Graphic



HO IESNA TM-30-15



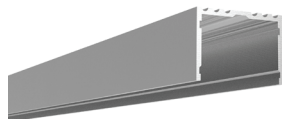
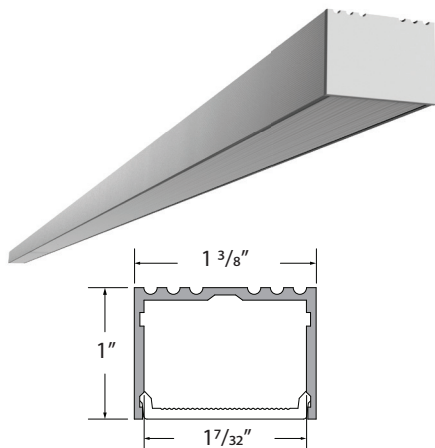
**HO** Photometric Data (Based on 3000K / 1' strip)



Maximum Candela = 156.5  
 Located At Horizontal Angle = 0  
 Vertical Angle = 2.5  
 #1 Vertical Plane Through Horizontal Angles (0-180) (Through Max. Cd.)  
 #2 Vertical Cone Through Vertical Angle (2.5) (Through Max. Cd.)

## Mounting Channel

### ALTON



**ALTN-CHAN-SLV-6.5**  
Anodized Aluminum Extrusion,  
available in 6.5' lengths



**ALTN-LNS-OPL-6.5**  
Lens, opal, length 6.5'



**ALTN-LNS-CLR-6.5**  
Lens, clear, length 6.5'



**ALTN-LNS-DIF-6.5**  
Lens, diffuser, length 6.5'

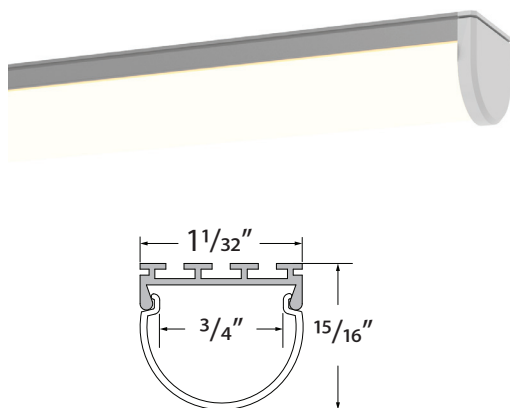


**ALTN-EC-01**  
Solid End Cap



**ALTN-EC-02**  
Powerfeed End Cap

### DOME



**DOME-CHAN-SLV-6.5**  
Anodized Aluminum Extrusion,  
available in 6.5' lengths



**DOME-LNS-OP-6.5**  
Lens, opal, length 6.5'

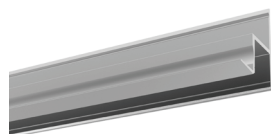
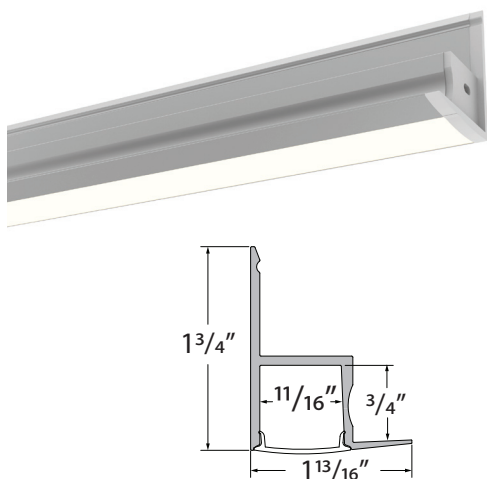


**DOME-EC-01**  
Solid End Cap



**DOME-EC-02**  
Power feed End Cap

### EDGE



**EDGE-CHAN-SLV-6.5**  
Anodized Aluminum Extrusion,  
available in 6.5' lengths



**EDGE-LNS-OP-6.5**  
Lens, opal, length 6.5'



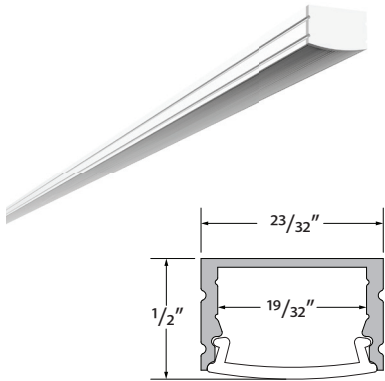
**EDGE-EC-01**  
Solid End Cap



**EDGE-EC-02**  
Powerfeed End Cap



**MOFETT**



**MOFT-CHAN-SLV-6.5**  
Anodized Aluminum Extrusion,  
available in 6.5' lengths



**MOFT-LNS-OPL-6.5**  
Lens, opal, length 6.5'



**MOFT-LNS-CLR-6.5**  
Lens, clear, length 6.5'



**MOFT-LNS-DIF-6.5**  
Lens, diffuser, length 6.5'



**MOFT-EC-01**  
Solid End Cap

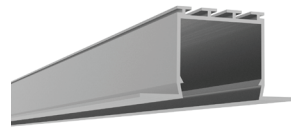
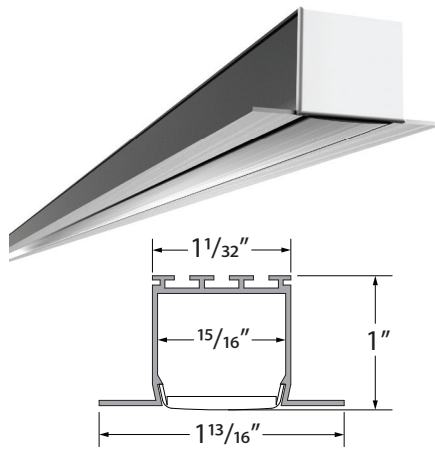


**MOFT-EC-02**  
Powerfeed End Cap



**MOFT-CLP-SLV**  
Clip, Metal

**NOYES**



**NOYS-CHAN-SLV-6.5**  
Anodized Aluminum Extrusion,  
available in 6.5' lengths



**NOYS-LNS-OPL-6.5**  
Lens, opal, length 6.5'



**NOYS-LNS-CLR-6.5**  
Lens, clear, length 6.5'



**NOYS-LNS-DIF-6.5**  
Lens, diffuser, length 6.5'



**NOYS-EC-01**  
Solid End Cap

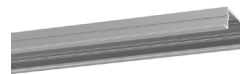
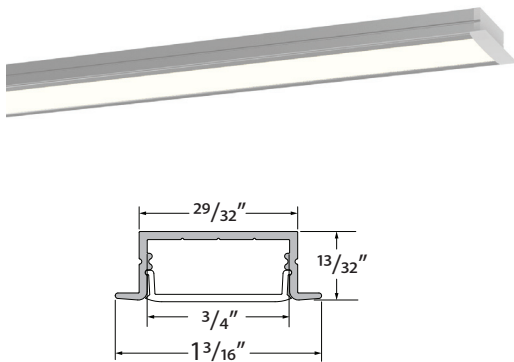


**NOYS-EC-02**  
Powerfeed End Cap



**NOYS-SPRING-CLP**  
Clip, Spring, Metal

**WARNER**



**WRNR-CHAN-SLV-6.5**  
Anodized Aluminum Extrusion,  
available in 6.5' lengths



**WRNR-LNS-OP-6.5**  
Lens, opal, length 6.5'



**WRNR-EC-01**  
Solid End Cap



**WRNR-EC-02**  
Power feed End Cap



**WRNR-MTBK**  
Mounting Clip

## Recommended Power Supplies

### ADNM - NON DIMMING

DESCRIPTION	CAT NO	APPLICATION	PRIMARY VOLTAGE	SECONDARY VOLTAGE	CIRCUIT BREAKERS	MAX LOAD	CIRCUIT CAPACITY
ADNM Series Class 2 Transformer	ADNM-90-1-4-24-D	Indoor / Outdoor	100-277V AC 50/60 HZ	24V DC	1	90W	3.75A
	ADNM-120-1-4-24-D				1	96W	4A
	ADNM-240-2-4-24-D				2	2x96W	2x4A
	ADNM-320-3-4-24-D				3	3x96W	3x4A

### ADNM - 0-10V DIMMING

DESCRIPTION	CAT NO	APPLICATION	PRIMARY VOLTAGE	SECONDARY VOLTAGE	CIRCUIT BREAKERS	MAX LOAD	CIRCUIT CAPACITY
ADNM Series Class 2 Transformer	ADNM-90-1-4-24-DOT	Indoor / Outdoor	100-277V AC 50/60 HZ	24V DC	1	90W	3.75A
	ADNM-120-1-4-24-DOT				1	96W	4A
	ADNM-240-2-4-24-DOT				2	2x96W	2x4A
	ADNM-320-3-4-24-DOT				3	3x96W	3x4A

### ADNM - DMX SINGLE ADDRESS

DESCRIPTION	CAT NO	APPLICATION	PRIMARY VOLTAGE	SECONDARY VOLTAGE	CIRCUIT BREAKERS	MAX LOAD	CIRCUIT CAPACITY
ADNM Series Class 2 Transformer	ADNM-90-1-4-24-DIN	Indoor / Outdoor	100-277V AC 50/60 HZ	24V DC	1	90W	3.75A
	ADNM-120-1-4-24-DIN				1	96W	4A
	ADNM-240-2-4-24-DIN				2	2x96W	2x4A
	ADNM-320-3-4-24-DIN				3	3x96W	3x4A

### ADNM - DMX MULTI ADDRESS

DESCRIPTION	CAT NO	APPLICATION	PRIMARY VOLTAGE	SECONDARY VOLTAGE	CIRCUIT BREAKERS	MAX LOAD	CIRCUIT CAPACITY
ADNM Series Class 2 Transformer	ADNM-240-2-4-24-DIN-2	Indoor / Outdoor	100-277V AC 50/60 Hz	24V DC	2	2x96W	2x4A
	ADNM-320-3-4-24-DIN-3				3	3x96W	3x4A

### ADNM - DMX/DALI FLICKER-FREE FOR TV STUDIO

DESCRIPTION	CAT NO	APPLICATION	PRIMARY VOLTAGE	SECONDARY VOLTAGE	CIRCUIT BREAKERS	MAX LOAD	CIRCUIT CAPACITY
ADNM Series Class 2 Transformer	ADNM-120-1-4-24-DTV	Indoor / Outdoor	100-277V AC 50/60 HZ	24V DC	1	1x96W	1x4A
	ADNM-240-2-4-24-DTV				2	2x96W	2x4A
	ADNM-320-3-4-24-DTV				3	3x96W	3x4A

## Recommended Power Supplies

### ER - JA8 W/ELITE 3000K

DESCRIPTION	CAT NO	APPLICATION	PRIMARY VOLTAGE	SECONDARY VOLTAGE	CIRCUIT BREAKERS	MAX LOAD	CIRCUIT CAPACITY
ER Series Class 2 Driver	ER-80-1.3.3-24-D	Indoor / Outdoor	100-277V AC 50/60 Hz	24V DC	1	80W	3.3A
ER Series Class 2 0-10V Dimming	ERG-80-24-DIM1-10						

### INFINITY - MLV / ELV / 0-10V / PWM / TRIAC

DESCRIPTION	CAT NO	APPLICATION	PRIMARY VOLTAGE	SECONDARY VOLTAGE	CIRCUIT BREAKERS	MAX LOAD	MIN LOAD	CIRCUIT CAPACITY
Infinity Series Class 2 Transformer	INF-J-30-1-1.3-24	Indoor / Outdoor	100 - 277V AC	24V DC	1	30W	3W	1.3A
	INF-J-60-1-2.5-24				1	60W	6W	2.5A
	INF-J-96-1-4-24				1	96W	9W	4A
	INF-J-192-2-4-24				2	2x96W	2x9W	2x4A
	INF-J-288-3-4-24				3	3x96W	3X9W	3x4A

## Recommended Dimmers

### DIMMING - 0-10V

DESCRIPTION	CAT NO	APPLICATION	INPUT VOLTAGE	OUTPUT VOLTAGE	MAX LOAD	PRICE
0-10V Dimmer	DIM-LD-010	Indoor	12V/24V DC	12V/24V DC	30 mA max. output (sink only)	\$ 120.00/ea

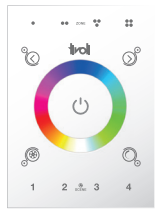
### DIMMING -MLV

DESCRIPTION	CAT NO	APPLICATION	INPUT VOLTAGE	OUTPUT VOLTAGE	MAX LOAD
MLV Dimmer	N-600	Indoor	120V AC	120V AC	450W
	N-1000				800W
	N-1500				1200W
	D-600				450W
	M-600				450W
	M-1000				800W

### DIMMING - ELV

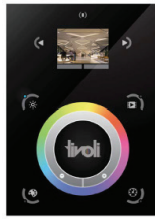
DESCRIPTION	CAT NO	APPLICATION	INPUT VOLTAGE	OUTPUT VOLTAGE	MAX LOAD
ELV Dimmer	ME-600	Indoor	120V AC	120V AC	450W
	DE-300				300W

## In-Wall Controls



Touchscreen

**TVOQ-1-WH**  
White



Touchscreen

**TVOQ-10-XX-7**  
XX = BK (Black), WH (White)



Touchscreen

**TVOQ-2-BK**  
Black