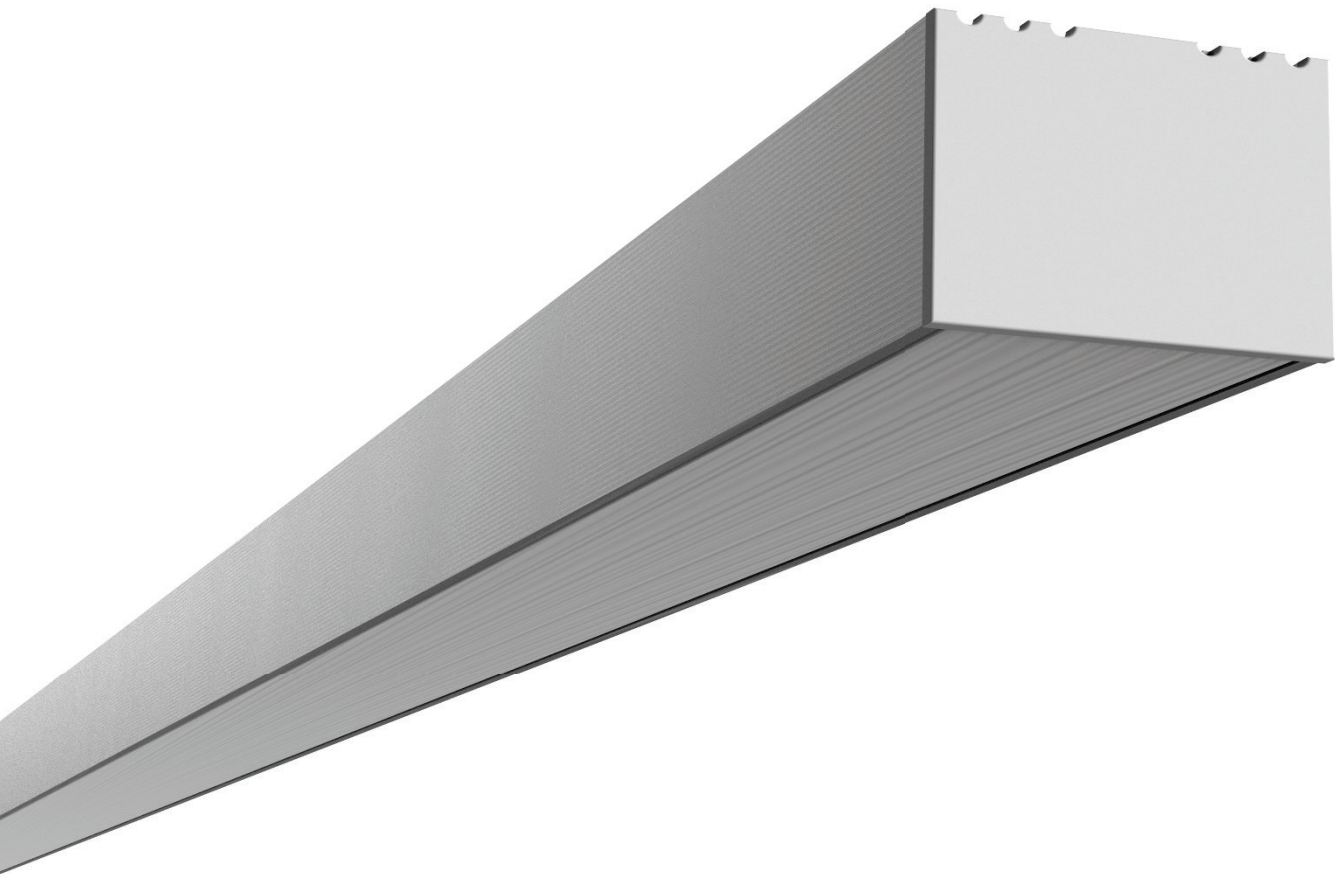
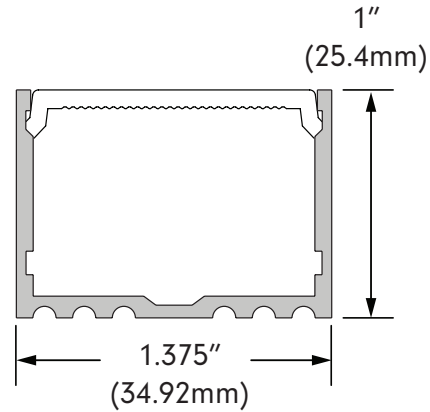
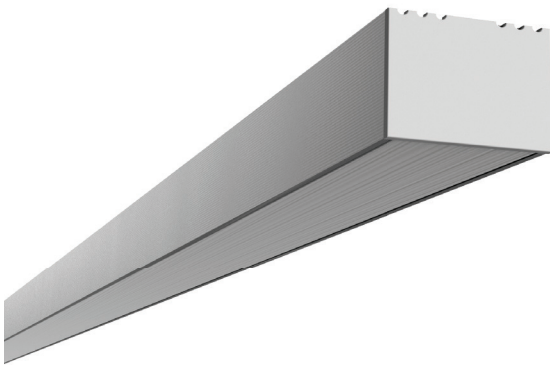


# ALTON

Design Guide



Profile & Dimensions



Available TivoTape Options - Indoor

**DEFINE**  
SB  
HO  
LB

**ELITE**  
SB  
HO  
VHO

**ELITE+**  
Plus  
Pro  
Vision  
Flow  
DUO

**FUSE24**  
RGB  
RGB+W  
RGB+W+W  
DW  
Pixle24 RGB  
Pixle24 RGBW

**FUSE12**  
PiXEL12 RGB

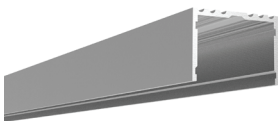
Available TivoTape Options - Outdoor

**DEFINE**  
SB  
HO  
LB

**FUSE24**  
RGB

**FUSE12**  
PiXEL12 RGB

Ordering Information



**ALTN-CHAN-SLV-6.5**  
Anodized Aluminum Extrusion,  
available in 6.5' lengths



**ALTN-LNS-XXX-6.5**  
**XXX = OPAL** (Opal), **CLR**  
(Clear), **DIF** (Diffused)  
lens, length 6.5'

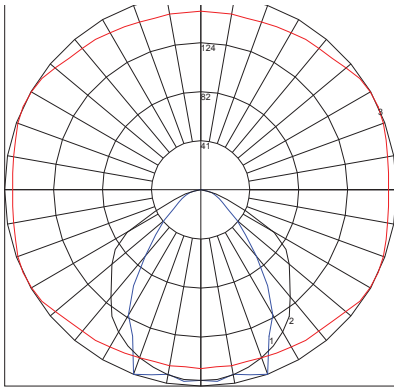


**ALTN-EC-01**  
Solid End Cap

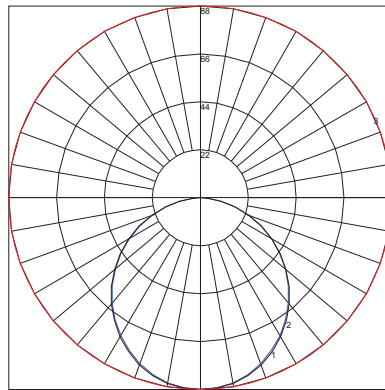


**ALTN-EC-02**  
Powerfeed End Cap

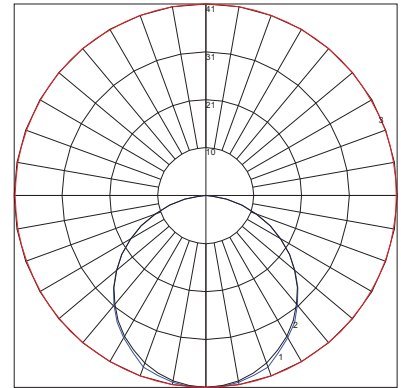
Photometrics (based on 30K HO ELITE)



**ALTON WITH CLEAR LENS**  
 Lumens per foot: 332.86  
 Watts per foot: 4  
 CRI : 94.8  
 Peak Candela: 164.97

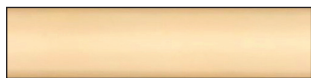


**ALTON WITH DIFFUSED LENS**  
 Lumens per foot: 248.85  
 Watts per foot: 4  
 CRI : 95.7  
 Peak Candela: 88.38



**ALTON WITH OPAL LENS**  
 Lumens per foot: 120.31  
 Watts per foot: 4  
 CRI : 98.1  
 Peak Candela: 41.24

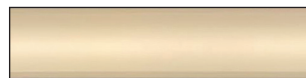
Diode Visibility



Opal lens



Clear lens



Diffused lens

