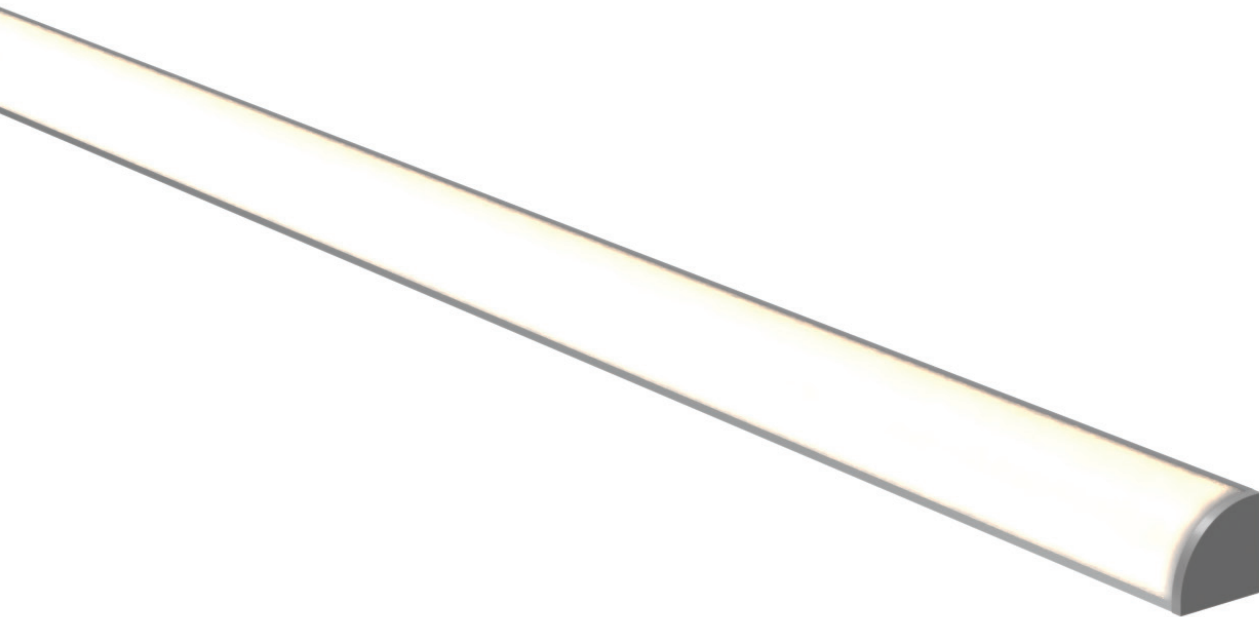
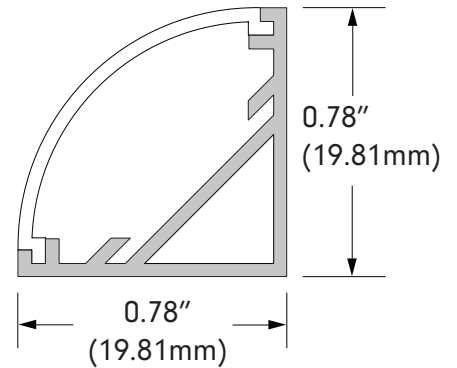
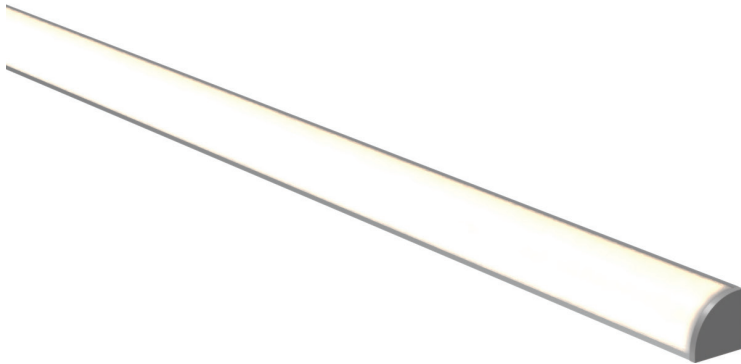


MARSALA

Design Guide



Profile & Dimensions



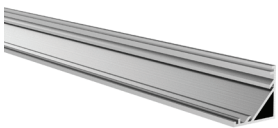
Available TivoTape Options - Indoor

<p>DEFINE SB HO LB</p>	<p>ELITE SB HO VHO</p>	<p>ELITE+ Plus Pro Vision Flow</p>	<p>COB LB HO</p>	<p>FUSE24 RGB RGB+W RGB+W+W DW Pixle24 RGB Pixle24 RGBW</p>	<p>FUSE12 Pixel12 RGB</p>
---	---	---	---------------------------------	--	--------------------------------------

Available TivoTape Options - Outdoor

<p>DEFINE SB HO</p>	<p>FUSE24 RGB</p>
------------------------------------	------------------------------

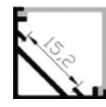
Ordering Information



MRSL-CHAN-SLV-6.5
Silver Anodized Aluminum
Extrusion, 6.5' Lengths



MRSL-LNS-XXX-6.5
XXX = OPL (Opal), **CLR**
(Clear), **DIF** (Diffused)
Round lens, length 6.5'



MRSL-LNS-SQ-XXX-6.5
XXX = OPL (Opal), **CLR**
(Clear), **DIF** (Diffused)
Square lens, length 6.5'



MRSL-CLP-SLV
Clip, Silver

Ordering Information



MRSLE-EC-01
Solid End Cap

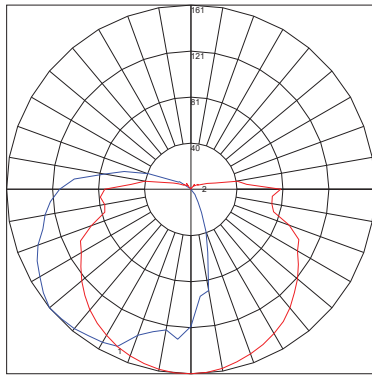


MRSLE-EC-02
Powerfeed End Cap

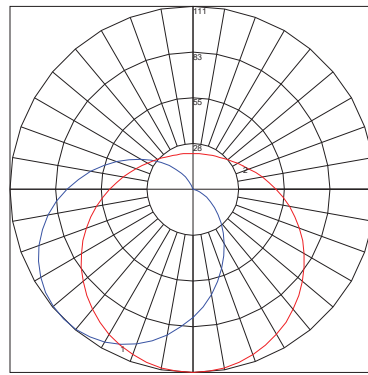


UNIV-ADJ-MTBK
Universal Adjustable Mounting
Bracket

Photometrics



MARSALA WITH CLEAR LENS
Lumens per foot: 435.52
Watts per foot: 4
CRI : 95.1
Peak Candela: 119.82



MARSALA WITH DIFFUSED LENS
Lumens per foot: 359.48
Watts per foot: 4
CRI : 95.7
Peak Candela: 110.98

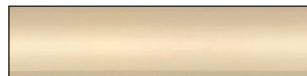
Diode Visibility



Opal lens



Clear lens



Diffused lens