



Features

- Switching electronic power supply
- Constant Voltage
- Universal input voltage: 100-277V AC
- Single and multiple 12V or 24V DC outputs
- NEMA 3R Rain-tight enclosure for wet locations
- 5 year warranty

Environmental

- MTBF: 100,000 hrs. at full load and 25°C
- Operating temperature: -40°C - +80°C (Full load)
- Storage temperature: -65°C - +90°C
- Heat dissipation: Convection

Mechanical Specification

- Steel enclosure
- Bracket mount and 1/2" knockouts for conduit and fittings

Electrical Data

- Secondary circuit maximum protection for Class 2 circuits: 5A for 12V DC 4A for 24V DC
- Voltage regulated
- Voltage regulated +/-3%
- Auto overload / short circuit / over voltage protection



Ordering Information

DESCRIPTION	CAT NO	APPLICATION	PRIMARY VOLTAGE	SECONDARY VOLTAGE	CIRCUIT BREAKERS	MAX LOAD	CIRCUIT CAPACITY	DIMENSION
ADNM Series Class 2 Transformer	ADNM-60-1-12-DOT	INDOOR / OUTDOOR	100-277V AC 5% Hz	12V DC	1	60W	5A	6" W X 8" L X 4" D
	ADNM-80-1-5-12-DOT				1	60W	5A	12.00" W X 12.00" L X 4.25" D
	ADNM-150-2-5-12-DOT				2	2x60W	2x5A	16.00" W X 16.00" L X 4" D
	ADNM-240-3-5-12-DOT				3	3x60W	3x5A	
	ADNM-320-4-5-12-DOT				4	4x60W	4x5A	
	ADNM-90-1-24-DOT			24V DC	1	90W	3.75A	6" W X 8" L X 4" D
	ADNM-120-1-4-24-DOT				1	96W	4A	12.00" W X 12.00" L X 4.25" D
	ADNM-240-2-4-24-DOT				2	2x96W	2x4A	
	ADNM-320-3-4-24-DOT				3	3x96W	3x4A	

ADNM-320-4-5-12-DOT

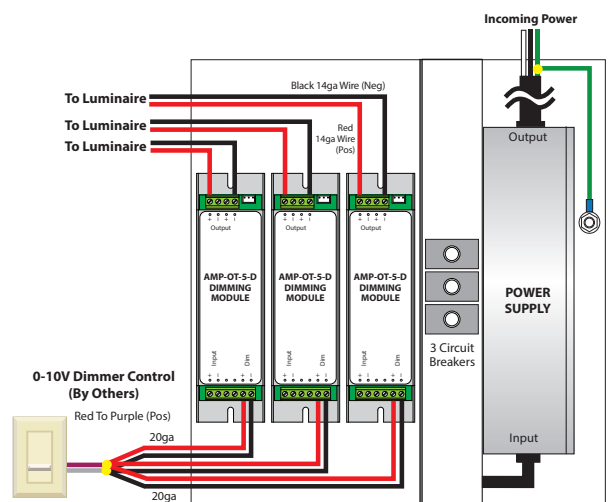
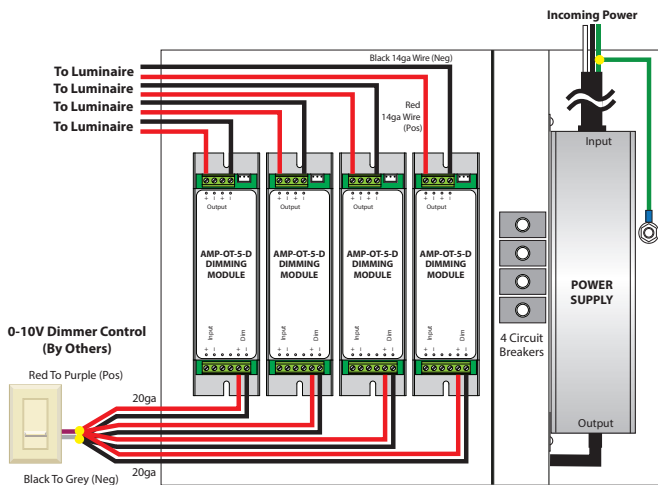
120-277V AC / 12V DC, 240W / 4 CIRCUITS X 5A

ADNM-240-3-5-12-DOT

120-277V AC / 12V DC, 180W / 3 CIRCUITS X 5A

ADNM-320-3-4-24-DOT

120-277V AC / 24V DC, 288W / 3 CIRCUITS X 4A

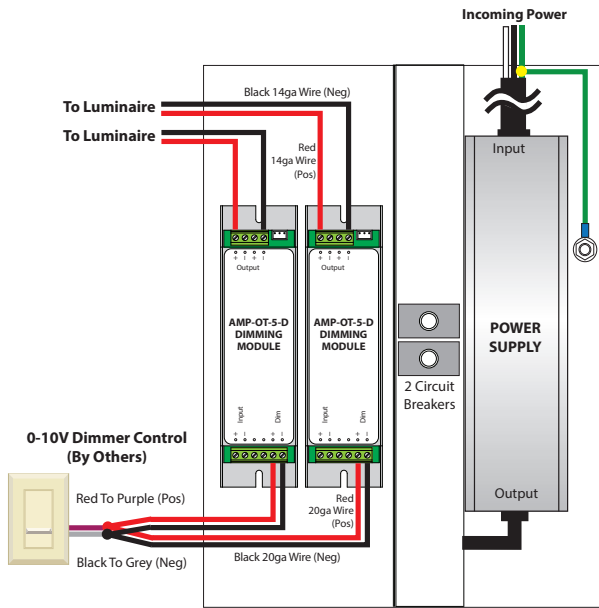


ADNM-150-2-5-12-DOT

120-277V AC / 12V DC, 120W / 2 CIRCUITS X 5A

ADNM-240-2-4-24-DOT

120-277V AC / 24V DC, 192W / 2 CIRCUITS X 4A

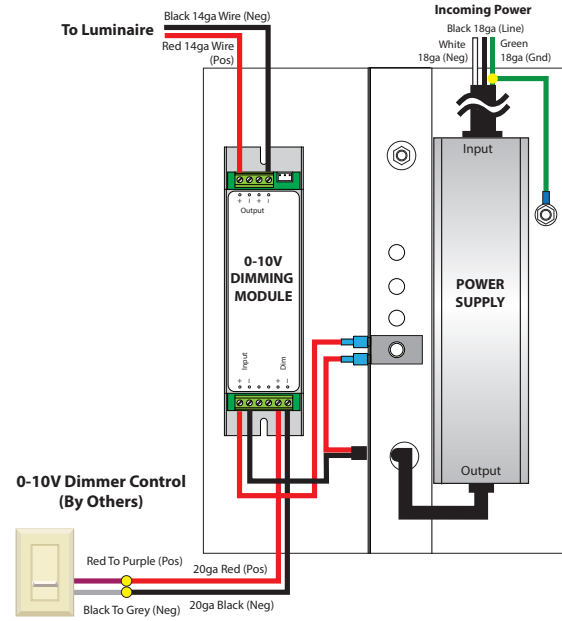


ADNM-80-1-5-12-DOT

120-277V AC / 12V DC, 60W / 1 CIRCUIT X 5A

ADNM-120-1-4-24-DOT

120-277V AC / 24V DC, 96W / 1 CIRCUIT X 4A



ADNM-60-1-5-12-DOT

120-277V AC / 12V DC, 60W / 1 CIRCUIT X 5A

ADNM-90-1-4-24-DOT

120-277V AC / 24V DC, 90W / 1 CIRCUIT X 4A

