

Use with Tivoli Variable (Tunable White) products.



**Features**

- Switching electronic power supply
- Constant Voltage
- Universal input voltage: 100-277V AC
- Single and multiple 12V or 24V DC outputs
- NEMA 3R Rain-tight enclosure for wet locations
- 5 year warranty

**Environmental**

- MTBF: 100,000 hrs. at full load and 25°C
- Operating temperature: -40°C - +80°C (Full load)
- Storage temperature: -65°C - +90°C
- Heat dissipation: Convection

**Mechanical Specification**

- Steel enclosure
- Bracket mount and 1/2" knockouts for conduit and fittings

**Electrical Data**

- Secondary circuit maximum protection for Class 2 circuits: 4A, 24V DC
- Voltage regulated
- Voltage regulated +/-3%
- Auto overload / short circuit / over voltage protection

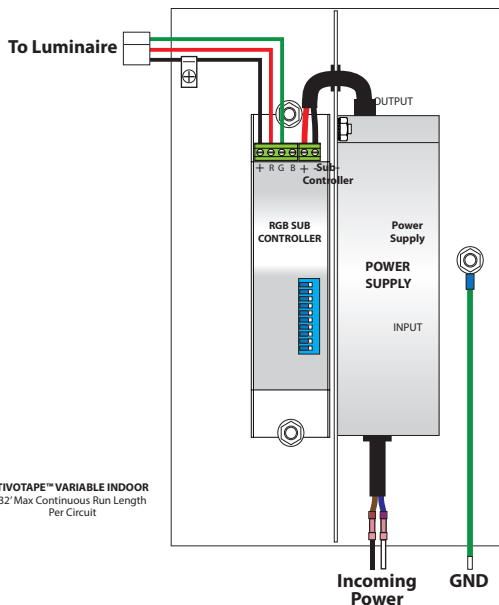
**Ordering Information**



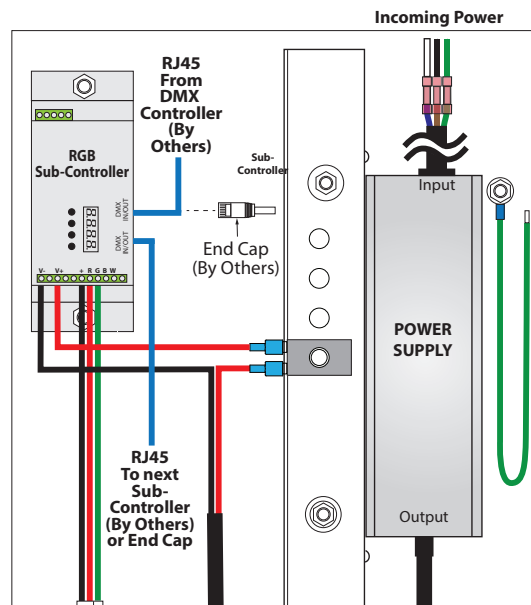
Single Sub-Controller (controls all circuits)

DESCRIPTION	CAT NO	APPLICATION	PRIMARY VOLTAGE	SECONDARY VOLTAGE	CIRCUIT BREAKERS	MAX LOAD	CIRCUIT CAPACITY	DIMENSION
ADNM Series Class 2 Transformer	ADNM-90-1-24-VW	INDOOR / OUTDOOR	100-277V AC 50/60 Hz	24V DC	1	90W	4A	6" W X 8" L X 4" D
	ADNM-120-1-4-24-VW				1	96W	4A	12.00" W X 12.00" L X 4.25" D
	ADNM-240-2-4-24-VW				2	2x96W	2x4A	
	ADNM-320-3-4-24-VW				3	3x96W	3x4A	16.00" W X 16.00" L X 4" D

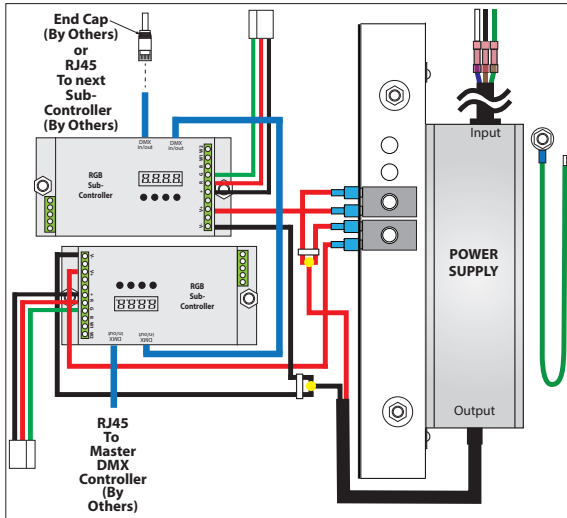
**ADNM-90-1-4-24-VW**  
Outdoor (NEMA 3 Rated)  
90W / 1 Circuit X 4A / 1 DMX controls all circuits  
Box Size: 6"W X 8.25"L X 4.50"D



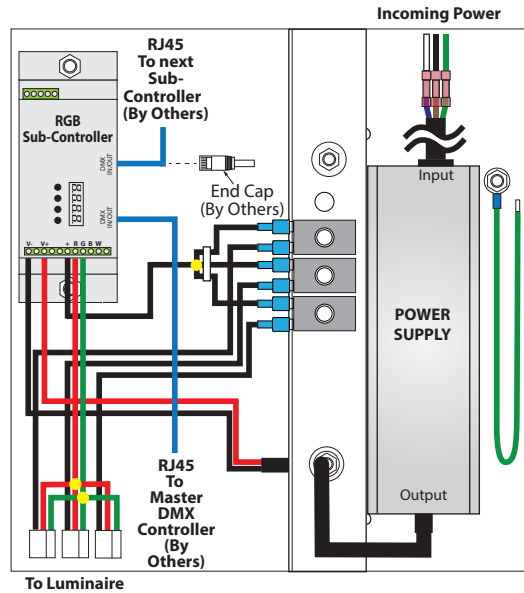
**ADNM-120-1-4-24-VW**  
Outdoor (NEMA 3 Rated)  
96W / 1 Circuit X 4A / 1 DMX controls all circuits  
Box Size: 12"W X 12"L X 4"D



**ADNM-240-2-4-24-VW**  
**Outdoor (NEMA 3 Rated)**  
 192W / 2 Circuit X 4A / 1 DMX controls all circuits  
 Box Size: 12"W X 12"L X 4"D



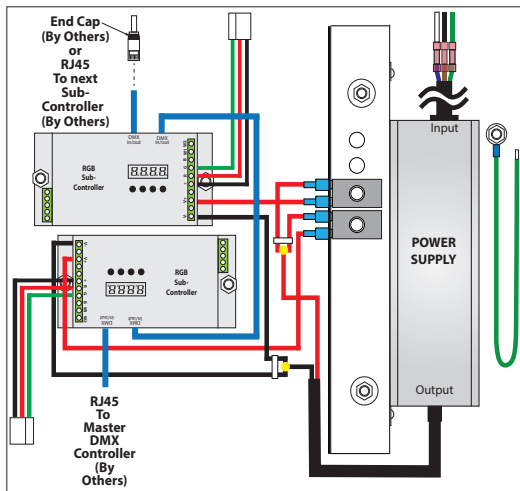
**ADNM-320-3-4-24-VW**  
**Outdoor (NEMA 3 Rated)**  
 288W / 3 Circuit X 4A / 1 DMX controls all circuits  
 Box Size: 16"W X 16"L X 4"D



Multi Sub-Controller (seperate control of each circuit)

DESCRIPTION	CAT NO	APPLICATION	PRIMARY VOLTAGE	SECONDARY VOLTAGE	CIRCUIT BREAKERS	MAX LOAD	CIRCUIT CAPACITY	DIMENSION
ADNM Series Class 2 Transformer	ADNM-240-2-4-24-VW-2	INDOOR / OUTDOOR	100-277V AC 50/60 Hz	24V DC	2	2x96W	2x4A	12.00"W X 12.00" L X 4.25" D
	ADNM-320-3-4-24-VW-3				3	3x96W	3x4A	16.00"W X 16.00" L X 4" D

**ADNM-240-2-4-24-VW-2**  
**Outdoor (NEMA 3 Rated)**  
 192W / 2 Circuit X 4A / 2 DMX controls 2 circuits  
 Box Size: 12"W X 12"L X 4"D



**ADNM-320-3-4-24-VW-3**  
**Outdoor (NEMA 3 Rated)**  
 288W / 3 Circuit X 4A / 3 DMX controls 3 circuits  
 Box Size: 16"W X 16"L X 4"D

