



**Features**

- Switching electronic power supply
- Constant Voltage
- Universal input voltage: 100-277V AC
- Single and multiple 12V or 24V DC outputs
- UL listed for dry/damp location box
- 5 year warranty

**Environmental**

- Operating temperature: -40°C to +80°C (Full load)
- Storage temperature: -65°C to +90°C
- Heat Dissipation: Convection

**Mechanical Specification**

- Steel enclosure
- Internal holes for wall mount and 1/2" knockouts for conduit and fittings
- NEMA 1 rated

**Electrical Data**

- Secondary circuit maximum protection for Class 2 circuits: 4A, 24V DC and 5A, 12V DC
- Voltage regulated
- Voltage regulated +/-3%
- Auto overload / short circuit / over voltage protection



Ordering Information

Single Sub-Controller (controls all circuits)

DESCRIPTION	CAT NO	APPLICATION	PRIMARY VOLTAGE	SECONDARY VOLTAGE	CIRCUIT BREAKERS	MAX LOAD	CIRCUIT CAPACITY	DIMENSION
ADUL Series Class 2 Transformer	ADUL-120-1-4-24-DIN	INDOOR / DAMP	100-277V AC 50/60 Hz	24V DC	1	96W	4A	12" W X 12" L X 4" D
	ADUL-240-2-4-24-DIN				2	2x96W	2x4A	
	ADUL-320-3-4-24-DIN				3	3x96W	3x4A	
	ADUL-80-1-5-12-DIN			12V DC	1	60W	5A	
	ADUL-150-2-5-12-DIN				2	2x60W	2x5A	
	ADUL-240-3-5-12-DIN				3	3x60W	3x5A	

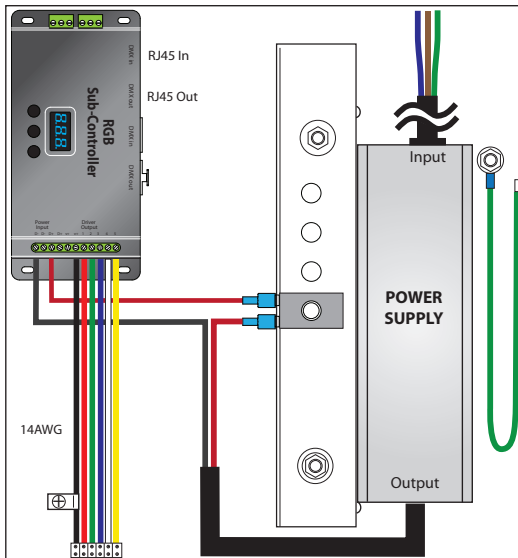
**ADUL-80-1-5-12-DIN**

100-277V AC / 12V DC, 60W /1 CIRCUIT X 5A

**ADUL-120-1-4-24-DIN**

100-277V AC / 24V DC, 96W /1 CIRCUIT X 4A

Box Size: 12" W X 12" L X 4" D (NEMA 1)



To Luminaire

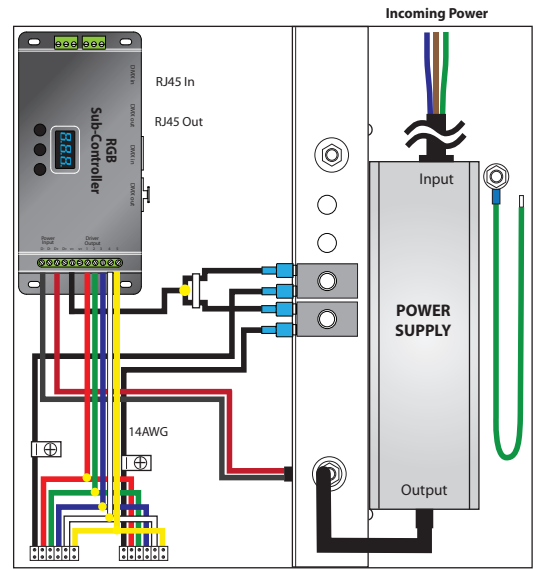
**ADUL-150-2-5-12-DIN**

100-277V AC / 12V DC, 120W /2 CIRCUITS X 5A

**ADUL-240-2-4-24-DIN**

100-277V AC / 24V DC, 192W /2 CIRCUITS X 4A

Box Size: 12" W X 12" L X 4" D (NEMA 1)



To Luminaire (2 Circuits)

# ADUL | NEMA 1 (DMX Color Mixing)

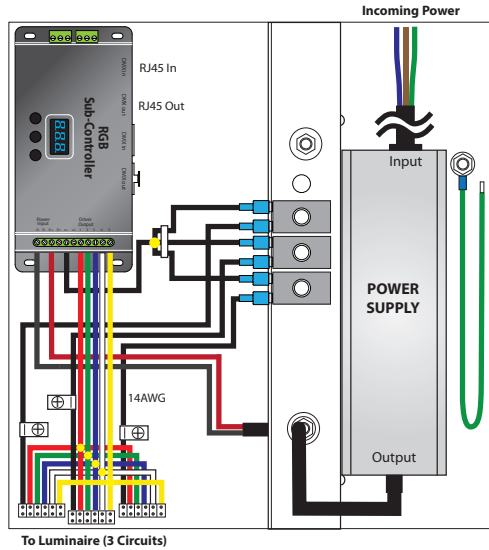
## ADUL-240-3-5-12-DIN

100-277V AC / 12V DC, 180W /3 CIRCUITS X 5A

## ADUL-320-3-4-24-DIN

100-277V AC / 12V DC, 288W /3 CIRCUITS X 4A

Box Size: 12"W X 12"L X 4"D (NEMA 1)



### Multi Sub-Controller (separate control of each circuit)

DESCRIPTION	CAT NO	APPLICATION	PRIMARY VOLTAGE	SECONDARY VOLTAGE	CIRCUIT BREAKERS	MAX LOAD	CIRCUIT CAPACITY	DIMENSION
ADUL Series Class 2 Transformer	ADUL-240-2-4-24-DIN-2	INDOOR / DAMP	100-277V AC 50/60 Hz	24V DC	2	2x96W	2x4A	12"W X 12"L X 4"D
	ADUL-320-3-4-24-DIN-3				3	3x96W	3x4A	16"W X 16"L X 4"D
	ADUL-150-2-5-12-DIN-2			12V DC	2	2x60W	2x5A	12"W X 12"L X 4"D
	ADUL-240-3-5-12-DIN-3				3	3x60W	3x5A	16"W X 16"L X 4"D

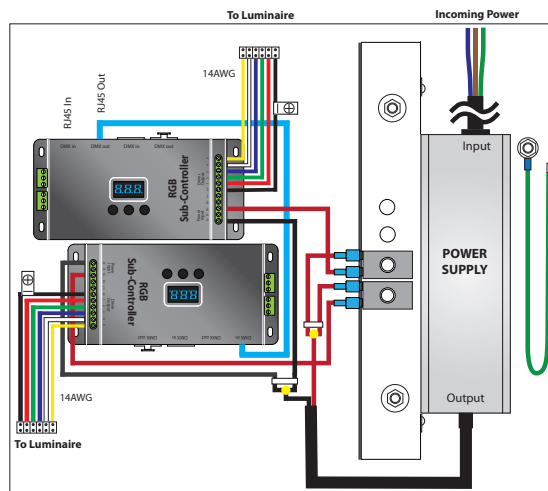
## ADUL-150-2-5-12-DIN-2

100-277V AC / 12V DC, 120W /2 CIRCUITS X 5A

## ADUL-240-2-4-24-DIN-2

100-277V AC / 12V DC, 192W /2 CIRCUITS X 4A

Box Size: 12"W X 12"L X 4"D (NEMA 1)



## ADUL-240-3-5-12-DIN-3

100-277V AC / 12V DC, 180W /3 CIRCUITS X 5A

## ADUL-320-3-4-24-DIN-3

100-277V AC / 24V DC, 288W /3 CIRCUITS X 4A

Box Size: 16"W X 16"L X 4"D (NEMA 1)

