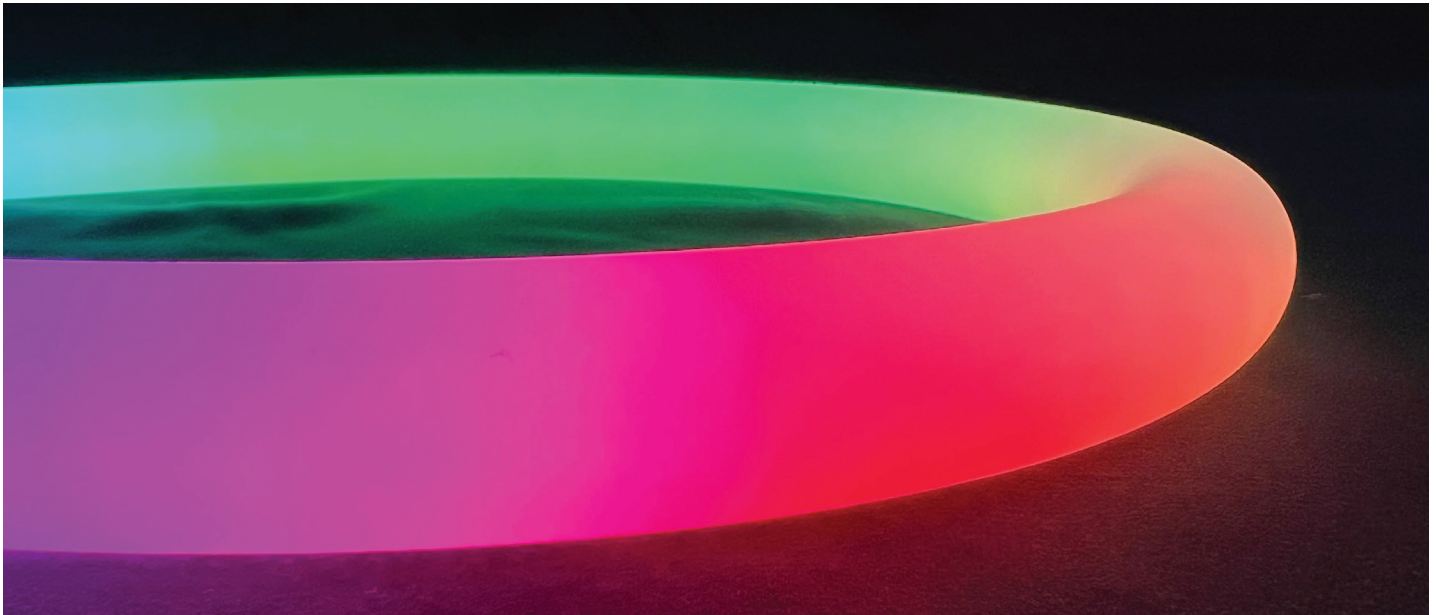


# Flexile LG

# DAYLIGHT



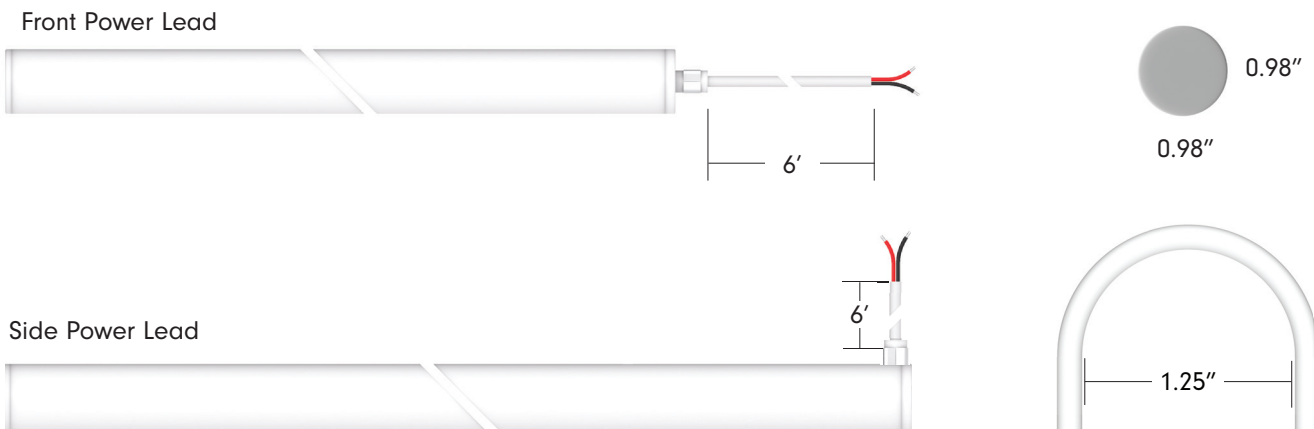


Project: \_\_\_\_\_ Type: \_\_\_\_\_

- Tivoli's Flexile has a new look! Flexile Daylight all white jacket with pixel control
- Compare to traditional neon 360° lighted surface illuminates uniformly without any shadowing
- High luminous efficiency with LM80 report
- Easily bend to any shape with superior flexibility
- UV Stabilized with food-grade environmental silicone housing (no yellowing or cracking)
- Resistance to saline solutions, acids, alkali, and corrosive gases
- Low Voltage 12V DC



**Dimensions**



**NOTE:** Total run length including power lead and fixture must not exceed 19'

Order Guide

PRODUCT CODE	PROFILE	POWER LEAD DIRECTION	LED COLOR	LENGTH	VOLTAGE
<b>FLXD</b>	<b>LG</b>		<b>RGB</b>		<b>12</b>
<b>FLXD</b> = Flexile Daylight 360° Light	<b>LG</b> = Large	<b>F</b> = Front <b>S</b> = Side	<b>RGB</b> = RGB mixing	<b>024</b> = 2' <b>048</b> = 4' <b>075</b> = 6' 3"	<b>12</b> = 12V DC

For custom cut lengths consult factory for lead time and MOQ

Extra Lead Prep

**FLX-XEP**

Extra lead wire for extended length.  
Sold per ft.

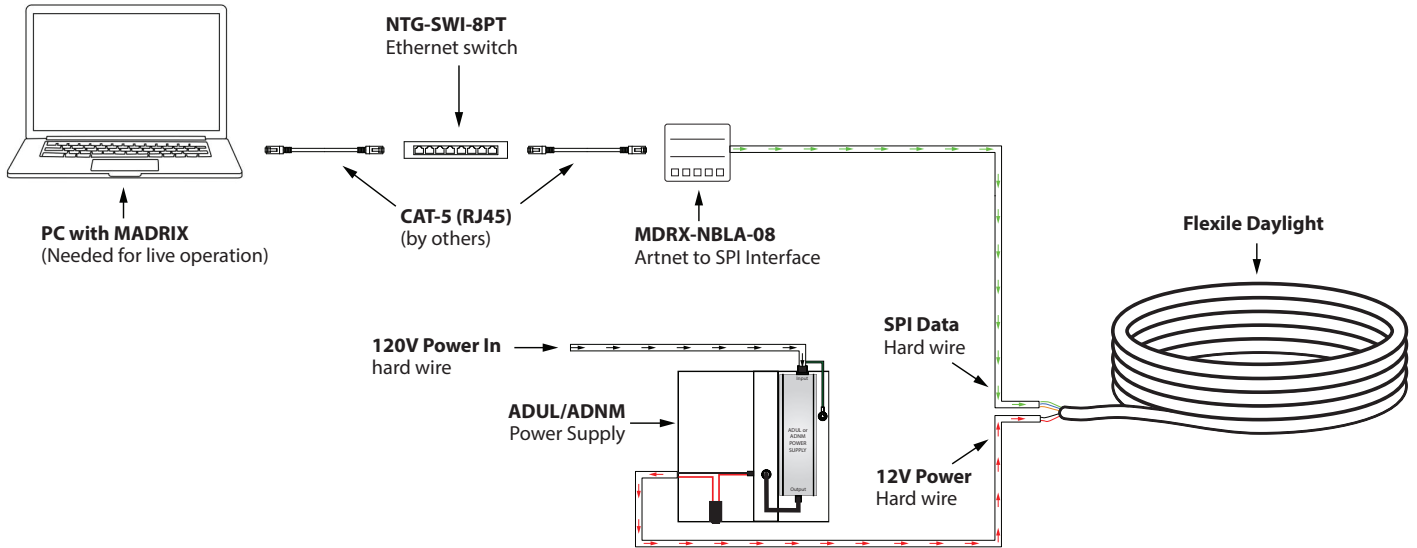
Specification

LED Intensity	Red	Green	Blue	White (All On)
Lumens (lm/ft)	46	83	16	145
Beam Angle	360°			
Electrical				
Dimming/Control	SPI			
Input Voltage	12V DC			
IC	WS2815			
Power Consumption (W/ft)	7.2			
Maximum Run Electrical	8'			
Maximum Run Data (1 Universe)	6' 3"			
Physical				
LED Package	3838			
LED/ft	27			
Sleeve Color	White			
Dimensions (DIA) Flexile	0.98"			
Cut Increments (factory cut only)	0.437"			
Bend Radius	1.25"			
Material (Flexile)	Flame, UV, Solvent, Saltwater Resistant Silicone			
Storage Temperature	-25°C / -13°F ~ +60°C / +140°F			
Working Temperature	-20°C / -4°F ~ 50°C / +122°F			
Certification and Testing				
Certification	CE, RoHS			
Environment	Damp/Wet rated fixture only			
IP Rating	IP65 rated fixture only			
Rated Hours (TM80)	70000 hrs.			
Warranty	5 Years			

Data Operation & Wiring Diagram Artnet to SPI ON-LINE operation

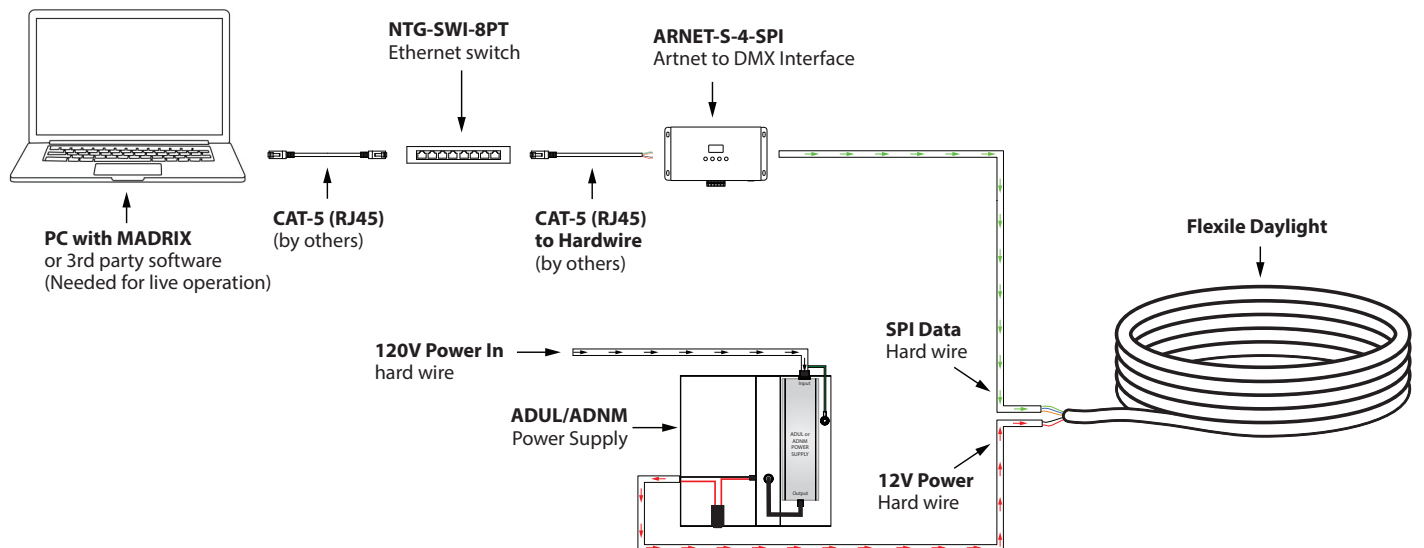
MDRX-NBLA (Live)

This is a live control performance setup using the MDRX-NBLA-XX interface. Widely used for concerts or performance-based manipulation. Use of a live network is necessary for communication between MADRIX 5 software and Flexile Midnight.



ARTNET-S (Live)

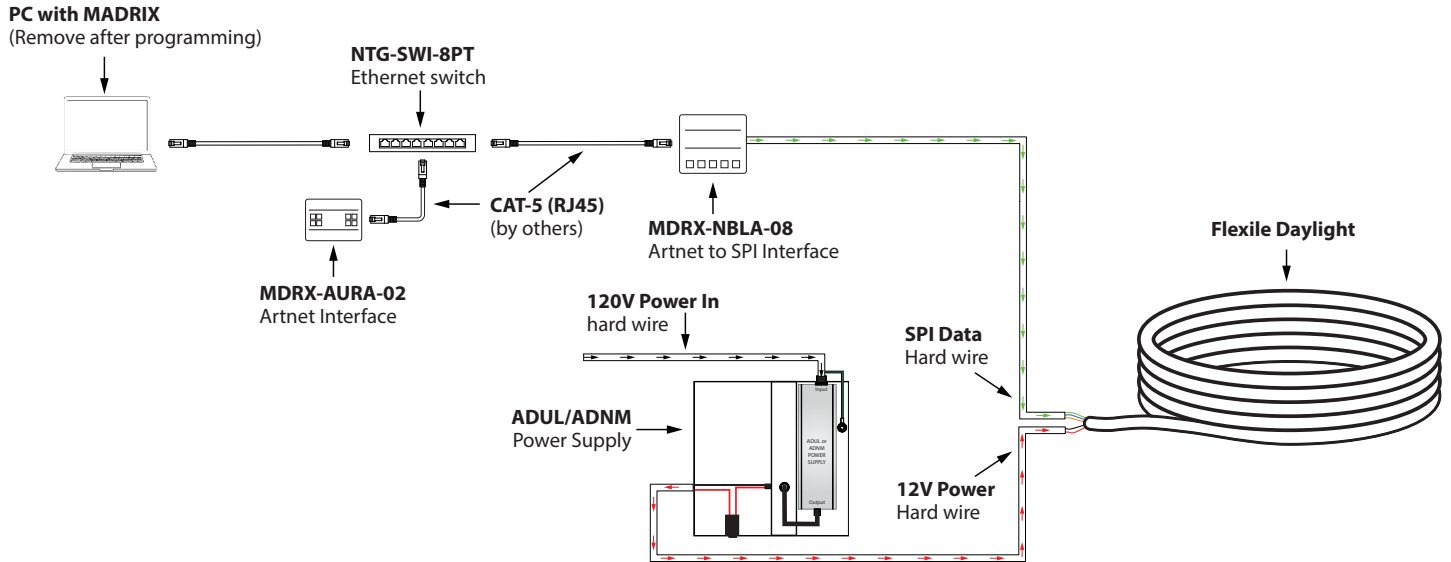
This is a live control performance setup using the ARTNET-S-X-SPI interface. Widely used for concerts or performance-based manipulation. Use of a live network is necessary for communication between MADRIX 5 software and Flexile Midnight.



Data Operation & Wiring Diagram Artnet to SPI OFF-LINE operation

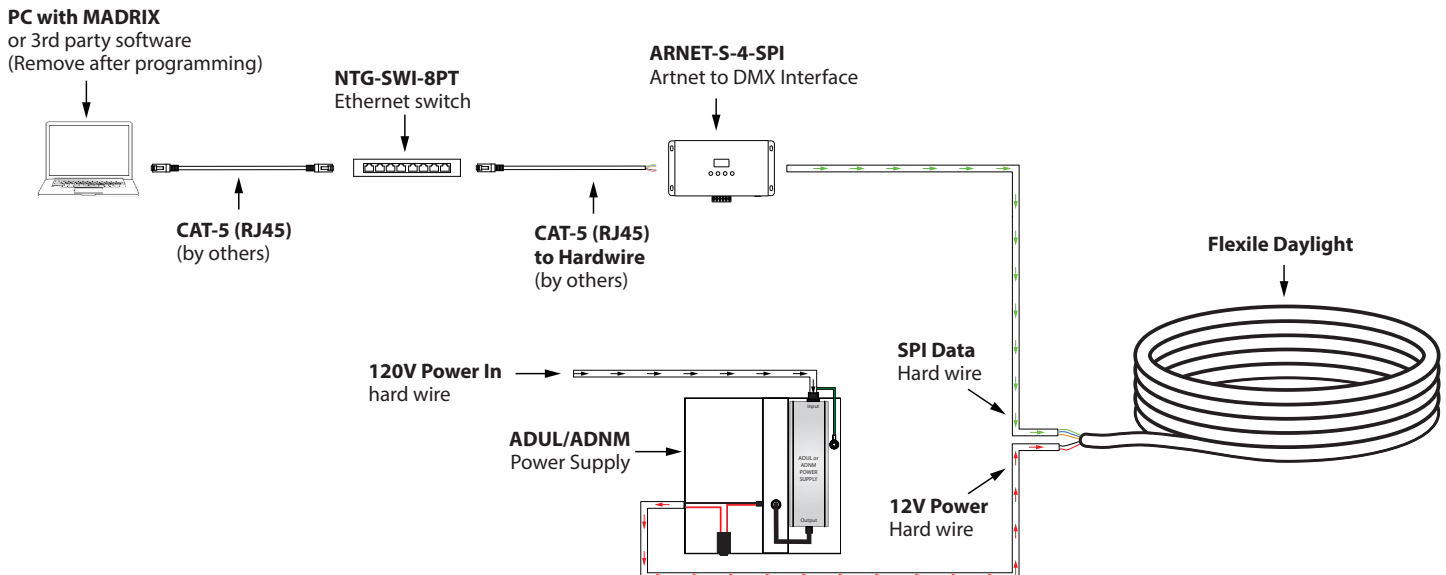
**MDRX-AURA (Preset)**

A stand-alone system with no need for support via network/software (MADRIX 5). Once scene playback is saved to AURA hardware via lighting software, PC/network can be removed from the system using only the AURA hardware to control playback. Please refer to the AURA specification for setup/record information.



**ARTNET-S (Preset)**

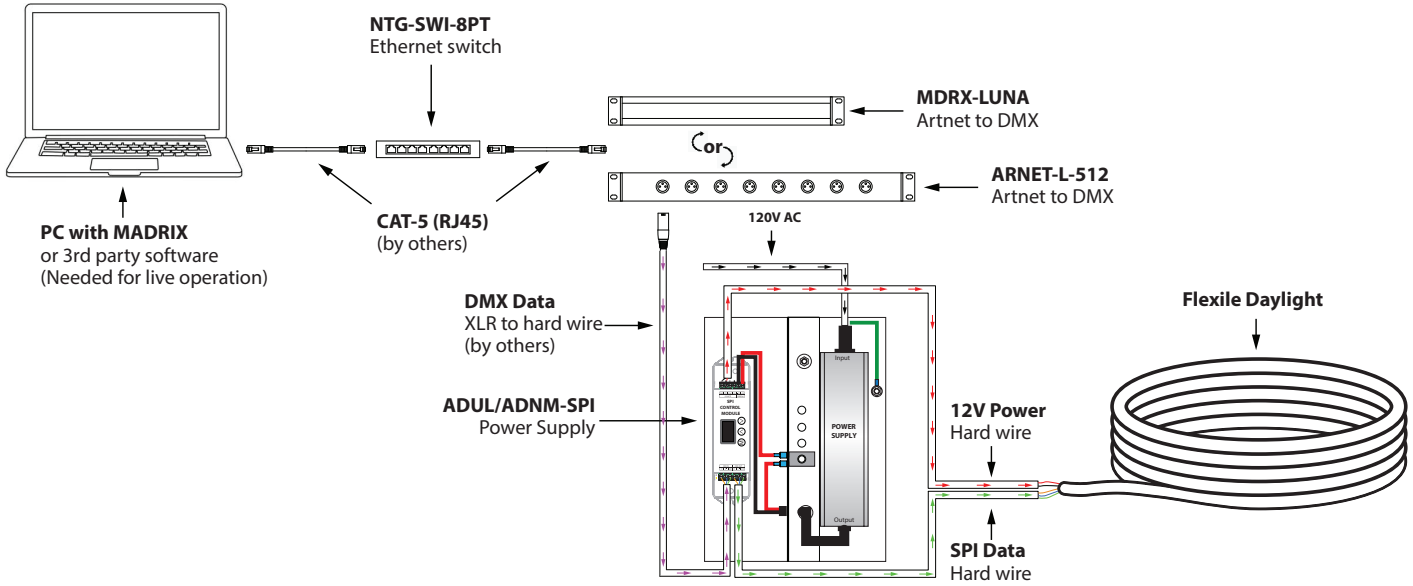
A stand-alone system with no need for support via network/software (MADRIX 5). Once scene playback is saved to ARTNET-S hardware via lighting software, PC/network can be removed from the system using only the ARTNET-S hardware to control playback. Please refer to the ARTNET-S specification for setup/record information.



Data Operation & Wiring Diagram DMX to SPI ON-LINE operation

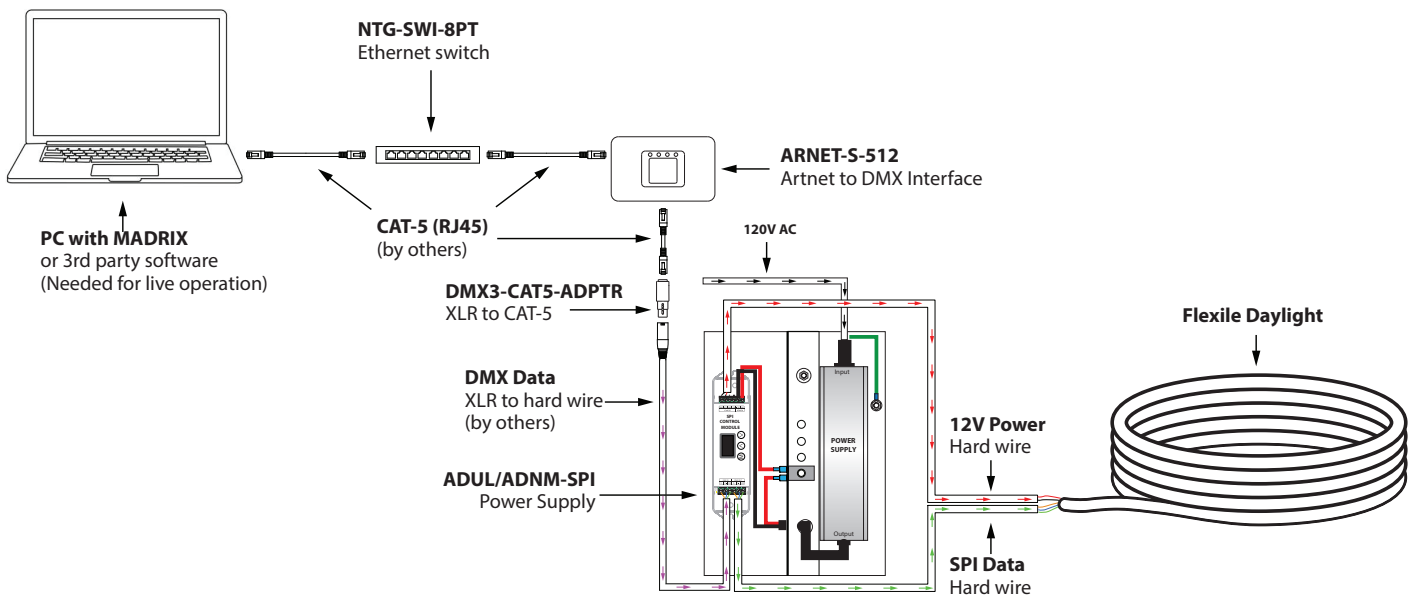
MDRX-LUNA or ARTNET-L (Live)

This is a live control performance setup using the MDRX-LUNA-XX or ARTNET-L-XX-512 interface. Widely used for concerts or performance-based manipulation. Use of a live network is necessary for communication between MADRIX 5 software and Flexile Midnight.



ARTNET-S (Live)

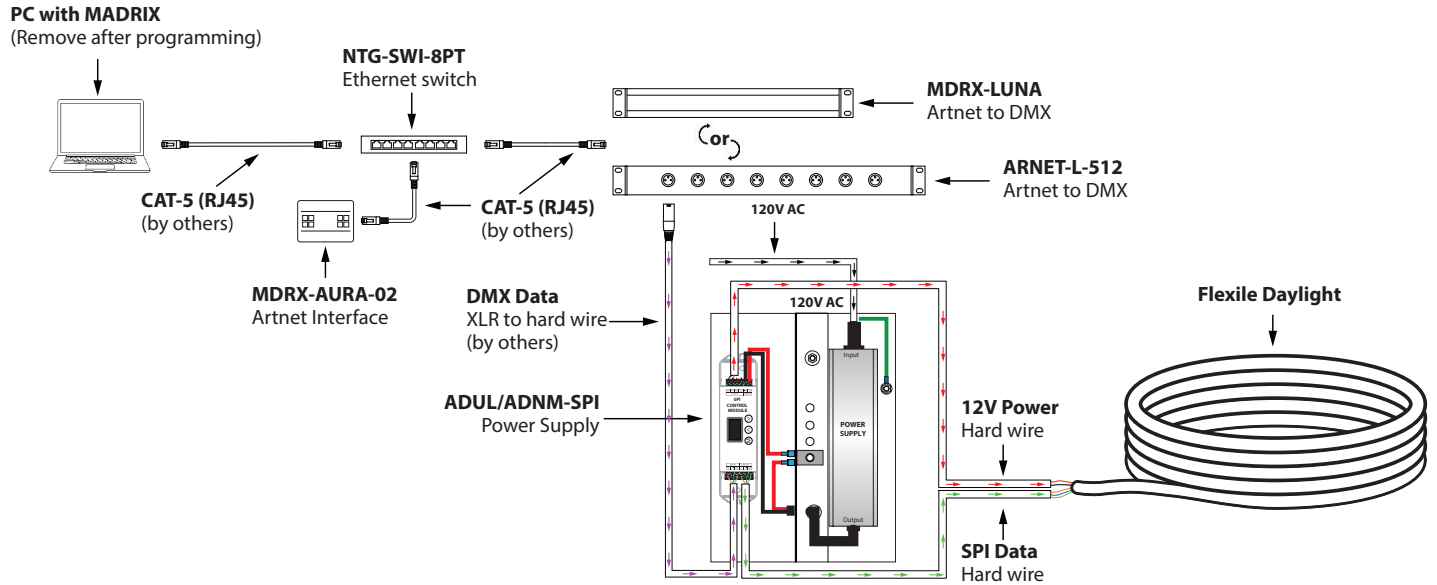
This is a live control performance setup using the ARTNET-S-X-512 interface. Widely used for concerts or performance-based manipulation. Use of a live network is necessary for communication between MADRIX 5 software and Flexile Midnight.



**Data Operation & Wiring Diagram DMX to SPI OFF-LINE operation**

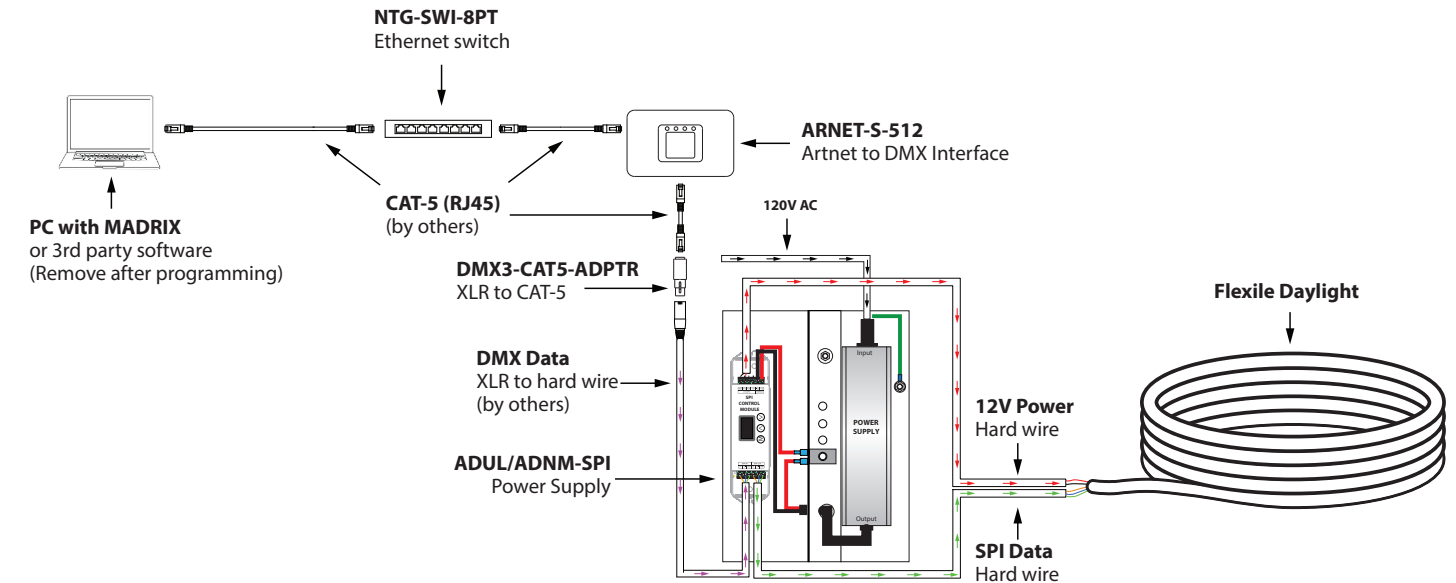
**MDRX-LUNA or ARTNET-L (Preset)**

A stand-alone system with no need for support via network/software (MADRIX 5). Once scene playback is saved to AURA hardware via lighting software, PC/network can be removed from the system using only the AURA to control playback. Integrate with MDRX-LUNA or ARTNET-L for DMX system. Please refer to the AURA, MDRX-LUNA or ARTNET-L-512 specification for setup and record information.



**ARTNET-S (Preset)**

A stand-alone system with no need for support via network/software (MADRIX 5). Once scene playback is saved to ARTNET-S-X512 hardware via lighting software, PC/network can be removed from the system using only the ARTNET-S-X512 to control playback. Please refer to the ARTNET-S-512 specification for setup and record information.



Controls



**ARTNET-S-8-512**  
8 port universe Artnet to DMX interface, 4096 DMX channels Programmable for playback and live support (Online or Offline option)



**MDRX-AURA-XX**  
**X = 02, 12, 32** (ports)  
MADRIX Aura is a stand-alone controller for up to 2, 12, or 32 universes per unit



**MDRX-NBLA-08**  
Up to 8 universes. SPI decoder receives control over ethernet network or USB delivering zero lag to your fixture



**ARTNET-S-X-SPI**  
**X = 4** (4 port), **8** (8 port)  
Artnet to SPI interface. Programmable for playback and live support (Online or Offline option)

Network Hardware



**MDRX-LUNA-XX**  
**XX = 04, 08, 16** (ports)  
MADRIX Luna 4, 8, 16 port universe Artnet to DMX interface 16 port 8192, 8 port 4096, 4 port 2048 DMX channels



**ARTNET-L-XX-512**  
**XX = 8, 16** (ports)  
8 or 16 port universe Artnet to DMX interface, 16 port 8192 DMX channels 8 port 4096 DMX channels

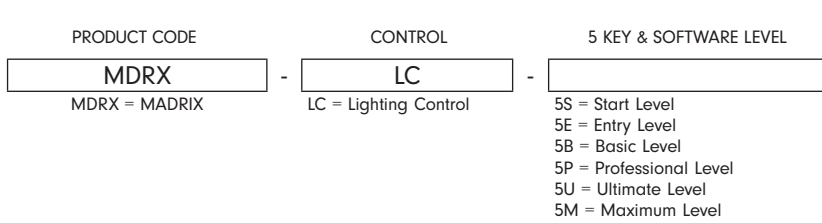


**NTG-SWI-XXPT**  
**XX = 8** (8 Port), **16** (16 Port)  
NETGEAR 16-Port gigabit Unmanaged Switch



**DMX3-F-CAT5-ADPTR**  
DMX adapter 3-pin XLR female to RJ45

Key & Software Levels



**MADRIX KEY**  
A USB dongle unlocks the software's full output. You can freely switch between different PCs as it is not bound to a specific one. It only needs to be activated online once.

**MADRIX 5 LICENSE UPGRADES**  
You can easily upgrade your MADRIX 5 KEY to any higher license at any time, increasing the available output.

Level	START	ENTRY	BASIC	PROFESSIONAL	ULTIMATE	MAXIMUM
MADRIX 5 Order Code	MDRX-LC-5S	MDRX-LC-5E	MDRX-LC-5B	MDRX-LC-5P	MDRX-LC-5U	MDRX-LC-5M
<b>DMX-Based Output</b>						
DMX Channels	1,024	4,096	16,384	65,536	262,144	1,048,576
DMX Universe Example	2	8	32	128	512	2,048
RGB Voxels Example	341	1,365	5,461	21,845	87,381	349,525
<b>DVI-Based Output</b>						
DVI Voxels	4,096	16,384	262,144	1,048,576	2,097,152	2,097,152
Render Resolution (Pixel x Pixel)	64 x 64	128 x 128	512 x 512	1,024 x 1,024	2,048 x 1,024	2,048 x 1,024

Mounting Options



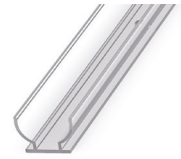
**FLX-LG-CL-CLIP**  
 PC clip closed 1  
 Mount spacing 15"  
 Bend diameter 2.5"  
 sold each



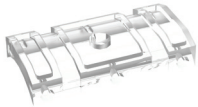
**FLX-LG-CL-CHAN**  
 PC channel closed 6.5  
 Bend diameter 2.5"  
 sold each



**FLX-LG-OP-CLIP**  
 PC clip open 2.36"  
 Mounting spacing 15"  
 Bend diameter 3"  
 \*sold each



**FLX-LG-OP-CHAN**  
 PC channel open 6.5"  
 Bend diameter 3"  
 \*sold each



**FLX-LG-MTBK-LP**  
 Clear low-profile polycarbonate surface mounting bracket  
 Includes: (2) brackets, (14) nails, and (5) zip ties



**FLX-LG-MTBK-SEMICIRCLE**  
 Natural aluminum metal surface mounting bracket  
 Includes: (2) bracket sets, (2) set screws and hardware



**FLX-LG-JOINR-CIR**  
 Natural aluminum metal joiner  
 Includes: (1) bracket and hardware



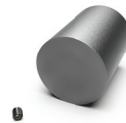
**FLX-LG-CL-JOINR**  
 Clear polycarbonate joiner  
 Includes: (1) bracket and hardware



**FLX-LG-TEL-MTBK-1**  
 Telescoping arm extends 13" - 24". Recommended on-center spacing of 12" for each bracket.



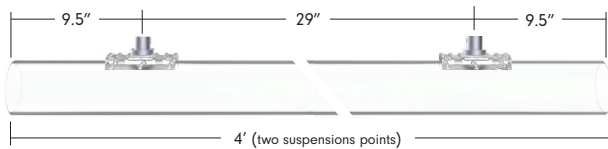
**FLX-LG-SUS-MTBK-1**  
 72" suspension cable with mounting hardware. Includes a 1.5" clear polycarbonate tube. Recommended spacing is 12" apart.



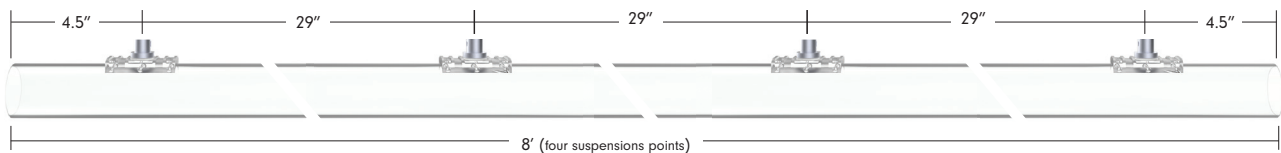
**FLX-LG-EC**  
 Metal End Cap  
 Natural aluminum finish  
 sold each



**FLX-LG-H-X-PNDT**  
**X = 4 (46"), 8 (96")**  
 Horizontal clear polycarbonate tube includes two 72" cables and hardware for 4', and four 72" cables and hardware for 8'



**FLX-LG-H-X-PNDT**  
**X = 4 (46"), 8 (96")**  
 Anchor point for 4' and 8'



Mounting Layout



Power Supplies Indoor

**ADUL - SPI CONTROL**

DESCRIPTION	CAT NO	APPLICATION	PRIMARY VOLTAGE	SECONDARY VOLTAGE	CIRCUIT BREAKERS	MAX LOAD	CIRCUIT CAPACITY
ADUL Series Class 2 Transformer	ADUL-60-1-5-12-SPI	Indoor or Damp	100-277V AC 5% <sub>60</sub> HZ	12V DC	1	60W	5A
	ADUL-150-2-5-12-SPI-2				2	2x60W	2x5A
	ADUL-240-3-5-12-SPI-3				3	3x60W	3x5A
	ADUL-320-4-5-12-SPI-4				4	4x60W	4x5A

**ADUL - NON DIMMING**

DESCRIPTION	CAT NO	APPLICATION	PRIMARY VOLTAGE	SECONDARY VOLTAGE	CIRCUIT BREAKERS	MAX LOAD	CIRCUIT CAPACITY
ADUL Series Class 2 Transformer	ADUL-80-1-5-12-D	Outdoor or Indoor	100-277V AC 5% <sub>60</sub> HZ	12V DC	1	60W	5A
	ADUL-150-2-5-12-D				2	2x60W	2x5A
	ADUL-240-3-5-12-D				3	3x60W	3x5A
	ADUL-320-4-5-12-D				4	4x60W	4x5A

Power Supplies Outdoor / Indoor

**ADNM - SPI CONTROL**

DESCRIPTION	CAT NO	APPLICATION	PRIMARY VOLTAGE	SECONDARY VOLTAGE	CIRCUIT BREAKERS	MAX LOAD	CIRCUIT CAPACITY
ADNM Series Class 2 Transformer	ADNM-60-1-5-12-SPI	Outdoor or Indoor	100-277V AC 5% <sub>60</sub> HZ	12V DC	1	60W	5A
	ADNM-150-2-5-12-SPI-2				2	2x60W	2x5A
	ADNM-240-3-5-12-SPI-3				3	3x60W	3x5A
	ADNM-320-4-5-12-SPI-4				4	4x60W	4x5A

**ADNM - NON DIMMING**

DESCRIPTION	CAT NO	APPLICATION	PRIMARY VOLTAGE	SECONDARY VOLTAGE	CIRCUIT BREAKERS	MAX LOAD	CIRCUIT CAPACITY
ADNM Series Class 2 Transformer	ADNM-60-1-5-12-D	Outdoor or Indoor	100-277V AC 5% <sub>60</sub> HZ	12V DC	1	60W	5A
	ADNM-80-1-5-12-D				1	80W	5A
	ADNM-150-2-5-12-D				2	2x60W	2x5A
	ADNM-240-3-5-12-D				3	3x60W	3x5A
	ADNM-320-4-5-12-D				4	4x60W	4x5A